

AC/DC Compact PCI Power Supplies

XPiQ inc.

Intelligent Design Quality Product

**175 Watts
ICA/ICD175 Series**



- Industry Standard
-
- AC or DC Input Versions
-
- Power Factor Corrected
-
- Hot Swap Capability
-
- Active Current Share
-
- International Safety Approvals
-
- PICMG 2.11 Compatible

Specification

Input

- AC Input Voltage • 90-264 VAC,
- Input Frequency • 47-63 Hz
- Power Factor • 0.99 typical
- Inrush Current • <40 A cold start at 120 VAC
- Start-Up time • < 500ms All outputs within 10ms of each other
- DC Input Voltage • 36-72 VDC and 18-36 VDC

Output

- Output Voltage • +5 V, +3.3 V, ± 12 V
- Output Power • 175W see table
- Output Voltage Adjustment • $\pm 10\%$ on 5 V and 3.3 V outputs
- Minimum Load • 2 A on 5 V output
- Line Regulation • $\pm 0.3\%$ for all models
- Load Regulation • $\pm 1\%$ for 5 V, $\pm 2\%$ all others (from 10% to full load)
- Ripple and Noise • 100mV or 1% max which ever value is greater
- Transient Response • 5% max deviation, 500us recovery time for a 50% load change
- Temperature Coefficient • 0.05%/°C
- Hold up Time (AC Input Only) • >16ms for ICA 175
- Remote Sense • On V_1 and V_2
- Current Sharing • Single wire for V_1 and V_2
- Overvoltage Protection • 120% of nominal, recycle input to reset

- Overcurrent Protection • All outputs protected against overload and short circuit conditions
- Overtemperature Protection • Shutdown at 95°C (internal heatsink) with auto restart

General

- Efficiency • 75% typical
- Switching Frequency • 100 kHz
- MTBF • 100,000 hrs min
- Signals • Inhibit, Fail, Adjust per PICMG 2.11 R1.0
- Size • Standard CPCI, 3U, 8HP
- Weight • 850 grams

Environmental

- Operating Temperature • 0°C to 70°C with derating
- Cooling • 15CFM required for full power from 0°C to 40°C, derate linearly from 100% load at 40°C to 50% load at 70°C
- Storage Temperature • -40°C - +85°C

Safety and EMC

- Safety Approvals • UL1950, CSA C22.2 No 950, EN60950 CE Mark LVD
- EMI/EMC • Meets EN61000-3-2, -3
175 W meets EN55022 Class A radiated and conducted
- Immunity and Surge • Meets EN50082-2 (EN61000-4-2, -3, -6, -8)
- Warranty • 1 year

OUTPUT VOLTAGE & CURRENT RATINGS

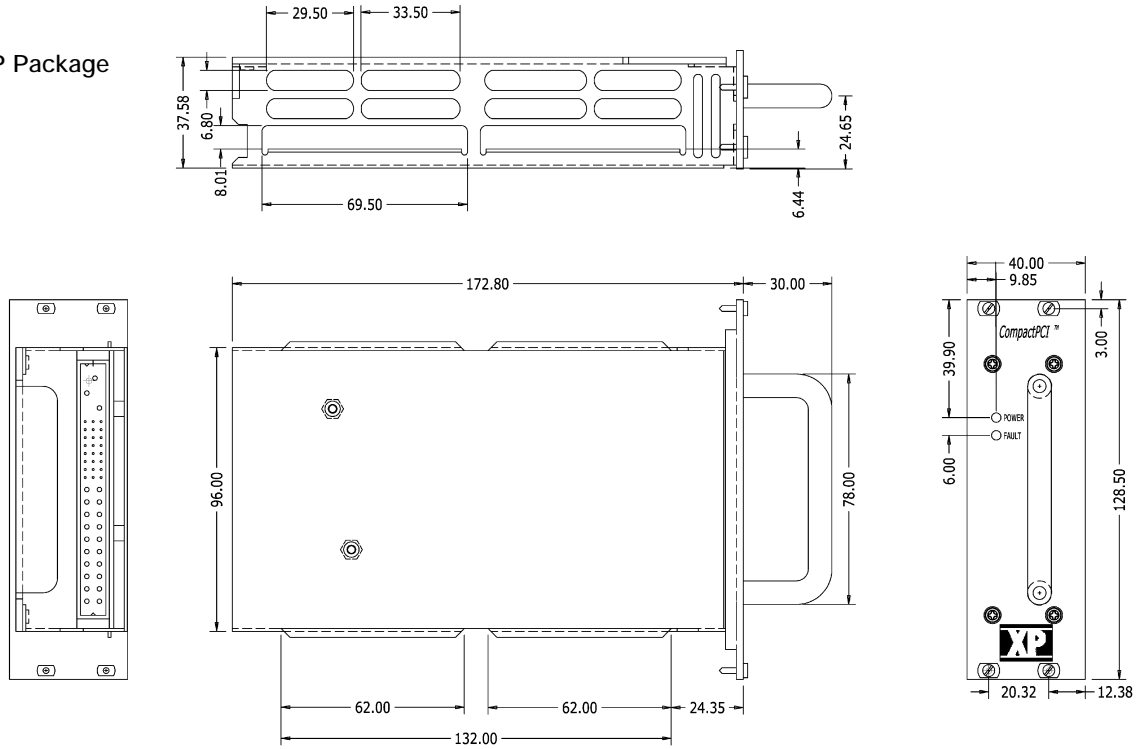
ICA/ICD 175

Output Power	Output 1	Output 2	Output 3	Output 4	Input	Model
175 Watts	+5 V at 25 A	+3.3 V at 25 A	+12 V at 3 A	-12 V at 1 A	36-72 VDC	ICD175-42-3HP
175 Watts	+5 V at 25 A	+3.3 V at 25 A	+12 V at 3 A	-12 V at 1 A	18-36 VDC	ICD175-42-3MP
175 Watts	+5 V at 25 A	+3.3 V at 25 A	+12 V at 3 A	-12 V at 1 A	90-264 VAC	ICA175-42-3P

* Combined 5 V & 3 V current: 27 A Max.

Mechanical Details

3U 8HP Package



Output connector is Positronic PCI47M400A1
Mating connector is Positronic PCI4F300A1