

1. Overview

1.1 Features

The M16C/5M and M16C/57 Group's microcomputers (MCUs) are single-chip control units that utilize high-performance silicon gate CMOS technology with the M16C/60 Series CPU core. The M16C/5M Group and M16C/57 Group are available in 64-pin, 80-pin, and 100-pin plastic molded LQFP packages. The MCUs employ sophisticated instructions for a high level of efficiency and they are capable of executing instructions at high speed.

The MCUs have the CAN module (M16C/5M Group) and LIN module, which makes them suitable for automotive control and factory automation LAN systems. In addition, the CPU core boasts a multiplier and DMAC for high-speed operation processing which makes it adequate for controlling office equipment, home appliances, and industrial equipment.

The M16C/5M and M16C/57 Group's MCUs are a high-end microcontroller series in the M16C/5L and M16C/56 Group, featuring a single architecture as well as compatible pin assignments and peripheral functions. They have an on-chip E²PROM emulation data flash (E²dataFlash) which is a data flash with serial E²PROM.

1.1.1 Applications

Automotive, car audio, factory automation LAN system, etc.

1.2 Specifications

Table 1.1 to Table 1.6 list specifications of the M16C/5M Group, M16C/57 Group.

Table 1.1 Specifications (100-pin Package) (1/2)

Item	Function	Specification
CPU	Central processing unit	M16C/60 Series CPU Core (Multiplier: 16 × 16 → 32 bits, Multiply-accumulate unit: 16 × 16 + 32 → 32 bits) <ul style="list-style-type: none"> • Basic instructions: 91 • Minimum instruction execution time: • Operating mode: Single-chip mode
Memory	ROM, RAM, data flash, E ² dataFlash	See Table 1.7 to Table 1.10.
Voltage Detection	Voltage detector	<ul style="list-style-type: none"> • 2 voltage detect points
Clock	Clock generator	<ul style="list-style-type: none"> • 5 circuits (Main clock, sub clock, PLL frequency synthesizer, 125 kHz on-chip oscillator, 40 MHz on-chip oscillator) • Oscillation stop detector: Main clock oscillator stop/restart detection • Frequency divide circuit: Divide-by-1, 2, 4, 8, or 16 selectable • Low-power consumption modes: Wait mode, stop mode • Real-time clock
I/O Ports	Programmable I/O ports	<ul style="list-style-type: none"> • 70 CMOS inputs/outputs, a pull-up resistor selectable • N-channel open drain ports: 1
Interrupts		<ul style="list-style-type: none"> • Interrupt vectors: 70 • External interrupt inputs: 13 ($\overline{\text{NMI}}$, $\overline{\text{INT}} \times 8$, key input × 4) • Interrupt priority levels: 7
Watchdog Timer		<ul style="list-style-type: none"> • 15 bits × 1 (with prescaler) • Automatic reset start function selectable • Dedicated 125 kHz on-chip oscillator for the watchdog timer contained
DMA	DMAC	<ul style="list-style-type: none"> • 4 channels, Cycle-steal transfer mode • Trigger sources: 50 • Transfer modes: 2 (single transfer, repeat transfer)
Timers	Timer A	16-bit timer × 5 Timer mode, event counter mode, one-shot timer mode, pulse-width modulation (PWM) mode Two-phase pulse signal processing in event counter mode (two-phase encoder input) × 3 Programmable output mode × 3
	Timer B	16-bit timer × 6 Timer mode, event counter mode, pulse frequency measurement mode, pulse-width measurement mode
	Timer function for three-phase motor control	Three-phase motor control timer × 1 (timers A1, A2, A4, and B2 used) On-chip dead time timer
	Timer S (Input capture/output compare)	<ul style="list-style-type: none"> • 16-bit timer × 1 (base timer) • I/O: 8 channels
	Task monitoring timer	16-bit timer × 1 channel
	Real-time clock	Count: seconds, minutes, hours, weeks
Serial Interface	UART0 to UART4	4 channels (UART, clock synchronous serial interface) 1 channels (UART, clock synchronous serial interface, I ² C-bus, IEBus)
Multi-master I ² C-bus Interface		1 channel
A/D Converter		10-bit resolution × 26 channels
D/A Converter		8-bit resolution × 1 channel

Table 1.2 Specifications (100-pin Package) (2/2)

Item	Function	Specification
CRC Calculator		<ul style="list-style-type: none"> • 1 circuit • CRC-CCITT ($X^{16} + X^{12} + X^5 + 1$), CRC-16 ($X^{16} + X^{15} + X^2 + 1$) compliant • MSB/LSB selectable
Serial Bus Interface		1 channel <ul style="list-style-type: none"> • Clock synchronous serial communication mode • 4-wire bus communication mode • Programmable character length: 8 to 16 bits
LIN Module		1 channel
CAN Module		32-slot message buffer × 2 channels or 1 channel (M16C/5M Group) ⁽¹⁾
Flash Memory		<ul style="list-style-type: none"> • Programming and erasure supply voltage: 3.0 to 5.5 V • Programming and erasure endurance: 1,000 times (program ROM 1, program ROM 2)/10,000 times (data flash) • Program security: ROM code protect, ID code check
E ² dataFlash		Programming and erasure endurance: 100,000 ⁽¹⁾
Debug Functions		On-board flash rewrite function, address match × 4
Operating Frequency/Power Supply Voltage		32 MHz / 3.0 to 5.5 V
Current Consumption		Described in 31. "Electrical Characteristics"
Operating Temperature		-40°C to 85°C -40°C to 125°C ⁽¹⁾
Package		100-pin plastic mold LQFP: PLQP0100KB-A (Previous package code: 100P6Q-A)

Note:

1. Refer to Table 1.7 "M16C/5M Group Product List (J-Version)" to Table 1.10 "M16C/57 Group Product List (K-Version)" for Operating Temperature, CAN Module, and E²dataFlash.

Table 1.3 Specifications (80-pin Package) (1/2)

Item	Function	Specification
CPU	Central processing unit	M16C/60 Series CPU Core (Multiplier: 16 × 16 → 32 bits, Multiply-accumulate unit: 16 × 16 + 32 → 32 bits) <ul style="list-style-type: none"> • Basic instructions: 91 • Minimum instruction execution time: • Operating mode: Single-chip mode
Memory	ROM, RAM, data flash, E ² dataFlash	See Table 1.7 to Table 1.10.
Voltage Detection	Voltage detector	<ul style="list-style-type: none"> • 2 voltage detect points
Clock	Clock generator	<ul style="list-style-type: none"> • 5 circuits (Main clock, sub clock, PLL frequency synthesizer, 125 kHz on-chip oscillator, 40 MHz on-chip oscillator) • Oscillation stop detector: Main clock oscillator stop/restart detection • Frequency divide circuit: Divide-by-1, 2, 4, 8, or 16 selectable • Low-power consumption modes: Wait mode, stop mode • Real-time clock
I/O Ports	Programmable I/O ports	<ul style="list-style-type: none"> • 70 CMOS inputs/outputs, a pull-up resistor selectable • N-channel open drain ports: 1
Interrupts		<ul style="list-style-type: none"> • Interrupt vectors: 70 • External interrupt inputs: 11 ($\overline{\text{NMI}}$, $\overline{\text{INT}} \times 6$, key input × 4) • Interrupt priority levels: 7
Watchdog Timer		<ul style="list-style-type: none"> • 15 bits × 1 (with prescaler) • Automatic reset start function selectable • Dedicated 125 kHz on-chip oscillator for the watchdog timer contained
DMA	DMAC	<ul style="list-style-type: none"> • 4 channels, Cycle-steal transfer mode • Trigger sources: 43 • Transfer modes: 2 (single transfer, repeat transfer)
Timers	Timer A	16-bit timer × 5 Timer mode, event counter mode, one-shot timer mode, pulse-width modulation (PWM) mode Two-phase pulse signal processing in event counter mode (two-phase encoder input) × 3 Programmable output mode × 3
	Timer B	16-bit timer × 3 Timer mode, event counter mode, pulse frequency measurement mode, pulse-width measurement mode
	Timer function for three-phase motor control	Three-phase motor control timer × 1 (timers A1, A2, A4, and B2 used) On-chip dead time timer
	Timer S (Input capture/output compare)	<ul style="list-style-type: none"> • 16-bit timer × 1 (base timer) • I/O: 8 channels
	Task monitoring timer	16-bit timer × 1 channel
	Real-time clock	Count: seconds, minutes, hours, weeks
Serial Interface	UART0 to UART4	4 channels (UART, clock synchronous serial interface) 1 channels (UART, clock synchronous serial interface, I ² C-bus, IEBus)
Multi-master I ² C-bus Interface		1 channel
A/D Converter		10-bit resolution × 27 channels
D/A Converter		8-bit resolution × 1 channel

Table 1.4 Specifications (80-pin Package) (2/2)

Item	Function	Specification
CRC Calculator		<ul style="list-style-type: none"> • 1 circuit • CRC-CCITT ($X^{16} + X^{12} + X^5 + 1$), CRC-16 ($X^{16} + X^{15} + X^2 + 1$) compliant • MSB/LSB selectable
Serial Bus Interface		1 channel <ul style="list-style-type: none"> • Clock synchronous serial communication mode • 4-wire bus communication mode • Programmable character length: 8 to 16 bits
LIN Module		1 channel
CAN Module		32-slot message buffer × 2 channels or 1 channel (M16C/5M Group) ⁽¹⁾
Flash Memory		<ul style="list-style-type: none"> • Programming and erasure supply voltage: 3.0 to 5.5 V • Programming and erasure endurance: 1,000 times (program ROM 1, program ROM 2)/10,000 times (data flash) • Program security: ROM code protect, ID code check
E ² dataFlash		Programming and erasure endurance: 100,000 ⁽¹⁾
Debug Functions		On-board flash rewrite function, address match × 4
Operating Frequency/Power Supply Voltage		32 MHz / 3.0 to 5.5 V
Current Consumption		Described in 31. "Electrical Characteristics"
Operating Temperature		-40°C to 85°C -40°C to 125°C ⁽¹⁾
Package		80-pin plastic mold LQFP: PLQP0080KB-A (Previous package code: 80P6Q-A)

Note:

1. Refer to Table 1.7 "M16C/5M Group Product List (J-Version)" to Table 1.10 "M16C/57 Group Product List (K-Version) for Operating Temperature, CAN Module, and E²dataFlash.

Table 1.5 Specifications (64-pin Package) (1/2)

Item	Function	Specification
CPU	Central processing unit	M16C/60 Series CPU Core (Multiplier: 16 × 16 → 32 bits, Multiply-accumulate unit: 16 × 16 + 32 → 32 bits) <ul style="list-style-type: none"> • Basic instructions: 91 • Minimum instruction execution time: • Operating mode: Single-chip mode
Memory	ROM, RAM, data flash, E ² dataFlash	See Table 1.7 to Table 1.10.
Voltage Detection	Voltage detector	<ul style="list-style-type: none"> • 2 voltage detect points
Clock	Clock generator	<ul style="list-style-type: none"> • 5 circuits (Main clock, sub clock, PLL frequency synthesizer, 125 kHz on-chip oscillator, 40 MHz on-chip oscillator) • Oscillation stop detector: Main clock oscillator stop/restart detection • Frequency divide circuit: Divide-by-1, 2, 4, 8, or 16 selectable • Low-power consumption modes: Wait mode, stop mode • Real-time clock
I/O Ports	Programmable I/O ports	<ul style="list-style-type: none"> • 54 CMOS inputs/outputs, a pull-up resistor selectable • N-channel open drain ports: 1
Interrupts		<ul style="list-style-type: none"> • Interrupt vectors: 70 • External interrupt inputs: 11 ($\overline{\text{NMI}}$, $\overline{\text{INT}} \times 6$, key input × 4) • Interrupt priority levels: 7
Watchdog Timer		<ul style="list-style-type: none"> • 15 bits × 1 (with prescaler) • Automatic reset start function selectable • Dedicated 125 kHz on-chip oscillator for the watchdog timer contained
DMA	DMAC	<ul style="list-style-type: none"> • 4 channels, Cycle-steal transfer mode • Trigger sources: 41 • Transfer modes: 2 (single transfer, repeat transfer)
Timers	Timer A	16-bit timer × 5 Timer mode, event counter mode, one-shot timer mode, pulse-width modulation (PWM) mode Two-phase pulse signal processing in event counter mode (two-phase encoder input) × 3 Programmable output mode × 3
	Timer B	16-bit timer × 3 Timer mode, event counter mode, pulse frequency measurement mode, pulse-width measurement mode
	Timer function for three-phase motor control	Three-phase motor control timer × 1 (timers A1, A2, A4, and B2 used) On-chip dead time timer
	Timer S (Input capture/output compare)	<ul style="list-style-type: none"> • 16-bit timer × 1 (base timer) • I/O: 8 channels
	Task monitoring timer	16-bit timer × 1 channel
	Real-time clock	Count: seconds, minutes, hours, weeks
Serial Interface	UART0 to UART3	3 channels (UART, clock synchronous serial interface) 1 channels (UART, clock synchronous serial interface, I ² C-bus, IEBus)
Multi-master I ² C-bus Interface		1 channel
A/D Converter		10-bit resolution × 16 channels
D/A Converter		8-bit resolution × 1 channel

Table 1.6 Specifications (64-pin Package) (2/2)

Item	Function	Specification
CRC Calculator		<ul style="list-style-type: none"> • 1 circuit • CRC-CCITT ($X^{16} + X^{12} + X^5 + 1$), CRC-16 ($X^{16} + X^{15} + X^2 + 1$) compliant • MSB/LSB selectable
Serial Bus Interface		1 channel <ul style="list-style-type: none"> • Clock synchronous serial communication mode • 4-wire bus communication mode • Programmable character length: 8 to 16 bits
LIN Module		1 channel
CAN Module		32-slot message buffer × 2 channels or 1 channel (M16C/5M Group) ⁽¹⁾
Flash Memory		<ul style="list-style-type: none"> • Programming and erasure supply voltage: 3.0 to 5.5 V • Programming and erasure endurance: 1,000 times (program ROM 1, program ROM 2)/10,000 times (data flash) • Program security: ROM code protect, ID code check
E ² dataFlash		Programming and erasure endurance: 100,000 ⁽¹⁾
Debug Functions		On-board flash rewrite function, address match × 4
Operating Frequency/Power Supply Voltage		32 MHz / 3.0 to 5.5 V
Current Consumption		Described in 31. "Electrical Characteristics"
Operating Temperature		-40°C to 85°C -40°C to 125°C ⁽¹⁾
Package		64-pin plastic mold LQFP: PLQP0064KB-A (Previous package code: 64P6Q-A)

Note:

1. Refer to Table 1.7 "M16C/5M Group Product List (J-Version)" to Table 1.10 "M16C/57 Group Product List (K-Version) for Operating Temperature, CAN Module, and E²dataFlash.

1.3 Product List

Table 1.7 to Table 1.8 list product informations. Figure 1.1 shows part numbers, memory sizes, and packages. Figure 1.2 shows marking drawing (top view).

Table 1.7 M16C/5M Group Product List (J-Version)

As of September 2011

Part Number	ROM Capacity				RAM Capacity	CAN	Package Name	Remarks		
	Program ROM 1	Program ROM 2	Data flash	E ² dataFlash						
R5F35M23JFE	96 KB	16 KB	4 KB x 2 blocks	4 KB	8 KB	1 channel	PLQP0080KB-A	Operating Temperature -40°C to 85°C		
R5F35M33JFF				—			PLQP0064KB-A			
R5F35M73JFE				—			PLQP0080KB-A			
R5F35M83JFF				—			PLQP0064KB-A			
R5F35M16JFB	128 KB	16 KB	4 KB x 2 blocks	4 KB	12 KB		PLQP0100KB-A			
R5F35M26JFE				—			PLQP0080KB-A			
R5F35M36JFF				—			PLQP0064KB-A			
R5F35M66JFB				—			PLQP0100KB-A			
R5F35M76JFE				—			PLQP0080KB-A			
R5F35M86JFF				—			PLQP0064KB-A			
R5F35M1EJFB	256 KB	16 KB	4 KB x 2 blocks	4 KB	20 KB		PLQP0100KB-A			
R5F35M2EJFE				—			PLQP0080KB-A			
R5F35M3EJFF				—			PLQP0064KB-A			
R5F35M6EJFB				—			PLQP0100KB-A			
R5F35M7EJFE				—			PLQP0080KB-A			
R5F35M8EJFF				—			PLQP0064KB-A			
R5F35MB3JFE				96 KB		16 KB	4 KB x 2 blocks	4 KB	8 KB	PLQP0080KB-A
R5F35MC3JFF								—		PLQP0064KB-A
R5F35ME3JFE	—	PLQP0080KB-A								
R5F35MF3JFF	—	PLQP0064KB-A								
R5F35MA6JFB	128 KB	16 KB	4 KB x 2 blocks	4 KB	12 KB	PLQP0100KB-A				
R5F35MB6JFE				—		PLQP0080KB-A				
R5F35MC6JFF				—		PLQP0064KB-A				
R5F35MD6JFB				—		PLQP0100KB-A				
R5F35ME6JFE				—		PLQP0080KB-A				
R5F35MF6JFF				—		PLQP0064KB-A				
R5F35MAEJFB	256 KB	16 KB	4 KB x 2 blocks	4 KB	20 KB	PLQP0100KB-A				
R5F35MBEJFE				—		PLQP0080KB-A				
R5F35MCEJFF				—		PLQP0064KB-A				
R5F35MDEJFB				—		PLQP0100KB-A				
R5F35MEEJFE				—		PLQP0080KB-A				
R5F35MFEJFF				—		PLQP0064KB-A				

(D): Under development

(P): Under planning

The old package names are as follows:

PLQP00100KB-A: 100P6Q-A

PLQP0080KB-A: 80P6Q-A

PLQP0064KB-A: 64P6Q-A

Table 1.8 M16C/5M Group Product List (K-Version)

As of September 2011

Part Number	ROM Capacity				RAM Capacity	CAN	Package Name	Remarks	
	Program ROM 1	Program ROM 2	Data flash	E ² dataFlash					
R5F35M23KFE	96 KB	16 KB	4 KB × 2 blocks	4 KB	8 KB	1 channel	PLQP0080KB-A	Operating Temperature -40°C to 125°C	
R5F35M33KFF				—			PLQP0064KB-A		
R5F35M73KFE				—			PLQP0080KB-A		
R5F35M83KFF				—			PLQP0064KB-A		
R5F35M16KFB	128 KB	16 KB	4 KB × 2 blocks	4 KB	12 KB		PLQP0100KB-A		
R5F35M26KFE				—			PLQP0080KB-A		
R5F35M36KFF				—			PLQP0064KB-A		
R5F35M66KFB				—			PLQP0100KB-A		
R5F35M76KFE				—			PLQP0080KB-A		
R5F35M86KFF				—			PLQP0064KB-A		
R5F35M1EKFB	256 KB	16 KB	4 KB × 2 blocks	4 KB	20 KB		PLQP0100KB-A		
R5F35M2EKFE				—			PLQP0080KB-A		
R5F35M3EKFF				—			PLQP0064KB-A		
R5F35M6EKFB				—			PLQP0100KB-A		
R5F35M7EKFE				—			PLQP0080KB-A		
R5F35M8EKFF				—			PLQP0064KB-A		
R5F35MB3KFE	96 KB	16 KB	4 KB × 2 blocks	4 KB	8 KB	2 channels	PLQP0080KB-A		
R5F35MC3KFF				—			PLQP0064KB-A		
R5F35ME3KFE				—			PLQP0080KB-A		
R5F35MF3KFF				—			PLQP0064KB-A		
R5F35MA6KFB	128 KB	16 KB	4 KB × 2 blocks	4 KB			12 KB		PLQP0100KB-A
R5F35MB6KFE				—					PLQP0080KB-A
R5F35MC6KFF				—					PLQP0064KB-A
R5F35MD6KFB				—					PLQP0100KB-A
R5F35ME6KFE				—	PLQP0080KB-A				
R5F35MF6KFF				—	PLQP0064KB-A				
R5F35MAEKFB	256 KB	16 KB	4 KB × 2 blocks	4 KB	20 KB		PLQP0100KB-A		
R5F35MBEKFE				—			PLQP0080KB-A		
R5F35MCEKFF				—			PLQP0064KB-A		
R5F35MDEKFB				—			PLQP0100KB-A		
R5F35MEEKFE				—			PLQP0080KB-A		
R5F35MFEKFF				—			PLQP0064KB-A		

(D): Under development

(P): Under planning

The old package names are as follows:

PLQP00100KB-A: 100P6Q-A

PLQP0080KB-A: 80P6Q-A

PLQP0064KB-A: 64P6Q-A

Table 1.9 M16C/57 Group Product List (J-Version)

As of September 2011

Part Number	ROM Capacity				RAM Capacity	CAN	Package Name	Remarks
	Program ROM 1	Program ROM 2	Data flash	E ² dataFlash				
R5F35723JFE	96 KB	16 KB	4 KB x 2 blocks	4 KB	8 KB	N/A	PLQP0080KB-A	Operating Temperature -40°C to 85°C
R5F35733JFF				—			PLQP0064KB-A	
R5F35773JFE				—			PLQP0080KB-A	
R5F35783JFF				—			PLQP0064KB-A	
R5F35716JFB	128 KB	16 KB	4 KB x 2 blocks	4 KB	12 KB		PLQP0100KB-A	
R5F35726JFE				—			PLQP0080KB-A	
R5F35736JFF				—			PLQP0064KB-A	
R5F35766JFB				—			PLQP0100KB-A	
R5F35776JFE				—			PLQP0080KB-A	
R5F35786JFF				—			PLQP0064KB-A	
R5F3571EJFB	256 KB	16 KB	4 KB x 2 blocks	4 KB	20 KB		PLQP0100KB-A	
R5F3572EJFE				—			PLQP0080KB-A	
R5F3573EJFF				—			PLQP0064KB-A	
R5F3576EJFB				—			PLQP0100KB-A	
R5F3577EJFE				—			PLQP0080KB-A	
R5F3578EJFF				—			PLQP0064KB-A	

(D): Under development

(P): Under planning

The old package names are as follows:

PLQP00100KB-A: 100P6Q-A

PLQP0080KB-A: 80P6Q-A

PLQP0064KB-A: 64P6Q-A

Table 1.10 M16C/57 Group Product List (K-Version)

As of September 2011

Part Number	ROM Capacity				RAM Capacity	CAN	Package Name	Remarks
	Program ROM 1	Program ROM 2	Data flash	E ² dataFlash				
R5F35723KFE	96 KB	16 KB	4 KB x 2 blocks	4 KB	8 KB	N/A	PLQP0080KB-A	Operating Temperature -40°C to 125°C
R5F35733KFF				—			PLQP0064KB-A	
R5F35773KFE				—			PLQP0080KB-A	
R5F35783KFF				—			PLQP0064KB-A	
R5F35716KFB	128 KB	16 KB	4 KB x 2 blocks	4 KB	12 KB		PLQP0100KB-A	
R5F35726KFE				—			PLQP0080KB-A	
R5F35736KFF				—			PLQP0064KB-A	
R5F35766KFB				—			PLQP0100KB-A	
R5F35776KFE				—			PLQP0080KB-A	
R5F35786KFF				—			PLQP0064KB-A	
R5F3571EKFB	256 KB	16 KB	4 KB x 2 blocks	4 KB	20 KB		PLQP0100KB-A	
R5F3572EKFE				—			PLQP0080KB-A	
R5F3573EKFF				—			PLQP0064KB-A	
R5F3576EKFB				—			PLQP0100KB-A	
R5F3577EKFE				—			PLQP0080KB-A	
R5F3578EKFF				—			PLQP0064KB-A	

(D): Under development

(P): Under planning

The old package names are as follows:

PLQP00100KB-A: 100P6Q-A

PLQP0080KB-A: 80P6Q-A

PLQP0064KB-A: 64P6Q-A

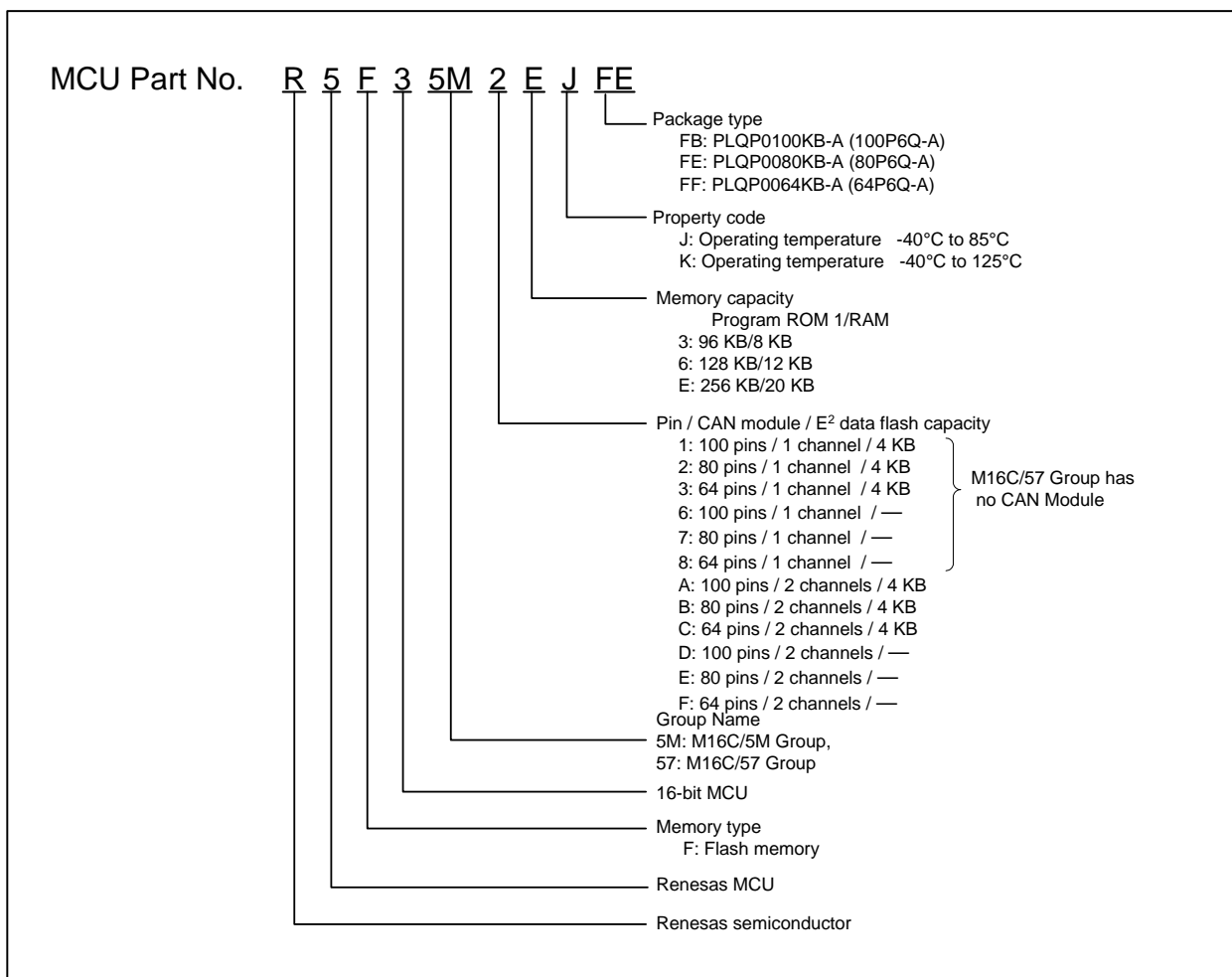


Figure 1.1 Part Number, Memory Size, and Package

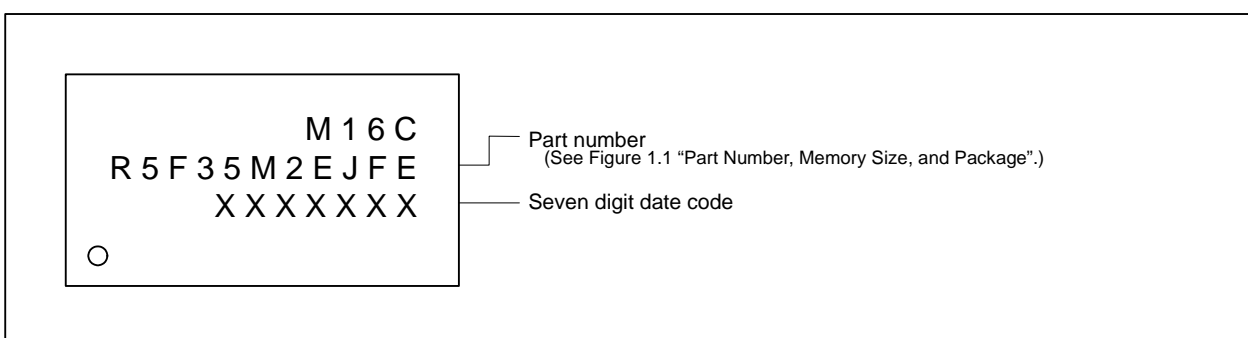


Figure 1.2 Marking Diagram of Flash Memory Version (Top View)

1.4 Block Diagrams

Figure 1.3 to Figure 1.5 show a block diagram of M16C/5M Group and M16C/57 Group.

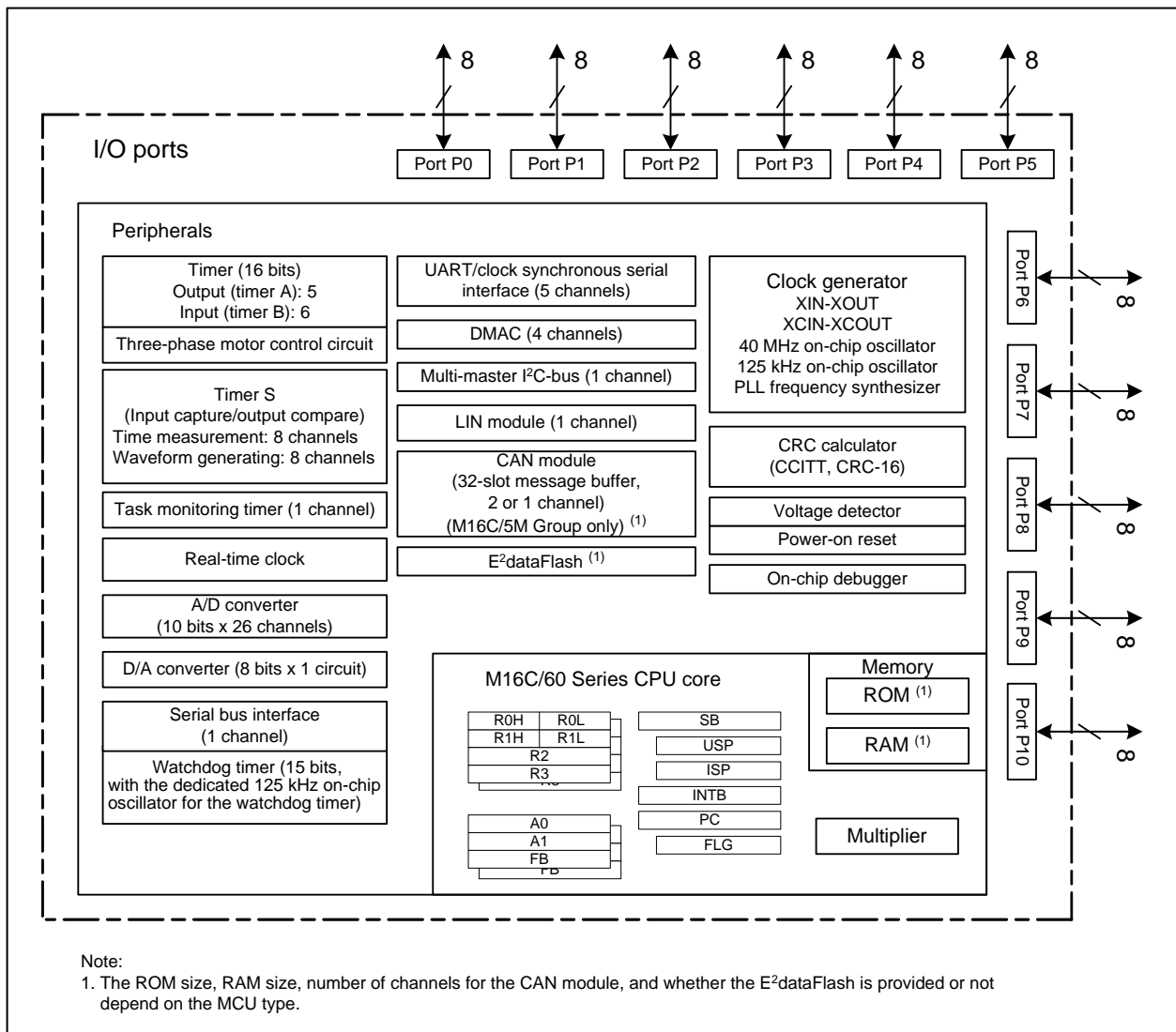


Figure 1.3 100-Pin Block Diagram

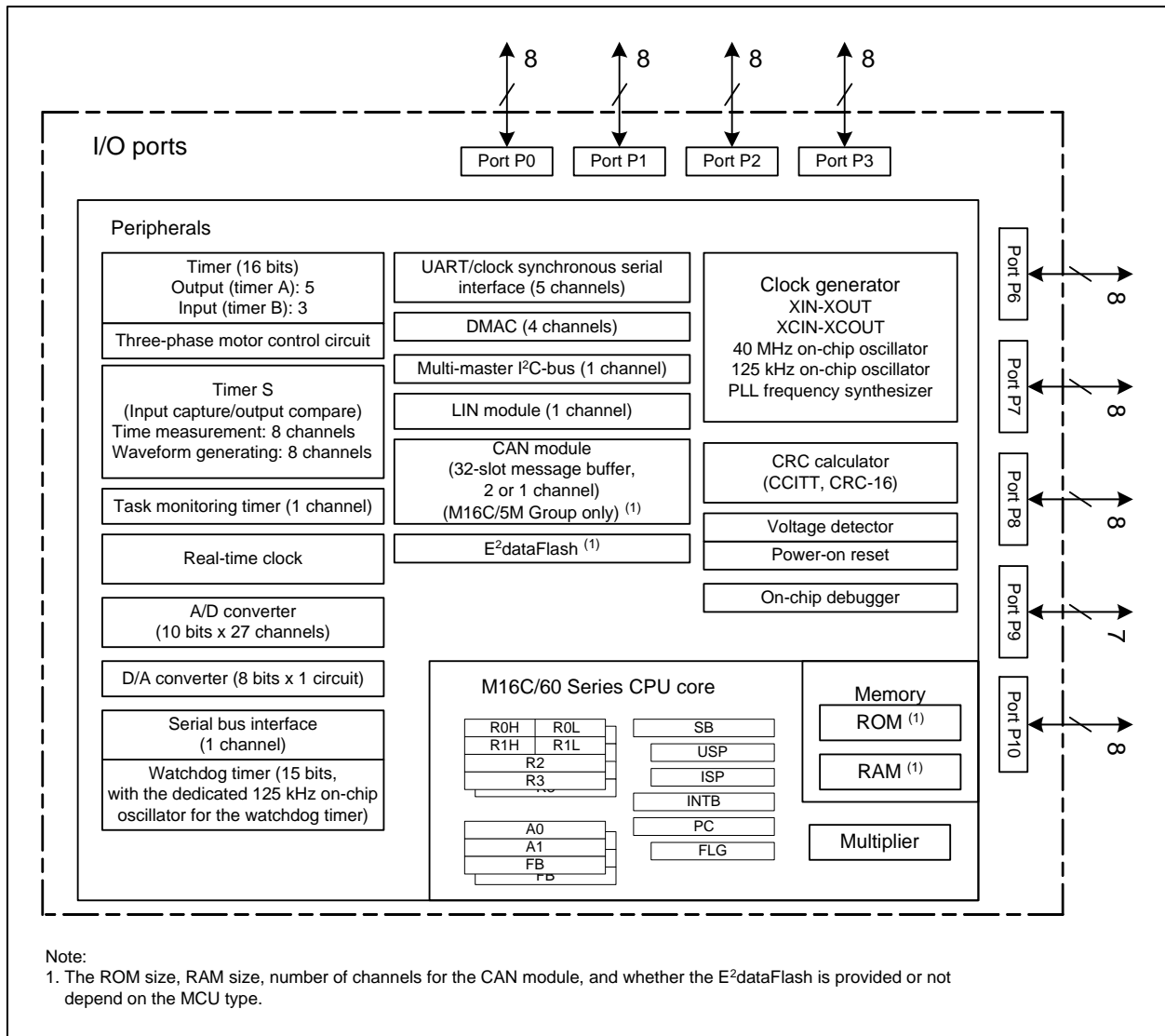


Figure 1.4 80-Pin Block Diagram

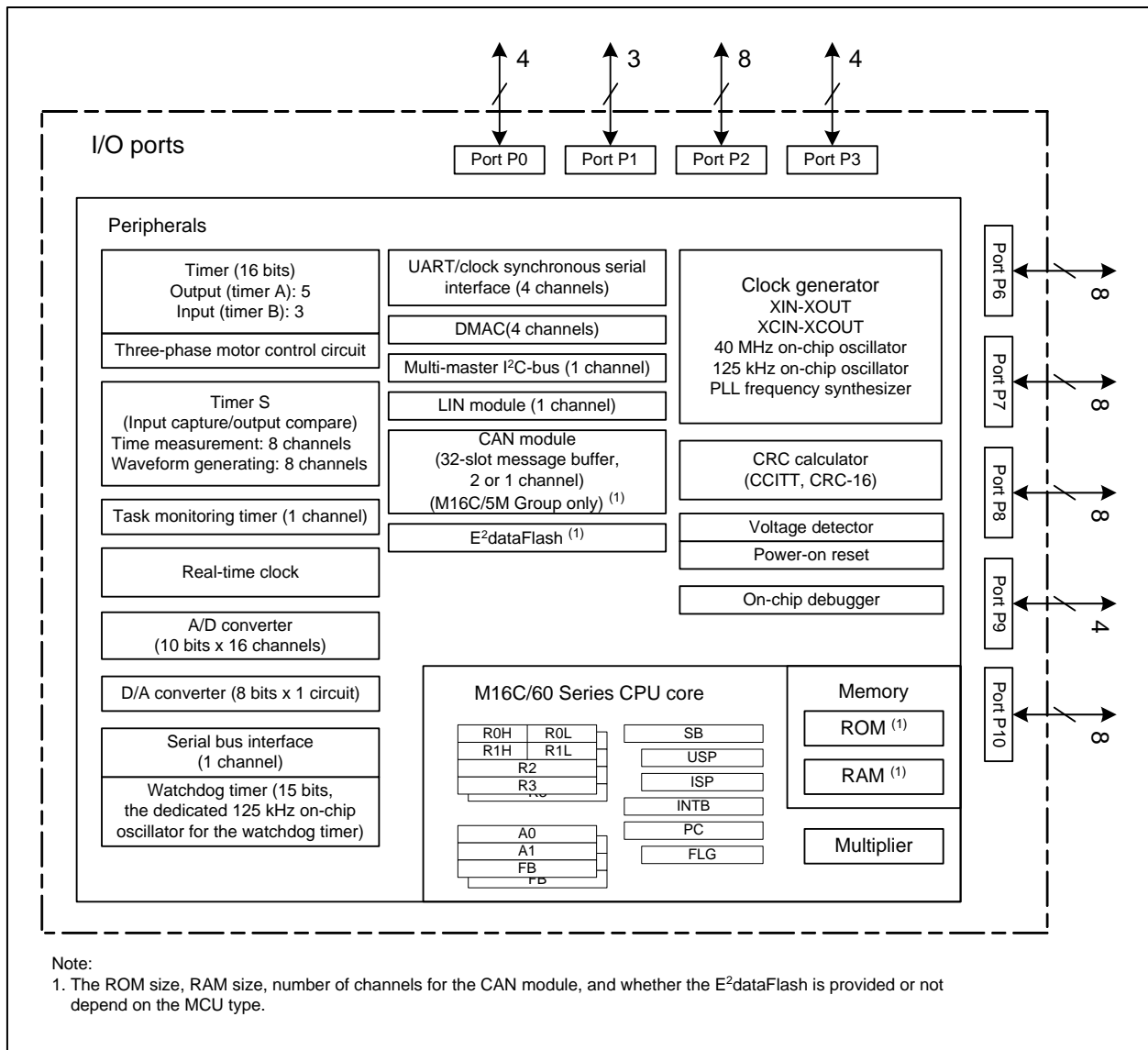


Figure 1.5 64-Pin Block Diagram

1.5 Pin Assignments

Figure 1.6 shows the pin assignments for the 100-pin package, Figure 1.7 shows the pin assignments for the 80-pin package, and Figure 1.8 shows the pin assignments for the 64-pin package.

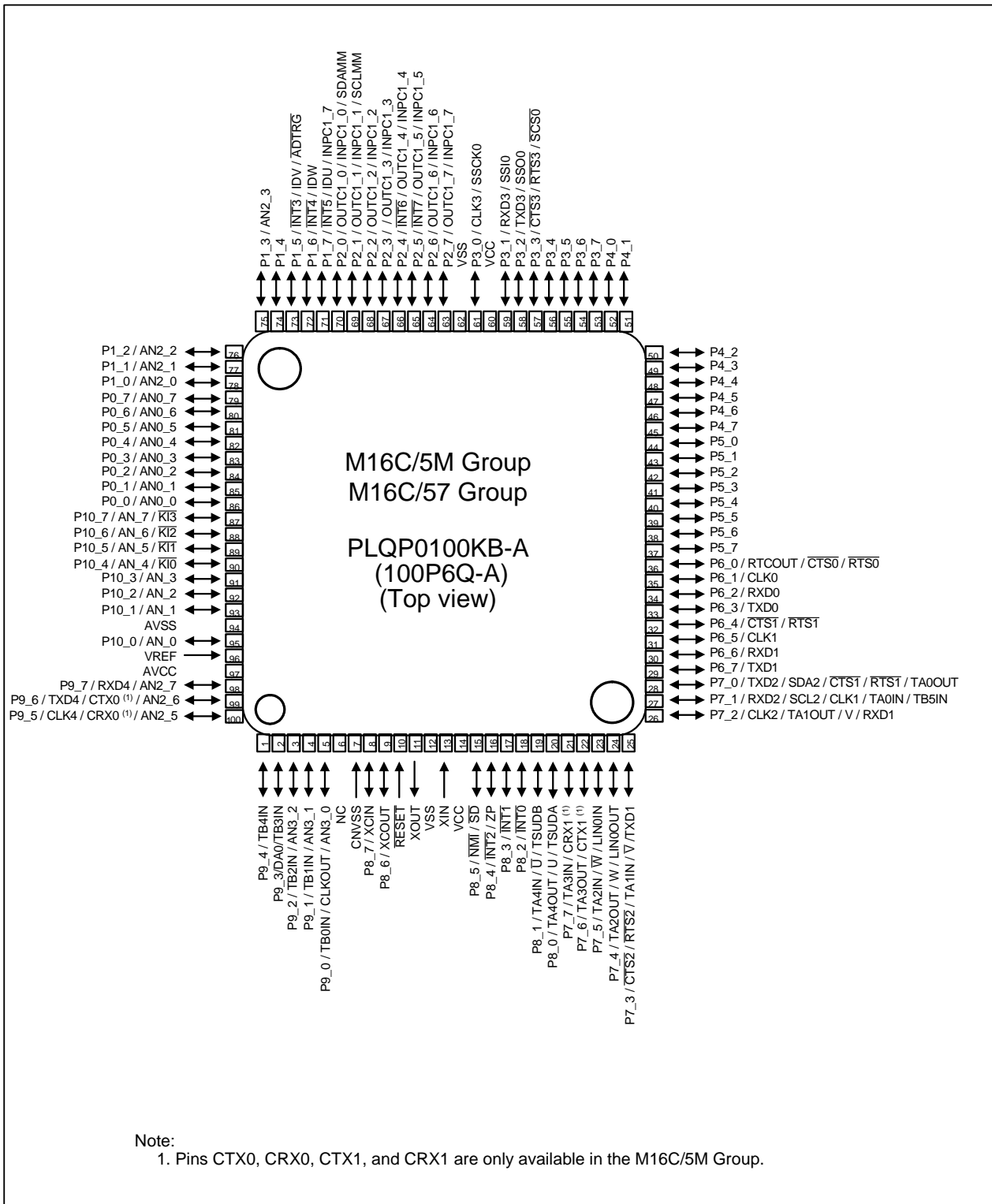


Figure 1.6 Pin Assignments for 100-Pin Package (Top View)

Set bits PACR2 to PACR0 in the PACR register to 100b before signals are input or output to individual pins after reset. When the PACR register is not set, signals are not input or output for some of the pins.

Table 1.11 Pin Names, 100-Pin Package(1/2)

Pin No.	Control Pin	Port	Interrupt Pin	Timer Pin	Timer S Pin	UART/CAN/LIN/Serial Bus Interface Pin	Multi-master I ² C-bus Pin	Analog Pin
1		P9_4		TB4IN				
2		P9_3		TB3IN				DA0
3		P9_2		TB2IN				AN3_2
4		P9_1		TB1IN				AN3_1
5	CLKOUT	P9_0		TB0IN				AN3_0
6	NC							
7	CNVSS							
8	XCIN	P8_7						
9	XCOU	P8_6						
10	RESET							
11	XOUT							
12	VSS							
13	XIN							
14	VCC							
15		P8_5	NMI	SD				
16		P8_4	INT2	ZP				
17		P8_3	INT1					
18		P8_2	INT0					
19		P8_1		TA4IN/U	TSUDB			
20		P8_0		TA4OUT/U	TSUDA			
21		P7_7		TA3IN		CRX1 ⁽¹⁾		
22		P7_6		TA3OUT		CTX1 ⁽¹⁾		
23		P7_5		TA2IN/W		LIN0IN		
24		P7_4		TA2OUT/W		LIN0OUT		
25		P7_3		TA1IN/V		CTS2/RTS2/TXD1		
26		P7_2		TA1OUT/V		CLK2/RXD1		
27		P7_1		TA0IN/TB5IN		RXD2/SCL2/CLK1		
28		P7_0		TA0OUT		TXD2/SDA2/CTS1/RTS1		
29		P6_7				TXD1		
30		P6_6				RXD1		
31		P6_5				CLK1		
32		P6_4				CTS1/RTS1		
33		P6_3				TXD0		
34		P6_2				RXD0		
35		P6_1				CLK0		
36		P6_0	RTCOU			CTS0/RTS0		
37		P5_7						
38		P5_6						
39		P5_5						
40		P5_4						
41		P5_3						
42		P5_2						
43		P5_1						
44		P5_0						
45		P4_7						
46		P4_6						
47		P4_5						
48		P4_4						
49		P4_3						
50		P4_2						

Note:

1. There are pins CTX1 and CRX1 only in the M16C/5M Group.

Table 1.12 Pin Names, 100-Pin Package(2/2)

Pin No.	Control Pin	Port	Interrupt Pin	Timer Pin	Timer S Pin	UART/CAN/LIN/Serial Bus Interface Pin	Multi-master I ² C-bus Pin	Analog Pin
51		P4_1						
52		P4_0						
53		P3_7						
54		P3_6						
55		P3_5						
56		P3_4						
57		P3_3				CTS3/RTS3/SCS0		
58		P3_2				TXD3/SS00		
59		P3_1				RXD3/SSI0		
60	VCC							
61		P3_0				CLK3/SSCK0		
62	VSS							
63		P2_7			OUTC1_7/INPC1_7			
64		P2_6			OUTC1_6/INPC1_6			
65		P2_5	INT7		OUTC1_5/INPC1_5			
66		P2_4	INT6		OUTC1_4/INPC1_4			
67		P2_3			OUTC1_3/INPC1_3			
68		P2_2			OUTC1_2/INPC1_2			
69		P2_1			OUTC1_1/INPC1_1		SCLMM	
70		P2_0			OUTC1_0/INPC1_0		SDAMM	
71		P1_7	INT5	IDU	INPC1_7			
72		P1_6	INT4	IDW				
73		P1_5	INT3	IDV				ADTRG
74		P1_4						
75		P1_3						AN2_3
76		P1_2						AN2_2
77		P1_1						AN2_1
78		P1_0						AN2_0
79		P0_7						AN0_7
80		P0_6						AN0_6
81		P0_5						AN0_5
82		P0_4						AN0_4
83		P0_3						AN0_3
84		P0_2						AN0_2
85		P0_1						AN0_1
86		P0_0						AN0_0
87		P10_7	KI3					AN_7
88		P10_6	KI2					AN_6
89		P10_5	KI1					AN_5
90		P10_4	KI0					AN_4
91		P10_3						AN_3
92		P10_2						AN_2
93		P10_1						AN_1
94	AVSS							
95		P10_0						AN_0
96	VREF							
97	AVCC							
98		P9_7				RXD4		AN2_7
99		P9_6				TXD4/CTX0 (1)		AN2_6
100		P9_5				CLK4/CRX0 (1)		AN2_5

Note:

1. Pins CTX0 and CRX0 are only available in the M16C/5M Group.

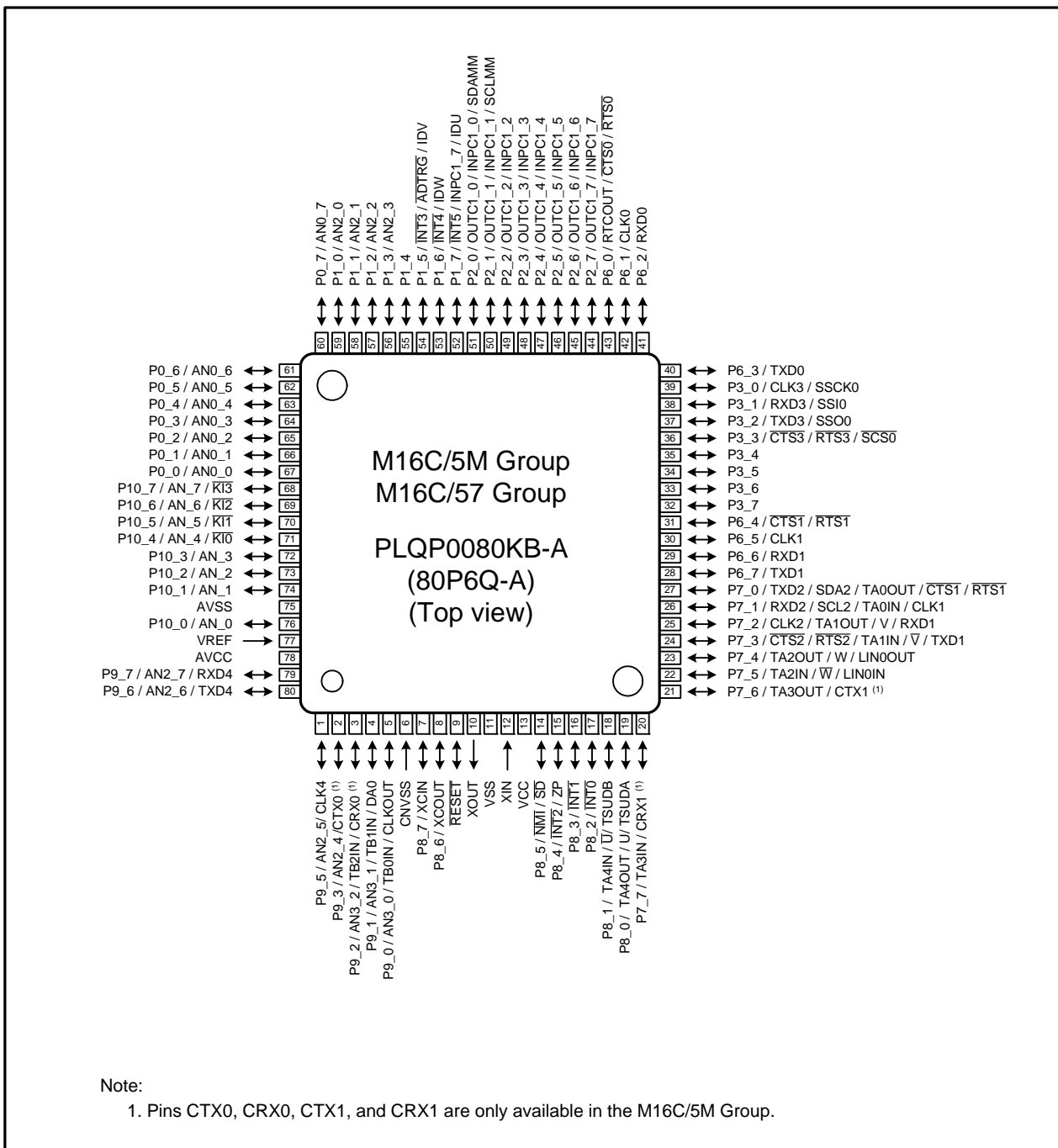


Figure 1.7 Pin Assignment for 80-Pin Package (Top View)

Set bits PACR2 to PACR0 in the PACR register to 011b before signals are input or output to individual pins after reset. When the PACR register is not set, signals are not input or output for some of the pins.

Table 1.13 Pin Names, 80-Pin Package (1/2)

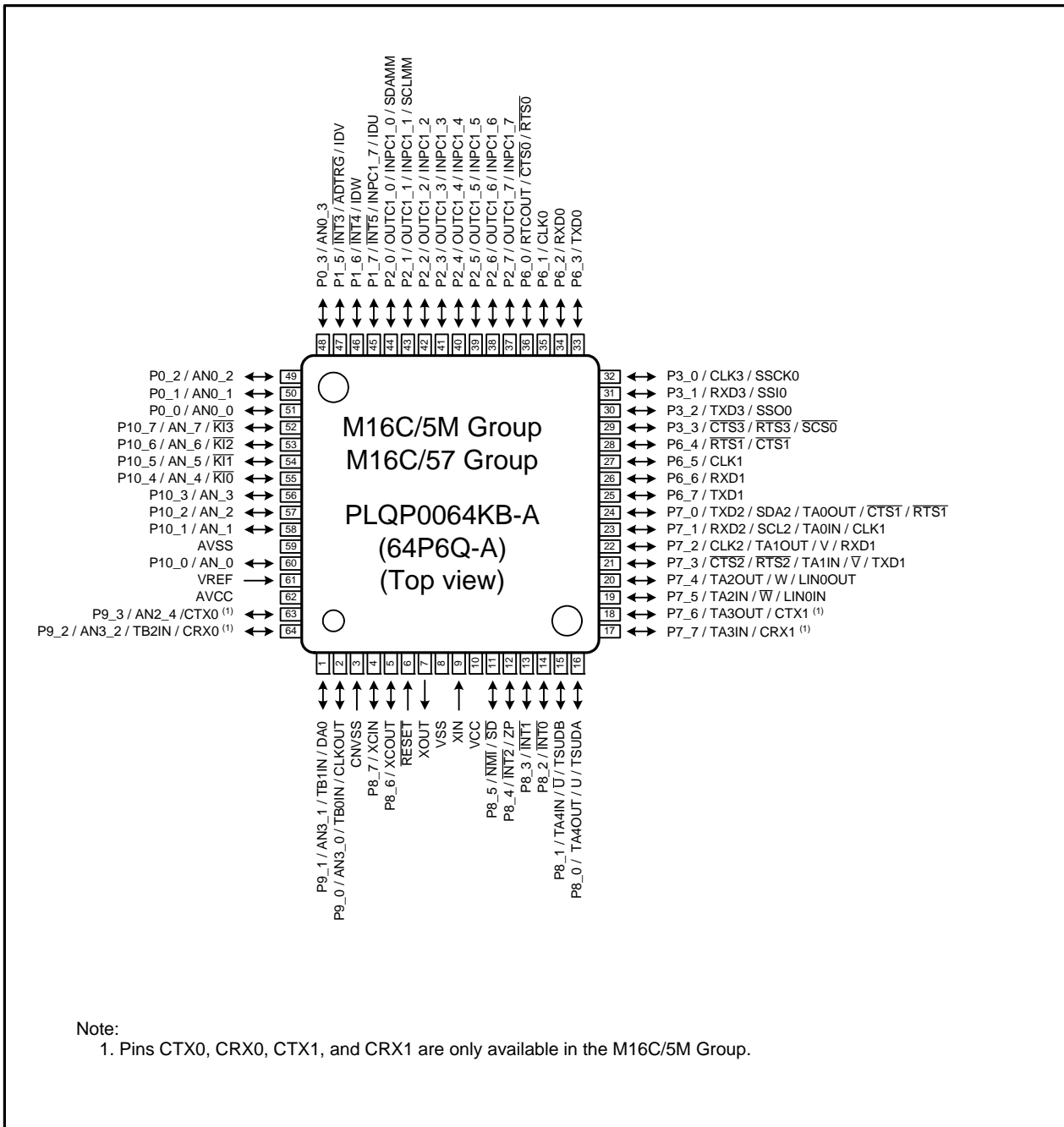
Pin No.	Control pin	Port	Interrupt Pin	Timer Pin	Timer S Pin	UART/CAN/LIN/Serial Bus Interface Pin	Multi-master I ² C-bus pin	Analog Pin
1		P9_5				CLK4		AN2_5
2		P9_3				CTX0 (1)		AN2_4
3		P9_2		TB2IN		CRX0 (1)		AN3_2
4		P9_1		TB1IN				AN3_1/ DA0
5	CLKOUT	P9_0		TB0IN				AN3_0
6	CNVSS							
7	XCIN	P8_7						
8	XCOU	P8_6						
9	RESET							
10	XOUT							
11	VSS							
12	XIN							
13	VCC							
14		P8_5	NMI	SD				
15		P8_4	INT2	ZP				
16		P8_3	INT1					
17		P8_2	INT0					
18		P8_1		TA4IN/U	TSUDB			
19		P8_0		TA4OUT/U	TSUDA			
20		P7_7		TA3IN		CRX1 (1)		
21		P7_6		TA3OUT		CTX1 (1)		
22		P7_5		TA2IN/W		LIN0IN		
23		P7_4		TA2OUT/W		LIN0OUT		
24		P7_3		TA1IN/V		CTS2/RTS2/TXD1		
25		P7_2		TA1OUT/V		CLK2/RXD1		
26		P7_1		TA0IN		RXD2/SCL2/CLK1		
27		P7_0		TA0OUT		TXD2/SDA2/CTS1/RTS1		
28		P6_7				TXD1		
29		P6_6				RXD1		
30		P6_5				CLK1		
31		P6_4				CTS1/RTS1		
32		P3_7						
33		P3_6						
34		P3_5						
35		P3_4						
36		P3_3				CTS3/RTS3/SCS0		
37		P3_2				TXD3/SSO0		
38		P3_1				RXD3/SSI0		
39		P3_0				CLK3/SSCK0		
40		P6_3				TXD0		

Note:

1. Pins CTX0, CRX0, CTX1 and CRX1 are only available in the M16C/5M Group.

Table 1.14 Pin Names, 80-Pin Package (2/2)

Pin No.	Control pin	Port	Interrupt Pin	Timer Pin	Timer S Pin	UART/CAN/LIN/Serial Bus Interface Pin	Multi-master I ² C-bus pin	Analog Pin
41		P6_2				RXD0		
42		P6_1				CLK0		
43		P6_0		RTCOUT		CTS0/RTS0		
44		P2_7			OUTC1_7/INPC1_7			
45		P2_6			OUTC1_6/INPC1_6			
46		P2_5			OUTC1_5/INPC1_5			
47		P2_4			OUTC1_4/INPC1_4			
48		P2_3			OUTC1_3/INPC1_3			
49		P2_2			OUTC1_2/INPC1_2			
50		P2_1			OUTC1_1/INPC1_1		SCLMM	
51		P2_0			OUTC1_0/INPC1_0		SDAMM	
52		P1_7	INT5	IDU	INPC1_7			
53		P1_6	INT4	IDW				
54		P1_5	INT3	IDV				ADTRG
55		P1_4						
56		P1_3						AN2_3
57		P1_2						AN2_2
58		P1_1						AN2_1
59		P1_0						AN2_0
60		P0_7						AN0_7
61		P0_6						AN0_6
62		P0_5						AN0_5
63		P0_4						AN0_4
64		P0_3						AN0_3
65		P0_2						AN0_2
66		P0_1						AN0_1
67		P0_0						AN0_0
68		P10_7	KI3					AN_7
69		P10_6	KI2					AN_6
70		P10_5	KI1					AN_5
71		P10_4	KI0					AN_4
72		P10_3						AN_3
73		P10_2						AN_2
74		P10_1						AN_1
75	AVSS							
76		P10_0						AN_0
77	VREF							
78	AVCC							
79		P9_7				RXD4		AN2_7
80		P9_6				TXD4		AN2_6



Note:
1. Pins CTX0, CRX0, CTX1, and CRX1 are only available in the M16C/5M Group.

Figure 1.8 Pin Assignments for 64-Pin Package (Top View)

Set bits PACR2 to PACR0 in the PACR register to 010b before signals are input or output to individual pins after reset. When the PACR register is not set, signals are not input or output for some of the pins.

Table 1.15 Pin Names, 64-Pin Package (1/2)

Pin No.	Control pin	Port	Interrupt Pin	Timer Pin	Timer S Pin	UART/CAN/LIN/Serial Bus Interface Pin	Multi-master I ² C-bus Pin	Analog Pin
1		P9_1		TB1IN				AN3_1/ DA0
2	CLKOUT	P9_0		TB0IN				AN3_0
3	CNVSS							
4	XCIN	P8_7						
5	XCOU	P8_6						
6	RESET							
7	XOUT							
8	VSS							
9	XIN							
10	VCC							
11		P8_5	NMI	SD				
12		P8_4	INT2	ZP				
13		P8_3	INT1					
14		P8_2	INT0					
15		P8_1		TA4IN/U	TSUDB			
16		P8_0		TA4OUT/U	TSUDA			
17		P7_7		TA3IN		CRX1 (1)		
18		P7_6		TA3OUT		CTX1 (1)		
19		P7_5		TA2IN/W		LIN0IN		
20		P7_4		TA2OUT/W		LIN0OUT		
21		P7_3		TA1IN/V		CTS2/RTS2/TXD1		
22		P7_2		TA1OUT/V		CLK2/RXD1		
23		P7_1		TA0IN		RXD2/SCL2/CLK1		
24		P7_0		TA0OUT		TXD2/SDA2/CTS1/RTS1		
25		P6_7				TXD1		
26		P6_6				RXD1		
27		P6_5				CLK1		
28		P6_4				CTS1/RTS1		
29		P3_3				CTS3/RTS3 / SCS0		
30		P3_2				TXD3 / SSO0		

Note:

1. Pins CTX1 and CRX1 are only available in the M16C/5M Group.

Table 1.16 Pin Names, 64-Pin Package (2/2)

Pin No.	Control pin	Port	Interrupt Pin	Timer Pin	Timer S Pin	UART/CAN/LIN/Serial Bus Interface Pin	Multi-master I ² C-bus pin	Analog Pin
31		P3_1				RXD3 / SSI0		
32		P3_0				CLK3 / SSCK0		
33		P6_3				TXD0		
34		P6_2				RXD0		
35		P6_1				CLK0		
36		P6_0		RTCOU ^T		CTS0/RTS0		
37		P2_7			OUTC1_7/INPC1_7			
38		P2_6			OUTC1_6/INPC1_6			
39		P2_5			OUTC1_5/INPC1_5			
40		P2_4			OUTC1_4/INPC1_4			
41		P2_3			OUTC1_3/INPC1_3			
42		P2_2			OUTC1_2/INPC1_2			
43		P2_1			OUTC1_1/INPC1_1		SCLMM	
44		P2_0			OUTC1_0/INPC1_0		SDAMM	
45		P1_7	INT5	IDU	INPC1_7			
46		P1_6	INT4	IDW				
47		P1_5	INT3	IDV				ADTRG
48		P0_3						AN0_3
49		P0_2						AN0_2
50		P0_1						AN0_1
51		P0_0						AN0_0
52		P10_7	KI3					AN_7
53		P10_6	KI2					AN_6
54		P10_5	KI1					AN_5
55		P10_4	KI0					AN_4
56		P10_3						AN_3
57		P10_2						AN_2
58		P10_1						AN_1
59	AVSS							
60		P10_0						AN_0
61	VREF							
62	AVCC							
63		P9_3				CTX0 (1)		AN2_4
64		P9_2		TB2IN		CRX0 (1)		AN3_2

Note:

1. Pins CTX0 and CRX0 are only available in the M16C/5M Group.

1.6 Pin Functions

Table 1.17 Pin Functions (64-Pin, 80-Pin, and 100-Pin Packages)

Signal Name	Pin Name	I/O	Description
Power supply	VCC, VSS	I	Apply 3.0 to 5.5 V to the VCC pin and 0 V to the VSS pin.
Analog power supply	AVCC, AVSS	I	Power supply for the A/D converter and D/A converter. Pins AVCC and AVSS should be connected to VCC and VSS, respectively.
Reset input	$\overline{\text{RESET}}$	I	Driving this pin low resets the MCU.
CNVSS	CNVSS	I	Connect to VSS via a resistor.
Main clock input	XIN	I	Input/output for the main clock oscillator. Connect a ceramic resonator or crystal oscillator between XIN and XOUT. ⁽¹⁾
Main clock output	XOUT	O	To apply an external clock, connect it to XIN and leave XOUT open. When XIN is not used, connect XIN to VCC pin and leave XOUT open.
Sub clock input	XCIN	I	Input/output for the sub clock oscillator. Connect a crystal oscillator between XCIN and XCOU. ⁽¹⁾
Sub clock output	XCOU	O	
Clock output	CLKOUT	O	This pin outputs the clock having the same frequency as f1, f8, f32, or fC.
$\overline{\text{INT}}$ interrupt input	$\overline{\text{INT0}}$ to $\overline{\text{INT5}}$	I	Input for $\overline{\text{INT}}$ interrupt
$\overline{\text{NMI}}$ input	$\overline{\text{NMI}}$	I	Input for $\overline{\text{NMI}}$
Key input interrupt	$\overline{\text{KI0}}$ to $\overline{\text{KI3}}$	I	Input for the key input interrupt
Timer A	TA0OUT to TA4OUT	I/O	Timers A0 to A4 input/output
	TA0IN to TA4IN	I	Timers A0 to A4 input
	ZP	I	Input for Z-phase
Timer B	TB0IN to TB2IN	I	Timers B0 to B2 input
Three-phase motor control timer	U, $\overline{\text{U}}$, V, $\overline{\text{V}}$, W, $\overline{\text{W}}$	O	Output for three-phase motor control timer
	IDU, IDW, IDV, $\overline{\text{SD}}$	I	Input for three-phase motor control timer
Real-time clock	RTCOUT	O	Output for real-time clock
Serial interface UART0 to UART3	$\overline{\text{CTS0}}$ to $\overline{\text{CTS3}}$	I	Input to control data transmission
	$\overline{\text{RTS0}}$ to $\overline{\text{RTS3}}$	O	Output to control data reception
	CLK0 to CLK3	I/O	Transfer clock input/output
	RXD0 to RXD3	I	Serial data input
	TXD0 to TXD3	O	Serial data output
UART2 I ² C mode	SDA2	I/O	Serial data input/output
	SCL2	I/O	Transfer clock input/output
Multi-master I ² C-bus	SDAMM	I/O	Serial data input/output
	SCLMM		Transfer clock input/output

Note:

1. Please contact the manufacturer of crystal/ceramic resonator for oscillation characteristic.

Table 1.18 Pin Functions (64-Pin, 80-Pin, and 100-Pin Packages)

Signal Name	Pin Name	I/O	Description
Reference voltage input	VREF	I	Reference voltage input for the A/D converter and D/A converter.
A/D converter	AN_0 to AN_7 AN0_0 to AN0_3 AN3_0 to AN3_2	I	Analog input
	ADTRG	I	Input for an external trigger
Timer S	INPC1_0 to INPC1_7	I	Input for time measurement function
	OUTC1_0 to OUTC1_7	O	Output for waveform generating function
	TSUDA, TSUDB	I	Two-phase pulse input
CAN Module (1)	CRX0, CRX1	I	Receive data input for CAN communication
	CTX0, CTX1	O	Transmit data output for CAN communication
D/A converter	DA0	O	Output for the D/A converter
LIN module	LIN0OUT	O	Transmit data output for LIN communication
	LIN0IN	I	Receive data input for LIN communication
Serial bus interface	SSO0	O	Serial data output
	SSI0	I	Serial data input
	SSCK0	I/O	Input/output for transmit/receive clock
	SCS0	I	Input to control the serial interface
I/O port	P0_0 to P0_3 P1_5 to P1_7 P2_0 to P2_7 P3_0 to P3_3 P6_0 to P6_7 P7_0 to P7_7 P8_0 to P8_7 P9_0 to P9_3 P10_0 to P10_7	I/O	CMOS I/O ports. Each port has a corresponding direction register with which each pin can be set to input or output. For input ports, pull-up resistor is selectable for every unit of 4 bits. However, P8_5 output is N-channel open drain output and does not have a pull-up resistor. Port P8_5 shares the pin with $\overline{\text{NMI}}$, so that the $\overline{\text{NMI}}$ input level can be read from the P8 register P8_5 bit.

Note:

1. The CAN module is only in the M16C/5M Group.

Table 1.19 Pin Functions (100-Pin Package Only)

Signal Name	Pin Name	I/O	Description
$\overline{\text{INT}}$ interrupt input	$\overline{\text{INT6}}$ and $\overline{\text{INT7}}$	I	Input for $\overline{\text{INT}}$ interrupt
Timer B	TB3IN to TB5IN	I	Timers B3 to B5 input
I/O port	P4_0 to P4_7 P5_0 to P5_7 P9_4	I/O	CMOS I/O ports. Each port has a corresponding direction register with which each pin can be set to input or output. For input ports, pull-up resistor is selectable for every unit of 4 bits.

Table 1.20 Pin Functions (80-Pin and 64-Pin Package Only)

Signal Name	Pin Name	I/O	Description
A/D converter	AN2_4	I	Analog input

Table 1.21 Pin Functions (100-Pin and 80-Pin Package Only)

Signal Name	Pin Name	I/O	Description
Serial Interface UART4	CLK4	I/O	Transfer clock input/output
	RXD4	I	Serial data input
	TXD4	O	Serial data output
A/D converter	AN0_4 to AN0_7 AN2_0 to AN2_3 AN2_5 to AN2_7	I	Analog input
I/O port	P0_4 to P0_7 P1_0 to P1_4 P3_4 to P3_7 P9_5 to P9_7	I/O	CMOS I/O ports. Each port has a corresponding direction register with which each pin can be set to input or output. For input ports, Pull-up resistor is selectable for every unit of 4 bits.

2. Central Processing Unit (CPU)

Figure 2.1 shows the CPU registers. Seven registers (R0, R1, R2, R3, A0, A1, and FB) out of 13 compose a register bank, and there are two register banks.

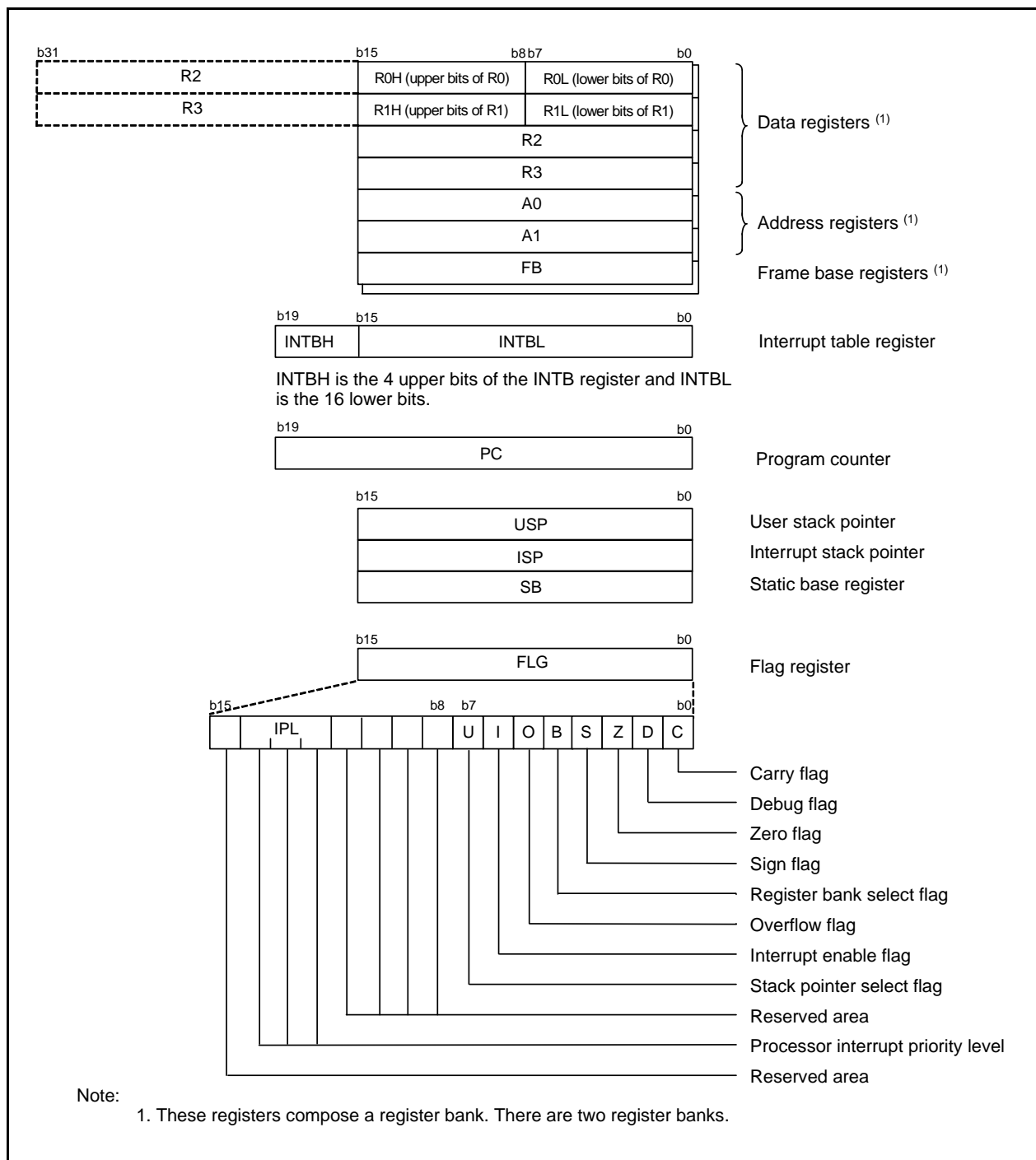


Figure 2.1 CPU Registers

2.1 Data Registers (R0, R1, R2, and R3)

R0, R1, R2, and R3 are 16-bit registers used for transfer, arithmetic, and logic operations. R0 and R1 can be split into upper (R0H/R1H) and lower (R0L/R1L) bits to be used separately as 8-bit data registers.

R0 can be combined with R2, and R3 can be combined with R1 and be used as 32-bit data registers R2R0 and R3R1, respectively.

2.2 Address Registers (A0 and A1)

A0 and A1 are 16-bit registers used for indirect addressing, relative addressing, transfer, arithmetic, and logic operations. A0 can be combined with A1 and used as a 32-bit address register (A1A0).

2.3 Frame Base Register (FB)

FB is a 16-bit register that is used for FB relative addressing.

2.4 Interrupt Table Register (INTB)

INTB is a 20-bit register that indicates the start address of a relocatable interrupt vector table.

2.5 Program Counter (PC)

The PC is 20 bits wide and indicates the address of the next instruction to be executed.

2.6 User Stack Pointer (USP) and Interrupt Stack Pointer (ISP)

The USP and ISP stack pointers (SP) are each comprised of 16 bits. The U flag is used to switch between USP and ISP.

2.7 Static Base Register (SB)

SB is a 16-bit register used for SB relative addressing.

2.8 Flag Register (FLG)

FLG is an 11-bit register that indicates the CPU state.

2.8.1 Carry Flag (C Flag)

The C flag retains a carry, borrow, or shift-out bit generated by the arithmetic/logic unit.

2.8.2 Debug Flag (D Flag)

The D flag is for debugging only. Set it to 0.

2.8.3 Zero Flag (Z Flag)

The Z flag becomes 1 when an arithmetic operation results in 0. Otherwise, it becomes 0.

2.8.4 Sign Flag (S Flag)

The S flag becomes 1 when an arithmetic operation results in a negative value. Otherwise, it becomes 0.

2.8.5 Register Bank Select Flag (B Flag)

Register bank 0 is selected when the B flag is 0. Register bank 1 is selected when this flag is 1.

2.8.6 Overflow Flag (O Flag)

The O flag becomes 1 when an arithmetic operation results in an overflow. Otherwise, it becomes 0.

2.8.7 Interrupt Enable Flag (I Flag)

The I flag enables maskable interrupts.

Maskable interrupts are disabled when the I flag is 0, and enabled when it is 1. The I flag becomes 0 when an interrupt request is accepted.

2.8.8 Stack Pointer Select Flag (U Flag)

ISP is selected when the U flag is 0. USP is selected when the U flag is 1.

The U flag becomes 0 when a hardware interrupt request is accepted, or the INT instruction of software interrupt number 0 to 31 is executed.

2.8.9 Processor Interrupt Priority Level (IPL)

IPL is 3 bits wide and assigns processor interrupt priority levels from 0 to 7.

If a requested interrupt has higher priority than IPL, the interrupt request is enabled.

2.8.10 Reserved Areas

Only set these bits to 0. The read value is undefined.

3. Memory

Special function registers (SFRs) are allocated from address 00000h to 003FFh and from 0D000h to 0D7FFh. Peripheral function control registers are located here. All blank spaces within SFRs are reserved, so do not access any blank spaces.

The internal RAM is allocated from address 00400h to superior direction. For example, a 8 KB internal RAM is addressed from 00400h to 023FFh. The internal RAM is used not only for data storage but also for stack area when subroutines are called or when interrupt request are acknowledged.

The internal ROM is flash memory. Four internal ROM areas are available: E²dataFlash, data flash, program ROM 1, and program ROM 2.

The data flash is addressed from 0E000h to 0FFFFh. This data flash space is used not only for data storage but also for program storage.

Program ROM 2 is assigned addresses 10000h to 13FFFh. Program ROM 1 is assigned addresses FFFFFh to inferior direction. For example, the 64 KB program ROM 1 space has addresses F0000h to FFFFFh.

The E²dataFlash is not shown in the memory map because the E2FA register value is used as an address. The E²dataFlash cannot be used for program storage. Whether the E²dataFlash is provided or not depends on the product.

The special page vectors are assigned addresses FFE00h to FFFD7h. They are used for the JMPS instruction and JSRS instruction. Refer to the M16C/60, M16C/20, M16C/Tiny Series Software Manual for details.

The fixed vector table for interrupts, ID code write address, OFS1 address and OSF2 address are assigned addresses FFFDBh to FFFFFh.

The 256 bytes beginning with the start address set in the INTB register compose the relocatable vector table for interrupts.

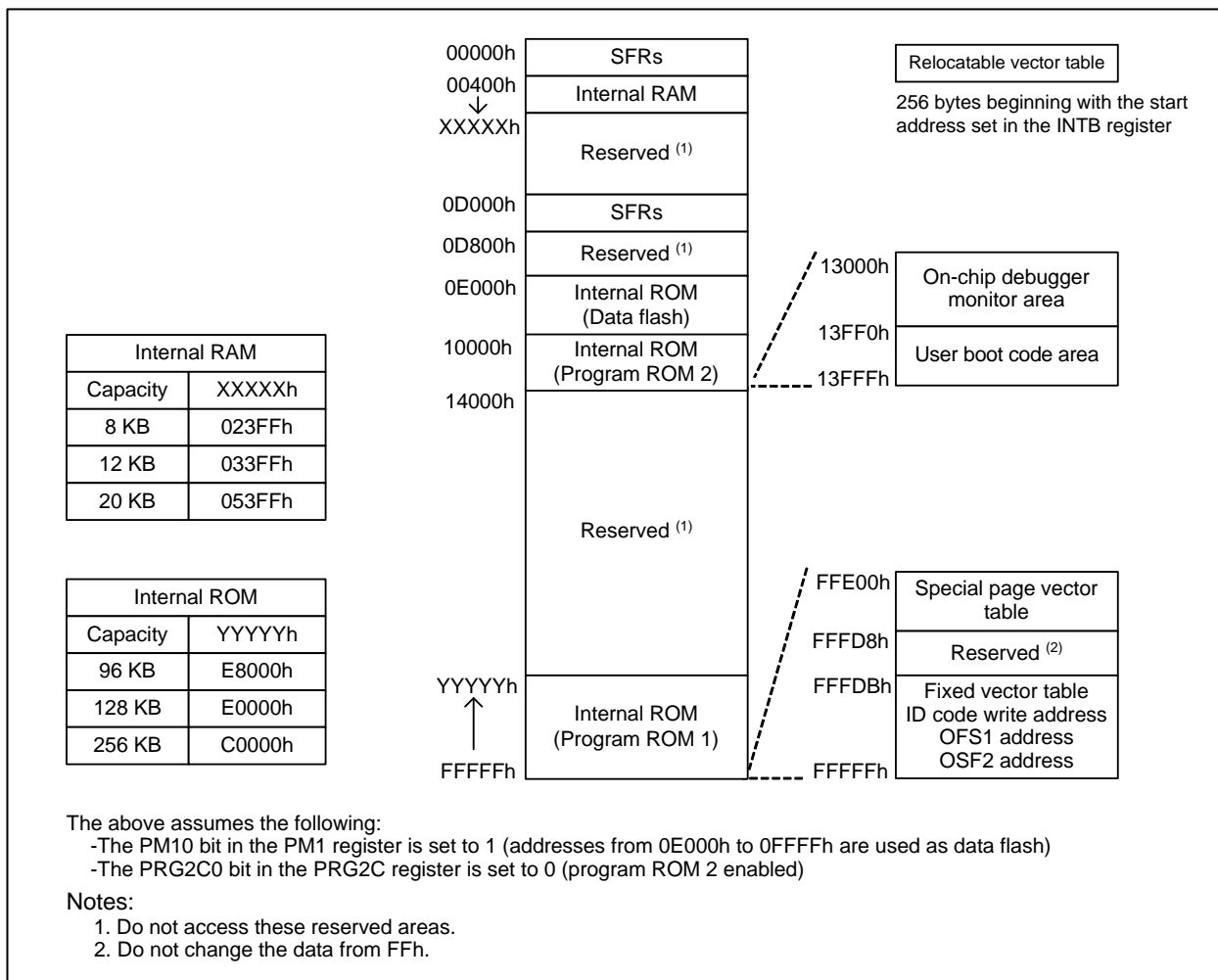


Figure 3.1 Memory Map

4. Special Function Registers (SFRs)

4.1 SFRs

An SFR is a control register for a peripheral function.

Table 4.1 SFR Information (1) ⁽¹⁾

Address	Register	Symbol	Reset Value
0000h			
0001h			
0002h			
0003h			
0004h	Processor Mode Register 0	PM0	00h
0005h	Processor Mode Register 1	PM1	0000 1000b
0006h	System Clock Control Register 0	CM0	0100 1000b
0007h	System Clock Control Register 1	CM1	0010 0000b
0008h			
0009h			
000Ah	Protect Register	PRCR	00h
000Bh			
000Ch	Oscillation Stop Detection Register	CM2	0X00 0010b ⁽³⁾
000Dh			
000Eh			
000Fh			
0010h	Program 2 Area Control Register	PRG2C	XXXX XX00b
0011h			
0012h	Peripheral Clock Select Register	PCLKR	0000 0011b
0013h			
0014h			
0015h	Clock Prescaler Reset Flag	CPSRF	0XXX XXXXb
0016h			
0017h			
0018h	Reset Source Determine Register	RSTFR	XX0X 001Xb (hardware reset) ⁽⁴⁾
0019h	Voltage Detector 2 Flag Register	VCR1	0000 1000b ⁽²⁾
001Ah	Voltage Detector Operation Enable Register	VCR2	000X 0000b ^(2, 5) 001X 0000b ^(2, 6)
001Bh			
001Ch	PLL Control Register 0	PLC0	0X01 X010b
001Dh			
001Eh	Processor Mode Register 2	PM2	XX00 0X01b
001Fh			

X: Undefined

Notes:

1. The blank areas are reserved. No access is allowed.
2. Software reset, watchdog timer reset, oscillator stop detect reset, and voltage monitor 2 reset do not affect the following registers: registers VCR1 and VCR2.
3. Oscillator stop detect reset does not affect bits CM20, CM21, and CM27.
4. The state of bits in the RSTFR register depends on the reset type.
5. This is the reset value when the LVDAS bit of the OFS1 address is 1 during hardware reset.
6. This is the reset value after voltage monitor 0 reset, power-on reset, or when the LVDAS bit of the OFS1 address is 0 during hardware reset.

Table 4.2 SFR Information (2) ⁽¹⁾

Address	Register	Symbol	Reset Value
0020h			
0021h			
0022h	40 MHz On-Chip Oscillator Control Register 0	FRA0	XXXX XX00b
0023h			
0024h	40 MHz On-Chip Oscillator Control Register 2	FRA2	0XX0 X000b
0025h			
0026h	Voltage Monitor Function Select Register	VWCE	00h
0027h			
0028h	Voltage Detector 2 Level Select Register	VD2LS	0000 0100b ⁽²⁾
0029h			
002Ah	Voltage Monitor 0 Control Register	VW0C	1100 1X10b ^(3, 4) 1100 1X11b ^(3, 5)
002Bh			
002Ch	Voltage Monitor 2 Control Register	VW2C	1000 0X10b ^(3, 6)
002Dh			
002Eh			
002Fh			
0030h			
0031h			
0032h			
0033h			
0034h			
0035h			
0036h			
0037h			
0038h			
0039h			
003Ah			
003Bh			
003Ch			
003Dh			
003Eh			
003Fh			

X: Undefined

Notes:

1. The blank areas are reserved. No access is allowed.
2. Hardware reset, power-on reset, voltage monitor 0 reset, or voltage monitor 2 reset.
3. Software reset, watchdog timer reset, oscillator stop detect reset, voltage monitor 0 reset, and voltage monitor 2 reset do not affect the following registers or bit: the VW0C register, and bits VW2C2 and VW2C3 in the VW2C register.
4. This is the reset value when the LVDAS bit of the OFS1 address is 1 during hardware reset
5. This is the reset value after voltage monitor 0 reset, power-on reset, or when the LVDAS bit of the OFS1 address is 0 during hardware reset.
6. This is the reset value after hardware reset, power-on reset, or voltage monitor 0 reset

Table 4.3 SFR Information (3) ⁽¹⁾

Address	Register	Symbol	Reset Value
0040h			
0041h	E ² dataFlash Interrupt Control Register	E2FIC	XXXX X000b
0042h	$\overline{\text{INT}}7$ Interrupt Control Register Serial Bus Interface 0 Interrupt Control Register	INT7IC SS0IC	XX00 X000b
0043h	$\overline{\text{INT}}6$ Interrupt Control Register LIN0 Interrupt Control Register	INT6IC LIN0IC	XX00 X000b
0044h	$\overline{\text{INT}}3$ Interrupt Control Register	INT3IC	XX00 X000b
0045h	Timer B5 Interrupt Control Register	TB5IC	XXXX X000b
0046h	Timer B4 Interrupt Control Register	TB4IC	XXXX X000b
0047h	Timer B3 Interrupt Control Register	TB3IC	XXXX X000b
0048h	$\overline{\text{INT}}5$ Interrupt Control Register	INT5IC	XX00 X000b
0049h	$\overline{\text{INT}}4$ Interrupt Control Register	INT4IC	XX00 X000b
004Ah	UART2 Bus Collision Detection Interrupt Control Register Task Monitoring Timer Interrupt Control Register	BCNIC TMOSIC	XXXX X000b
004Bh	DMA0 Interrupt Control Register	DM0IC	XXXX X000b
004Ch	DMA1 Interrupt Control Register	DM1IC	XXXX X000b
004Dh	Key Input Interrupt Control Register	KUPIC	XXXX X000b
004Eh	A/D Conversion Interrupt Control Register	ADIC	XXXX X000b
004Fh	UART2 Transmit Interrupt Control Register	S2TIC	XXXX X000b
0050h	UART2 Receive Interrupt Control Register	S2RIC	XXXX X000b
0051h	UART0 Transmit Interrupt Control Register LIN0 Low Detection Interrupt Control Register	S0TIC L0WIC	XXXX X000b
0052h	UART0 Receive Interrupt Control Register	S0RIC	XXXX X000b
0053h	UART1 Transmit Interrupt Control Register	S1TIC	XXXX X000b
0054h	UART1 Receive Interrupt Control Register	S1RIC	XXXX X000b
0055h	Timer A0 Interrupt Control Register	TA0IC	XXXX X000b
0056h	Timer A1 Interrupt Control Register	TA1IC	XXXX X000b
0057h	Timer A2 Interrupt Control Register	TA2IC	XXXX X000b
0058h	Timer A3 Interrupt Control Register	TA3IC	XXXX X000b
0059h	Timer A4 Interrupt Control Register	TA4IC	XXXX X000b
005Ah	Timer B0 Interrupt Control Register	TB0IC	XXXX X000b
005Bh	Timer B1 Interrupt Control Register	TB1IC	XXXX X000b
005Ch	Timer B2 Interrupt Control Register	TB2IC	XXXX X000b
005Dh	$\overline{\text{INT}}0$ Interrupt Control Register	INT0IC	XX00 X000b
005Eh	$\overline{\text{INT}}1$ Interrupt Control Register	INT1IC	XX00 X000b
005Fh	$\overline{\text{INT}}2$ Interrupt Control Register	INT2IC	XX00 X000b

X: Undefined

Note:

- The blank areas are reserved. No access is allowed.

Table 4.4 SFR Information (4) ⁽¹⁾

Address	Register	Symbol	Reset Value
0060h			
0061h			
0062h			
0063h			
0064h			
0065h			
0066h			
0067h			
0068h			
0069h	DMA2 Interrupt Control Register	DM2IC	XXXX X000b
006Ah	DMA3 Interrupt Control Register	DM3IC	XXXX X000b
006Bh	CAN 1 Reception Complete Interrupt Control Register	C1RIC	XXXX X000b
006Ch	CAN 1 Transmission Complete Interrupt Control Register	C1TIC	XXXX X000b
006Dh	CAN 1 Receive FIFO Interrupt Control Register	C1FRIC	XXXX X000b
006Eh	CAN 1 Transmit FIFO Interrupt Control Register	C1FTIC	XXXX X000b
006Fh	UART4 Transmit Interrupt Control Register Real-Time Clock Compare Interrupt Control Register	S4TIC RTCCIC	XXXX X000b
0070h	UART4 Receive Interrupt Control Register	S4RIC	XXXX X000b
0071h	CAN0 Wake-up Interrupt Control Register	C0WIC	XXXX X000b
0072h	UART3 Transmit Interrupt Control Register CAN0 Error Interrupt Control Register	S3TIC C0EIC	XXXX X000b
0073h	UART3 Receive Interrupt Control Register CAN 1 Wake-up Interrupt Control Register	S3RIC C1WIC	XXXX X000b
0074h	Real-Time Clock Cycle Interrupt Control Register CAN 1 Error Interrupt Control Register	RTCTIC C1EIC	XXXX X000b
0075h	CAN0 Reception Complete Interrupt Control Register	C0RIC	XXXX X000b
0076h	CAN0 Transmission Complete Interrupt Control Register	C0TIC	XXXX X000b
0077h	CAN0 Receive FIFO Interrupt Control Register	C0FRIC	XXXX X000b
0078h	CAN0 Transmit FIFO Interrupt Control Register	C0FTIC	XXXX X000b
0079h	IC/OC Interrupt 0 Control Register	ICOC0IC	XXXX X000b
007Ah	IC/OC Channel 0 Interrupt Control Register	ICOCH0IC	XXXX X000b
007Bh	IC/OC Interrupt 1 Control Register I2C-bus Interface Interrupt Control Register	ICOC1IC IICIC	XXXX X000b
007Ch	IC/OC Channel 1 Interrupt Control Register SCL/SDA Interrupt Control Register	ICOCH1IC SCLDAIC	XXXX X000b
007Dh	IC/OC Channel 2 Interrupt Control Register	ICOCH2IC	XXXX X000b
007Eh	IC/OC Channel 3 Interrupt Control Register	ICOCH3IC	XXXX X000b
007Fh	IC/OC Base Timer Interrupt Control Register	BTIC	XXXX X000b

X: Undefined

Note:

1. The blank areas are reserved. No access is allowed.

Table 4.5 SFR Information (5) ⁽¹⁾

Address	Register	Symbol	Reset Value
0080h	E ² dataFlash Address Register	E2FA	00h
0081h			00h
0082h			XXh
0083h			XXh
0084h			
0085h			
0086h			
0087h			
0088h	E ² dataFlash Command Register	E2FI	00h
0089h			XXh
008Ah			
008Bh			
008Ch	E ² dataFlash Data Register	E2FD	XXh
008Dh			XXh
008Eh			
008Fh			
0090h	E ² dataFlash Mode Register	E2FM	00h
0091h			
0092h	E ² dataFlash Control Register	E2FC	XXXX XXX0b
0093h			
0094h	E ² dataFlash Status Register 1	E2FS1	XXXX XXX0b
0095h			
0096h			
0097h			
0098h			
0099h			
009Ah			
009Bh			
009Ch			
009Dh			
009Eh			
009Fh			
00A0h			
00A1h	E ² dataFlash Status Register 0	E2FS0	0X00 XXXXb
00A2h			
00A3h			
00A4h			
00A5h			
00A6h			
00A7h			
00A8h			
00A9h			
00AAh			
00ABh			
00ACh			
00ADh			
00AEh			
00AFh			
00B0h to 015Fh			

X: Undefined

Note:

- The blank areas are reserved. No access is allowed.

Table 4.6 SFR Information (6) ⁽¹⁾

Address	Register	Symbol	Reset Value
0160h			
0161h	LIN Wake-up Baud Rate Select Register	LWBR	00h
0162h	LIN Baud Rate Prescaler 0 Register	LBRP0	00h
0163h	LIN Baud Rate Prescaler 1 Register	LBRP1	00h
0164h	LIN Self-test Control Register	LSTC	00h
0165h	LIN Port Clock Control Register	LPC	00h
0166h			
0167h			
0168h	LIN0 Mode Register	L0MD	00h
0169h	LIN0 Break Field Setting Register	L0BRK	00h
016Ah	LIN0 Space Width Setting Register	L0SPC	00h
016Bh	LIN0 Wake-up Setting Register	L0WUP	00h
016Ch	LIN0 Interrupt Enable Register	L0IE	00h
016Dh	LIN0 Error Detection Enable Register	L0EDE	00h
016Eh	LIN0 Control Register	L0C	00h
016Fh			
0170h	LIN0 Transmit Control Register	L0TC	00h
0171h	LIN0 Mode Status Register	L0MST	00h
0172h	LIN0 Status Register	L0ST	00h
0173h	LIN0 Error Status Register	L0EST	00h
0174h	LIN0 Response Field Setting Register	L0RFC	00h
0175h	LIN0 ID Buffer Register	L0IDB	XXh
0176h	LIN0 Checksum Buffer Register	L0CB	XXh
0177h			
0178h	LIN0 Data 1 Buffer Register	L0DB1	XXh
0179h	LIN0 Data 2 Buffer Register	L0DB2	XXh
017Ah	LIN0 Data 3 Buffer Register	L0DB3	XXh
017Bh	LIN0 Data 4 Buffer Register	L0DB4	XXh
017Ch	LIN0 Data 5 Buffer Register	L0DB5	XXh
017Dh	LIN0 Data 6 Buffer Register	L0DB6	XXh
017Eh	LIN0 Data 7 Buffer Register	L0DB7	XXh
017Fh	LIN0 Data 8 Buffer Register	L0DB8	XXh

X: Undefined

Note:

1. The blank areas are reserved. No access is allowed.

Table 4.7 SFR Information (7) ⁽¹⁾

Address	Register	Symbol	Reset Value
0180h	DMA0 Source Pointer	SAR0	XXh
0181h			XXh
0182h			0Xh
0183h			
0184h	DMA0 Destination Pointer	DAR0	XXh
0185h			XXh
0186h			0Xh
0187h			
0188h	DMA0 Transfer Counter	TCR0	XXh
0189h			XXh
018Ah			
018Bh			
018Ch	DMA0 Control Register	DM0CON	0000 0X00b
018Dh			
018Eh			
018Fh			
0190h	DMA1 Source Pointer	SAR1	XXh
0191h			XXh
0192h			0Xh
0193h			
0194h	DMA1 Destination Pointer	DAR1	XXh
0195h			XXh
0196h			0Xh
0197h			
0198h	DMA1 Transfer Counter	TCR1	XXh
0199h			XXh
019Ah			
019Bh			
019Ch	DMA1 Control Register	DM1CON	0000 0X00b
019Dh			
019Eh			
019Fh			
01A0h	DMA2 Source Pointer	SAR2	XXh
01A1h			XXh
01A2h			0Xh
01A3h			
01A4h	DMA2 Destination Pointer	DAR2	XXh
01A5h			XXh
01A6h			0Xh
01A7h			
01A8h	DMA2 Transfer Counter	TCR2	XXh
01A9h			XXh
01AAh			
01ABh			
01ACh	DMA2 Control Register	DM2CON	0000 0X00b
01ADh			
01AEh			
01AFh			

X: Undefined

Note:

1. The blank areas are reserved. No access is allowed.

Table 4.8 SFR Information (8) ⁽¹⁾

Address	Register	Symbol	Reset Value
01B0h	DMA3 Source Pointer	SAR3	XXh
01B1h			XXh
01B2h			0Xh
01B3h			
01B4h	DMA3 Destination Pointer	DAR3	XXh
01B5h			XXh
01B6h			0Xh
01B7h			
01B8h	DMA3 Transfer Counter	TCR3	XXh
01B9h			XXh
01BAh			
01BBh			
01BCh	DMA3 Control Register	DM3CON	0000 0X00b
01BDh			
01BEh			
01BFh			
01C0h	Timer B0-1 Register	TB01	XXh
01C1h			XXh
01C2h	Timer B1-1 Register	TB11	XXh
01C3h			XXh
01C4h	Timer B2-1 Register	TB21	XXh
01C5h			XXh
01C6h	Pulse Period/Pulse Width Measurement Mode Function Select Register 1	PPWFS1	XXXX X000b
01C7h			
01C8h	Timer B Count Source Select Register 0	TBCS0	00h
01C9h	Timer B Count Source Select Register 1	TBCS1	X0h
01CAh			
01CBh	Timer AB Division Control Register 0	TCKDIVC0	0000 X000b
01CCh			
01CDh			
01CEh			
01CFh			
01D0h	Timer A Count Source Select Register 0	TACS0	00h
01D1h	Timer A Count Source Select Register 1	TACS1	00h
01D2h	Timer A Count Source Select Register 2	TACS2	X0h
01D3h			
01D4h	16-bit Pulse Width Modulation Mode Function Select Register	PWMFS	0XX0 X00Xb
01D5h	Timer A Waveform Output Function Select Register	TAPOFS	XXX0 0000b
01D6h			
01D7h			
01D8h	Timer A Output Waveform Change Enable Register	TAOW	XXX0 X00Xb
01D9h			
01DAh	Three-Phase Protect Control Register	TPRC	00h
01DBh			
01DCh			
01DDh			
01DEh			
01DFh			

X: Undefined

Note:

1. The blank areas are reserved. No access is allowed.

Table 4.9 SFR Information (9) ⁽¹⁾

Address	Register	Symbol	Reset Value
01E0h	Timer B3-1 Register	TB31	XXh
01E1h			XXh
01E2h	Timer B4-1 Register	TB41	XXh
01E3h			XXh
01E4h	Timer B5-1 Register	TB51	XXh
01E5h			XXh
01E6h	Pulse Period/Pulse Width Measurement Mode Function Select Register 2	PPWFS2	XXXX X000b
01E7h			
01E8h	Timer B Count Source Select Register 2	TBCS2	00h
01E9h	Timer B Count Source Select Register 3	TBCS3	X0h
01EAh			
01EBh			
01ECh			
01EDh			
01EEh			
01EFh			
01F0h	Task Monitor Timer Register	TMOS	XXh
01F1h			XXh
01F2h	Task Monitor Timer Count Start Flag	TMOSSR	XXXX XXX0b
01F3h	Task Monitor Timer Count Source Select Register	TMOSCS	XXXX 0000b
01F4h	Task Monitor Timer Protect Register	TMOSPR	00h
01F5h			
01F6h			
01F7h			
01F8h			
01F9h			
01FAh			
01FBh			
01FCh			
01FDh			
01FEh			
01FFh			
0200h			
0201h			
0202h			
0203h			
0204h	Interrupt Source Select Register 4	IFSR4A	00h
0205h	Interrupt Source Select Register 3	IFSR3A	00h
0206h	Interrupt Source Select Register 2	IFSR2A	00h
0207h	Interrupt Source Select Register	IFSR	00h
0208h			
0209h			
020Ah			
020Bh			
020Ch			
020Dh			
020Eh	Address Match Interrupt Enable Register	AIER	XXXX XX00b
020Fh	Address Match Interrupt Enable Register 2	AIER2	XXXX XX00b

X: Undefined

Note:

- The blank areas are reserved. No access is allowed.

Table 4.10 SFR Information (10) ⁽¹⁾

Address	Register	Symbol	Reset Value
0210h	Address Match Interrupt Register 0	RMAD0	00h
0211h			00h
0212h			X0h
0213h			
0214h	Address Match Interrupt Register 1	RMAD1	00h
0215h			00h
0216h			X0h
0217h			
0218h	Address Match Interrupt Register 2	RMAD2	00h
0219h			00h
021Ah			X0h
021Bh			
021Ch	Address Match Interrupt Register 3	RMAD3	00h
021Dh			00h
021Eh			X0h
021Fh			
0220h	Flash Memory Control Register 0	FMR0	0000 0001b (Other than user boot mode) 0010 0001b (User boot mode)
0221h	Flash Memory Control Register 1	FMR1	00X0 XX0Xb
0222h	Flash Memory Control Register 2	FMR2	XXXX 0000b
0223h	Flash Memory Control Register 3	FMR3	XXXX 0000b
0224h			
0225h			
0226h			
0227h			
0228h			
0229h			
022Ah			
022Bh			
022Ch			
022Dh			
022Eh			
022Fh			
0230h	Flash Memory Control Register 6	FMR6	XX0X XX00b
0231h			
0232h			
0233h			
0234h			
0235h			
0236h			
0237h			
0238h			
0239h			
023Ah			
023Bh			
023Ch			
023Dh			
023Eh			
023Fh			

X: Undefined

Note:

- The blank areas are reserved. No access is allowed.

Table 4.11 SFR Information (11) ⁽¹⁾

Address	Register	Symbol	Reset Value
0240h			
0241h			
0242h			
0243h			
0244h			
0245h			
0246h			
0247h			
0248h	UART0 Transmit/Receive Mode Register	U0MR	00h
0249h	UART0 Bit Rate Register	U0BRG	XXh
024Ah	UART0 Transmit Buffer Register	U0TB	XXh
024Bh			XXh
024Ch	UART0 Transmit/Receive Control Register 0	U0C0	0000 1000b
024Dh	UART0 Transmit/Receive Control Register 1	U0C1	0000 0010b
024Eh	UART0 Receive Buffer Register	U0RB	XXh
024Fh			XXh
0250h			
0251h			
0252h	UART Clock Select Register	UCLKSELO	X0h
0253h			
0254h			
0255h			
0256h			
0257h			
0258h	UART1 Transmit/Receive Mode Register	U1MR	00h
0259h	UART1 Bit Rate Register	U1BRG	XXh
025Ah	UART1 Transmit Buffer Register	U1TB	XXh
025Bh			XXh
025Ch	UART1 Transmit/Receive Control Register 0	U1C0	0000 1000b
025Dh	UART1 Transmit/Receive Control Register 1	U1C1	0000 0010b
025Eh	UART1 Receive Buffer Register	U1RB	XXh
025Fh			XXh
0260h			
0261h			
0262h			
0263h			
0264h	UART2 Special Mode Register 4	U2SMR4	00h
0265h	UART2 Special Mode Register 3	U2SMR3	000X 0X0Xb
0266h	UART2 Special Mode Register 2	U2SMR2	X000 0000b
0267h	UART2 Special Mode Register	U2SMR	X000 0000b
0268h	UART2 Transmit/Receive Mode Register	U2MR	00h
0269h	UART2 Bit Rate Register	U2BRG	XXh
026Ah	UART2 Transmit Buffer Register	U2TB	XXh
026Bh			XXh
026Ch	UART2 Transmit/Receive Control Register 0	U2C0	0000 1000b
026Dh	UART2 Transmit/Receive Control Register 1	U2C1	0000 0010b
026Eh	UART2 Receive Buffer Register	U2RB	XXh
026Fh			XXh

X: Undefined

Note:

1. The blank areas are reserved. No access is allowed.

Table 4.12 SFR Information (12) ⁽¹⁾

Address	Register	Symbol	Reset Value
0270h			
0271h			
0272h			
0273h			
0274h			
0275h			
0276h			
0277h			
0278h			
0279h			
027Ah			
027Bh			
027Ch			
027Dh			
027Eh			
027Fh			
0280h			
0281h			
0282h			
0283h			
0284h			
0285h			
0286h			
0287h			
0288h			
0289h			
028Ah			
028Bh			
028Ch			
028Dh			
028Eh			
028Fh			
0290h			
0291h			
0292h			
0293h			
0294h			
0295h			
0296h			
0297h			
0298h	UART4 Transmit/Receive Mode Register	U4MR	00h
0299h	UART4 Bit Rate Register	U4BRG	XXh
029Ah	UART4 Transmit Buffer Register	U4TB	XXh
029Bh			XXh
029Ch	UART4 Transmit/Receive Control Register 0	U4C0	0000 1000b
029Dh	UART4 Transmit/Receive Control Register 1	U4C1	0000 0010b
029Eh	UART4 Receive Buffer Register	U4RB	XXh
029Fh			XXh

X: Undefined

Note:

1. The blank areas are reserved. No access is allowed.

Table 4.13 SFR Information (13) ⁽¹⁾

Address	Register	Symbol	Reset Value
02A0h			
02A1h			
02A2h			
02A3h			
02A4h			
02A5h			
02A6h			
02A7h			
02A8h	UART3 Transmit/Receive Mode Register	U3MR	00h
02A9h	UART3 Bit Rate Register	U3BRG	XXh
02AAh	UART3 Transmit Buffer Register	U3TB	XXh
02ABh			XXh
02ACh	UART3 Transmit/Receive Control Register 0	U3C0	0000 1000b
02ADh	UART3 Transmit/Receive Control Register 1	U3C1	0000 0010b
02AEh	UART3 Receive Buffer Register	U3RB	XXh
02AFh			XXh
02B0h	I2C0 Data Shift Register	S00	XXh
02B1h			
02B2h	I2C0 Address Register 0	S0D0	0000 000Xb
02B3h	I2C0 Control Register 0	S1D0	00h
02B4h	I2C0 Clock Control Register	S20	00h
02B5h	I2C0 Start/Stop Condition Control Register	S2D0	0001 1010b
02B6h	I2C0 Control Register 1	S3D0	0011 0000b
02B7h	I2C0 Control Register 2	S4D0	00h
02B8h	I2C0 Status Register 0	S10	0001 000Xb
02B9h	I2C0 Status Register 1	S11	XXXX X000b
02BAh	I2C0 Address Register 1	S0D1	0000 000Xb
02BBh	I2C0 Address Register 2	S0D2	0000 000Xb
02BCh			
02BDh			
02BEh			
02BFh			
02C0h	Time Measurement Register 0	G1TM0	XXh
02C1h	Waveform Generation Register 0	G1PO0	XXh
02C2h	Time Measurement Register 1	G1TM1	XXh
02C3h	Waveform Generation Register 1	G1PO1	XXh
02C4h	Time Measurement Register 2	G1TM2	XXh
02C5h	Waveform Generation Register 2	G1PO2	XXh
02C6h	Time Measurement Register 3	G1TM3	XXh
02C7h	Waveform Generation Register 3	G1PO3	XXh
02C8h	Time Measurement Register 4	G1TM4	XXh
02C9h	Waveform Generation Register 4	G1PO4	XXh
02CAh	Time Measurement Register 5	G1TM5	XXh
02CBh	Waveform Generation Register 5	G1PO5	XXh
02CCh	Time Measurement Register 6	G1TM6	XXh
02CDh	Waveform Generation Register 6	G1PO6	XXh
02CEh	Time Measurement Register 7	G1TM7	XXh
02CFh	Waveform Generation Register 7	G1PO7	XXh

X: Undefined

Note:

1. The blank areas are reserved. No access is allowed.

Table 4.14 SFR Information (14) ⁽¹⁾

Address	Register	Symbol	Reset Value
02D0h	Waveform Generation Control Register 0	G1POCR0	0X00 XX00b
02D1h	Waveform Generation Control Register 1	G1POCR1	0X00 XX00b
02D2h	Waveform Generation Control Register 2	G1POCR2	0X00 XX00b
02D3h	Waveform Generation Control Register 3	G1POCR3	0X00 XX00b
02D4h	Waveform Generation Control Register 4	G1POCR4	0X00 XX00b
02D5h	Waveform Generation Control Register 5	G1POCR5	0X00 XX00b
02D6h	Waveform Generation Control Register 6	G1POCR6	0X00 XX00b
02D7h	Waveform Generation Control Register 7	G1POCR7	0X00 XX00b
02D8h	Time Measurement Control Register 0	G1TMCR0	00h
02D9h	Time Measurement Control Register 1	G1TMCR1	00h
02DAh	Time Measurement Control Register 2	G1TMCR2	00h
02DBh	Time Measurement Control Register 3	G1TMCR3	00h
02DCh	Time Measurement Control Register 4	G1TMCR4	00h
02DDh	Time Measurement Control Register 5	G1TMCR5	00h
02DEh	Time Measurement Control Register 6	G1TMCR6	00h
02DFh	Time Measurement Control Register 7	G1TMCR7	00h
02E0h	Base Timer Register	G1BT	XXh
02E1h			XXh
02E2h	Base Timer Control Register 0	G1BCR0	00h
02E3h	Base Timer Control Register 1	G1BCR1	00h
02E4h	Time Measurement Prescaler Register 6	G1TPR6	00h
02E5h	Time Measurement Prescaler Register 7	G1TPR7	00h
02E6h	Function Enable Register	G1FE	00h
02E7h	Function Select Register	G1FS	00h
02E8h	Base Timer Reset Register	G1BTRR	XXh
02E9h			XXh
02EAh	Count Source Divide Register	G1DV	00h
02EBh			
02ECh	Waveform Output Master Enable Register	G1OER	00h
02EDh			
02EEh	Timer S I/O Control Register 0	G1IOR0	00h
02EFh	Timer S I/O Control Register 1	G1IOR1	00h
02F0h	Interrupt Request Register	G1IR	XXh
02F1h	Interrupt Enable Register 0	G1IE0	00h
02F2h	Interrupt Enable Register 1	G1IE1	00h
02F3h			
02F4h			
02F5h			
02F6h			
02F7h			
02F8h			
02F9h			
02FAh			
02FBh			
02FCh			
02FDh			
02FEh	NMI Digital Debounce Register	NDDR	FFh
02FFh	P1_7 Digital Debounce Register	P17DDR	FFh

X: Undefined

Note:

1. The blank areas are reserved. No access is allowed.

Table 4.15 SFR Information (15) ⁽¹⁾

Address	Register	Symbol	Reset Value
0300h	Timer B3/B4/B5 Count Start Flag	TBSR	000X XXXXb
0301h			
0302h	Timer A1-1 Register	TA11	XXh
0303h			XXh
0304h	Timer A2-1 Register	TA21	XXh
0305h			XXh
0306h	Timer A4-1 Register	TA41	XXh
0307h			XXh
0308h	Three-Phase PWM Control Register 0	INVC0	00h
0309h	Three-Phase PWM Control Register 1	INVC1	00h
030Ah	Three-Phase Output Buffer Register 0	IDB0	XX11 1111b
030Bh	Three-Phase Output Buffer Register 1	IDB1	XX11 1111b
030Ch	Dead Time Timer	DTT	XXh
030Dh	Timer B2 Interrupt Generation Frequency Set Counter	ICTB2	XXh
030Eh	Position-Data-Retain Function Control Register	PDRF	XXXX 0000b
030Fh			
0310h	Timer B3 Register	TB3	XXh
0311h			XXh
0312h	Timer B4 Register	TB4	XXh
0313h			XXh
0314h	Timer B5 Register	TB5	XXh
0315h			XXh
0316h			
0317h			
0318h	Port Function Control Register	PFCR	0011 1111b
0319h			
031Ah			
031Bh	Timer B3 Mode Register	TB3MR	00XX 0000b
031Ch	Timer B4 Mode Register	TB4MR	00XX 0000b
031Dh	Timer B5 Mode Register	TB5MR	00XX 0000b
031Eh			
031Fh			
0320h	Count Start Flag	TABSR	00h
0321h			
0322h	One-Shot Start Flag	ONSF	00h
0323h	Trigger Select Register	TRGSR	00h
0324h	Increment/Decrement Flag	UDF	00h
0325h			
0326h	Timer A0 Register	TA0	XXh
0327h			XXh
0328h	Timer A1 Register	TA1	XXh
0329h			XXh
032Ah	Timer A2 Register	TA2	XXh
032Bh			XXh
032Ch	Timer A3 Register	TA3	XXh
032Dh			XXh
032Eh	Timer A4 Register	TA4	XXh
032Fh			XXh

X: Undefined

Note:

- The blank areas are reserved. No access is allowed.

Table 4.16 SFR Information (16) ⁽¹⁾

Address	Register	Symbol	Reset Value
0330h	Timer B0 Register	TB0	XXh
0331h			XXh
0332h	Timer B1 Register	TB1	XXh
0333h			XXh
0334h	Timer B2 Register	TB2	XXh
0335h			XXh
0336h	Timer A0 Mode Register	TA0MR	00h
0337h	Timer A1 Mode Register	TA1MR	00h
0338h	Timer A2 Mode Register	TA2MR	00h
0339h	Timer A3 Mode Register	TA3MR	00h
033Ah	Timer A4 Mode Register	TA4MR	00h
033Bh	Timer B0 Mode Register	TB0MR	00XX 0000b
033Ch	Timer B1 Mode Register	TB1MR	00XX 0000b
033Dh	Timer B2 Mode Register	TB2MR	00XX 0000b
033Eh	Timer B2 Special Mode Register	TB2SC	X000 0000b
033Fh			
0340h	Real-Time Clock Second Data Register	RTCSEC	00h
0341h	Real-Time Clock Minute Data Register	RTCMIN	X000 0000b
0342h	Real-Time Clock Hour Data Register	RTCHR	XX00 0000b
0343h	Real-Time Clock Day Data Register	RTCWK	XXXX X000b
0344h	Real-Time Clock Control Register 1	RTCCR1	0000 X00Xb
0345h	Real-Time Clock Control Register 2	RTCCR2	X000 0000b
0346h	Real-Time Clock Count Source Select Register	RTCCSR	XXX0 0000b
0347h			
0348h	Real-Time Clock Second Compare Data Register	RTCCSEC	X000 0000b
0349h	Real-Time Clock Minute Compare Data Register	RTCCMIN	X000 0000b
034Ah	Real-Time Clock Hour Compare Data Register	RTCCHR	X000 0000b
034Bh			
034Ch			
034Dh			
034Eh			
034Fh			
0350h			
0351h			
0352h			
0353h	SS0 Bit Counter Register	SS0BR	1111 1000b
0354h	SS0 Transmit Data Register	SS0TDR	FFh
0355h			FFh
0356h	SS0 Receive Data Register	SS0RDR	FFh
0357h			FFh
0358h	SS0 Control Register H	SS0CRH	00h
0359h	SS0 Control Register L	SS0CRL	0111 1101b
035Ah	SS0 Mode Register	SS0MR	0001 0000b
035Bh	SS0 Enable Register	SS0ER	00h
035Ch	SS0 Status Register	SS0SR	00h
035Dh	SS0 Mode Register 2	SS0MR2	00h
035Eh			
035Fh			

X: Undefined

Note:

1. The blank areas are reserved. No access is allowed.

Table 4.17 SFR Information (17) ⁽¹⁾

Address	Register	Symbol	Reset Value
0360h	Pull-Up Control Register 0	PUR0	00h
0361h	Pull-Up Control Register 1	PUR1	00h
0362h	Pull-Up Control Register 2	PUR2	00h
0363h			
0364h			
0365h			
0366h	Port Control Register	PCR	0XX0 0XX0b
0367h			
0368h			
0369h			
036Ah			
036Bh			
036Ch	Input Threshold Select Register 0	VLT0	00h
036Dh	Input Threshold Select Register 1	VLT1	00h
036Eh	Input Threshold Select Register 2	VLT2	XX00 0000b
036Fh			
0370h	Pin Assignment Control Register	PACR	0XXX X000b
0371h			
0372h			
0373h			
0374h			
0375h			
0376h			
0377h			
0378h			
0379h			
037Ah			
037Bh			
037Ch	Count Source Protection Mode Register	CSPR	00h ⁽²⁾
037Dh	Watchdog Timer Refresh Register	WDTR	XXh
037Eh	Watchdog Timer Start Register	WDTS	XXh
037Fh	Watchdog Timer Control Register	WDC	00XX XXXXb
0380h			
0381h			
0382h			
0383h			
0384h			
0385h			
0386h			
0387h			
0388h			
0389h			
038Ah			
038Bh			
038Ch			
038Dh			
038Eh			
038Fh			

X: Undefined

Notes:

1. The blank areas are reserved. No access is allowed.
2. When the CSPROINI bit in the OFS1 address is 0, the reset value is 1000 0000b.

Table 4.18 SFR Information (18) ⁽¹⁾

Address	Register	Symbol	Reset Value
0390h	DMA2 Source Select Register	DM2SL	00h
0391h			
0392h	DMA3 Source Select Register	DM3SL	00h
0393h			
0394h			
0395h			
0396h			
0397h			
0398h	DMA0 Source Select Register	DM0SL	00h
0399h			
039Ah	DMA1 Source Select Register	DM1SL	00h
039Bh			
039Ch			
039Dh			
039Eh			
039Fh			
03A0h			
03A1h			
03A2h	Open-Circuit Detection Assist Function Register	AINRST	XX00 XXXXb
03A3h			
03A4h			
03A5h			
03A6h			
03A7h			
03A8h			
03A9h			
03AAh			
03ABh			
03ACh			
03ADh			
03AEh			
03AFh			
03B0h			
03B1h			
03B2h			
03B3h			
03B4h	SFR Snoop Address Register	CRCSAR	XXXX XXXXb
03B5h			00XX XXXXb
03B6h	CRC Mode Register	CRCMR	0XXX XXX0b
03B7h			
03B8h			
03B9h			
03BAh			
03BBh			
03BCh	CRC Data Register	CRCD	XXh
03BDh			XXh
03BEh	CRC Input Register	CRCIN	XXh
03BFh			

X: Undefined

Note:

1. The blank areas are reserved. No access is allowed.

Table 4.19 SFR Information (19) ⁽¹⁾

Address	Register	Symbol	Reset Value
03C0h	A/D Register 0	AD0	XXXX XXXXb
03C1h			0000 00XXb
03C2h	A/D Register 1	AD1	XXXX XXXXb
03C3h			0000 00XXb
03C4h	A/D Register 2	AD2	XXXX XXXXb
03C5h			0000 00XXb
03C6h	A/D Register 3	AD3	XXXX XXXXb
03C7h			0000 00XXb
03C8h	A/D Register 4	AD4	XXXX XXXXb
03C9h			0000 00XXb
03CAh	A/D Register 5	AD5	XXXX XXXXb
03CBh			0000 00XXb
03CCh	A/D Register 6	AD6	XXXX XXXXb
03CDh			0000 00XXb
03CEh	A/D Register 7	AD7	XXXX XXXXb
03CFh			0000 00XXb
03D0h			
03D1h			
03D2h			
03D3h			
03D4h	A/D Control Register 2	ADCON2	0000 X00Xb
03D5h			
03D6h	A/D Control Register 0	ADCON0	0000 0XXXb
03D7h	A/D Control Register 1	ADCON1	0000 X000b
03D8h	D/A0 Register	DA0	00h
03D9h			
03DAh			
03DBh			
03DCh	D/A Control Register	DACON	00h
03DDh			
03DEh			
03DFh			
03E0h	Port P0 Register	P0	XXh
03E1h	Port P1 Register	P1	XXh
03E2h	Port P0 Direction Register	PD0	00h
03E3h	Port P1 Direction Register	PD1	00h
03E4h	Port P2 Register	P2	XXh
03E5h	Port P3 Register	P3	XXh
03E6h	Port P2 Direction Register	PD2	00h
03E7h	Port P3 Direction Register	PD3	00h
03E8h	Port P4 Register	P4	XXh
03E9h	Port P5 Register	P5	XXh
03EAh	Port P4 Direction Register	PD4	00h
03EBh	Port P5 Direction Register	PD5	00h
03ECh	Port P6 Register	P6	XXh
03EDh	Port P7 Register	P7	XXh
03EEh	Port P6 Direction Register	PD6	00h
03EFh	Port P7 Direction Register	PD7	00h

X: Undefined

Note:

1. The blank areas are reserved. No access is allowed.

Table 4.20 SFR Information (20) ⁽¹⁾

Address	Register	Symbol	Reset Value
03F0h	Port P8 Register	P8	XXh
03F1h	Port P9 Register	P9	XXh
03F2h	Port P8 Direction Register	PD8	00h
03F3h	Port P9 Direction Register	PD9	00h
03F4h	Port P10 Register	P10	XXh
03F5h			
03F6h	Port P10 Direction Register	PD10	00h
03F7h			
03F8h			
03F9h			
03FAh			
03FBh			
03FCh			
03FDh			
03FEh			
03FFh			

X: Undefined

Note:

1. The blank areas are reserved. No access is allowed.

Table 4.21 SFR Information (21) ⁽¹⁾

Address	Register	Symbol	Reset Value
D1F0h			
D1F1h			
D1F2h			
D1F3h			
D1F4h			
D1F5h			
D1F6h			
D1F7h			
D1F8h			
D1F9h			
D1FAh			
D1FBh			
D1FCh			
D1FDh			
D1FEh			
D1FFh			
D200h	CAN1 Mailbox 0: Message Identifier	C1MB0	XXh
D201h			XXh
D202h			XXh
D203h			XXh
D204h			
D205h	CAN1 Mailbox 0: Data Length		XXh
D206h	CAN1 Mailbox 0: Data Field		XXh
D207h			XXh
D208h			XXh
D209h			XXh
D20Ah			XXh
D20Bh			XXh
D20Ch			XXh
D20Dh	XXh		
D20Eh	CAN1 Mailbox 0: Time Stamp		XXh
D20Fh			XXh
D210h	CAN1 Message Identifier		XXh
D211h			XXh
D212h			XXh
D213h			XXh
D214h			
D215h	CAN1 Mailbox 1: Data Length	XXh	
D216h	CAN1 Mailbox 1: Data Field	XXh	
D217h		XXh	
D218h		XXh	
D219h		XXh	
D21Ah		XXh	
D21Bh		XXh	
D21Ch		XXh	
D21Dh	XXh		
D21Eh	CAN1 Mailbox 1: Time Stamp	XXh	
D21Fh		XXh	

X: Undefined

Note:

1. The blank areas are reserved. No access is allowed.

Table 4.22 SFR Information (22) ⁽¹⁾

Address	Register	Symbol	Reset Value
D220h	CAN1 Mailbox 2: Message Identifier	C1MB2	XXh
D221h			XXh
D222h			XXh
D223h			XXh
D224h			
D225h	CAN1 Mailbox 2: Data Length		XXh
D226h	CAN1 Mailbox 2: Data Field		XXh
D227h			XXh
D228h			XXh
D229h			XXh
D22Ah			XXh
D22Bh			XXh
D22Ch			XXh
D22Dh	XXh		
D22Eh	CAN1 Mailbox 2: Time Stamp		XXh
D22Fh		XXh	
D230h	CAN1 Mailbox 3: Message Identifier	C1MB3	XXh
D231h			XXh
D232h			XXh
D233h			XXh
D234h			
D235h	CAN1 Mailbox 3: Data Length		XXh
D236h	CAN1 Mailbox 3: Data Field		XXh
D237h			XXh
D238h			XXh
D239h			XXh
D23Ah			XXh
D23Bh			XXh
D23Ch			XXh
D23Dh	XXh		
D23Eh	CAN1 Mailbox 3: Time Stamp		XXh
D23Fh		XXh	
D240h	CAN1 Mailbox 4: Message Identifier	C1MB4	XXh
D241h			XXh
D242h			XXh
D243h			XXh
D244h			
D245h	CAN1 Mailbox 4: Data Length		XXh
D246h	CAN1 Mailbox 4: Data Field		XXh
D247h			XXh
D248h			XXh
D249h			XXh
D24Ah			XXh
D24Bh			XXh
D24Ch			XXh
D24Dh	XXh		
D24Eh	CAN1 Mailbox 4: Time Stamp		XXh
D24Fh		XXh	

X: Undefined

Note:

1. The blank areas are reserved. No access is allowed.

Table 4.23 SFR Information (23) ⁽¹⁾

Address	Register	Symbol	Reset Value
D250h	CAN1 Mailbox 5: Message Identifier	C1MB5	XXh
D251h			XXh
D252h			XXh
D253h			XXh
D254h			
D255h	CAN1 Mailbox 5: Data Length		XXh
D256h	CAN1 Mailbox 5: Data Field		XXh
D257h			XXh
D258h			XXh
D259h			XXh
D25Ah			XXh
D25Bh			XXh
D25Ch			XXh
D25Dh			XXh
D25Eh	CAN1 Mailbox 5: Time Stamp		XXh
D25Fh		XXh	
D260h	CAN1 Mailbox 6: Message Identifier	C1MB6	XXh
D261h			XXh
D262h			XXh
D263h			XXh
D264h			
D265h	CAN1 Mailbox 6: Data Length		XXh
D266h	CAN1 Mailbox 6: Data Field		XXh
D267h			XXh
D268h			XXh
D269h			XXh
D26Ah			XXh
D26Bh			XXh
D26Ch			XXh
D26Dh			XXh
D26Eh	CAN1 Mailbox 6: Time Stamp		XXh
D26Fh		XXh	
D270h	CAN1 Mailbox 7: Message Identifier	C1MB7	XXh
D271h			XXh
D272h			XXh
D273h			XXh
D274h			
D275h	CAN1 Mailbox 7: Data Length		XXh
D276h	CAN1 Mailbox 7: Data Field		XXh
D277h			XXh
D278h			XXh
D279h			XXh
D27Ah			XXh
D27Bh			XXh
D27Ch			XXh
D27Dh			XXh
D27Eh	CAN1 Mailbox 7: Time Stamp		XXh
D27Fh		XXh	

X: Undefined

Note:

1. The blank areas are reserved. No access is allowed.

Table 4.24 SFR Information (24) ⁽¹⁾

Address	Register	Symbol	Reset Value
D280h	CAN1 Mailbox 8: Message Identifier	C1MB8	XXh
D281h			XXh
D282h			XXh
D283h			XXh
D284h			
D285h	CAN1 Mailbox 8: Data Length		XXh
D286h	CAN1 Mailbox 8: Data Field		XXh
D287h			XXh
D288h			XXh
D289h			XXh
D28Ah			XXh
D28Bh			XXh
D28Ch			XXh
D28Dh	XXh		
D28Eh	CAN1 Mailbox 8: Time Stamp		XXh
D28Fh		XXh	
D290h	CAN1 Mailbox 9: Message Identifier	C1MB9	XXh
D291h			XXh
D292h			XXh
D293h			XXh
D294h			
D295h	CAN1 Mailbox 9: Data Length		XXh
D296h	CAN1 Mailbox 9: Data Field		XXh
D297h			XXh
D298h			XXh
D299h			XXh
D29Ah			XXh
D29Bh			XXh
D29Ch			XXh
D29Dh	XXh		
D29Eh	CAN1 Mailbox 9: Time Stamp		XXh
D29Fh		XXh	
D2A0h	CAN1 Mailbox 10: Message Identifier	C1MB10	XXh
D2A1h			XXh
D2A2h			XXh
D2A3h			XXh
D2A4h			
D2A5h	CAN1 Mailbox 10: Data Length		XXh
D2A6h	CAN1 Mailbox 10: Data Field		XXh
D2A7h			XXh
D2A8h			XXh
D2A9h			XXh
D2AAh			XXh
D2ABh			XXh
D2ACh			XXh
D2ADh	XXh		
D2AEh	CAN1 Mailbox 10: Time Stamp		XXh
D2AFh		XXh	

X: Undefined

Note:

- The blank areas are reserved. No access is allowed.

Table 4.25 SFR Information (25) ⁽¹⁾

Address	Register	Symbol	Reset Value
D2B0h	CAN1 Mailbox 11: Message Identifier	C1MB11	XXh
D2B1h			XXh
D2B2h			XXh
D2B3h			XXh
D2B4h			
D2B5h	CAN1 Mailbox 11: Data Length		XXh
D2B6h	CAN1 Mailbox 11: Data Field		XXh
D2B7h			XXh
D2B8h			XXh
D2B9h			XXh
D2BAh			XXh
D2BBh			XXh
D2BCh			XXh
D2BDh			XXh
D2BEh	CAN1 Mailbox 11: Time Stamp		XXh
D2BFh		XXh	
D2C0h	CAN1 Mailbox 12: Message Identifier	C1MB12	XXh
D2C1h			XXh
D2C2h			XXh
D2C3h			XXh
D2C4h			
D2C5h	CAN1 Mailbox 12: Data Length		XXh
D2C6h	CAN1 Mailbox 12: Data Field		XXh
D2C7h			XXh
D2C8h			XXh
D2C9h			XXh
D2CAh			XXh
D2CBh			XXh
D2CCh			XXh
D2CDh			XXh
D2CEh	CAN1 Mailbox 12: Time Stamp		XXh
D2CFh		XXh	
D2D0h	CAN1 Mailbox 13: Message Identifier	C1MB13	XXh
D2D1h			XXh
D2D2h			XXh
D2D3h			XXh
D2D4h			
D2D5h	CAN1 Mailbox 13: Data Length		XXh
D2D6h	CAN1 Mailbox 13: Data Field		XXh
D2D7h			XXh
D2D8h			XXh
D2D9h			XXh
D2DAh			XXh
D2DBh			XXh
D2DCh			XXh
D2DDh			XXh
D2DEh	CAN1 Mailbox 13: Time Stamp		XXh
D2DFh		XXh	

X: Undefined

Note:

- The blank areas are reserved. No access is allowed.

Table 4.26 SFR Information (26) ⁽¹⁾

Address	Register	Symbol	Reset Value
D2E0h	CAN1 Mailbox 14: Message Identifier	C1MB14	XXh
D2E1h			XXh
D2E2h			XXh
D2E3h			XXh
D2E4h			
D2E5h	CAN1 Mailbox 14: Data Length		XXh
D2E6h	CAN1 Mailbox 14: Data Field		XXh
D2E7h			XXh
D2E8h			XXh
D2E9h			XXh
D2EAh			XXh
D2EBh			XXh
D2ECh			XXh
D2EDh	XXh		
D2EEh	CAN1 Mailbox 14: Time Stamp		XXh
D2EFh		XXh	
D2F0h	CAN1 Mailbox 15: Message Identifier	C1MB15	XXh
D2F1h			XXh
D2F2h			XXh
D2F3h			XXh
D2F4h			
D2F5h	CAN1 Mailbox 15: Data Length		XXh
D2F6h	CAN1 Mailbox 15: Data Field		XXh
D2F7h			XXh
D2F8h			XXh
D2F9h			XXh
D2FAh			XXh
D2FBh			XXh
D2FCh			XXh
D2FDh	XXh		
D2FEh	CAN1 Mailbox 15: Time Stamp		XXh
D2FFh		XXh	
D300h	CAN1 Mailbox16: Message Identifier	C1MB16	XXh
D301h			XXh
D302h			XXh
D303h			XXh
D304h			
D305h	CAN1 Mailbox 16: Data Length		XXh
D306h	CAN1 Mailbox 16: Data Field		XXh
D307h			XXh
D308h			XXh
D309h			XXh
D30Ah			XXh
D30Bh			XXh
D30Ch			XXh
D30Dh	XXh		
D30Eh	CAN1 Mailbox 16: Time Stamp		XXh
D30Fh		XXh	

X: Undefined

Note:

1. The blank areas are reserved. No access is allowed.

Table 4.27 SFR Information (27) ⁽¹⁾

Address	Register	Symbol	Reset Value
D310h	CAN1 Mailbox 17: Message Identifier	C1MB17	XXh
D311h			XXh
D312h			XXh
D313h			XXh
D314h			
D315h	CAN1 Mailbox 17: Data Length		XXh
D316h	CAN1 Mailbox 17: Data Field		XXh
D317h			XXh
D318h			XXh
D319h			XXh
D31Ah			XXh
D31Bh			XXh
D31Ch			XXh
D31Dh	XXh		
D31Eh	CAN1 Mailbox 17: Time Stamp		XXh
D31Fh			XXh
D320h	CAN1 Mailbox 18: Message Identifier		C1MB18
D321h		XXh	
D322h		XXh	
D323h		XXh	
D324h			
D325h	CAN1 Mailbox 18: Data Length	XXh	
D326h	CAN1 Mailbox 18: Data Field	XXh	
D327h		XXh	
D328h		XXh	
D329h		XXh	
D32Ah		XXh	
D32Bh		XXh	
D32Ch		XXh	
D32Dh	XXh		
D32Eh	CAN1 Mailbox 18: Time Stamp	XXh	
D32Fh		XXh	
D330h	CAN1 Mailbox 19: Message Identifier	C1MB19	
D331h			XXh
D332h			XXh
D333h			XXh
D334h			
D335h	CAN1 Mailbox 19: Data Length		XXh
D336h	CAN1 Mailbox 19: Data Field		XXh
D337h			XXh
D338h			XXh
D339h			XXh
D33Ah			XXh
D33Bh			XXh
D33Ch			XXh
D33Dh	XXh		
D33Eh	CAN1 Mailbox 19: Time Stamp		XXh
D33Fh			XXh

X: Undefined

Note:

- The blank areas are reserved. No access is allowed.

Table 4.28 SFR Information (28) ⁽¹⁾

Address	Register	Symbol	Reset Value	
D340h	CAN1 Mailbox 20: Message Identifier	C1MB20	XXh	
D341h			XXh	
D342h			XXh	
D343h			XXh	
D344h				
D345h	CAN1 Mailbox 20: Data Length		XXh	
D346h	CAN1 Mailbox 20: Data Field		XXh	
D347h			XXh	
D348h			XXh	
D349h			XXh	
D34Ah			XXh	
D34Bh			XXh	
D34Ch			XXh	
D34Dh			XXh	
D34Eh	CAN1 Mailbox 20: Time Stamp		XXh	
D34Fh			XXh	
D350h	CAN1 Mailbox 21: Message Identifier		C1MB21	XXh
D351h				XXh
D352h				XXh
D353h				XXh
D354h				
D355h	CAN1 Mailbox 21: Data Length	XXh		
D356h	CAN1 Mailbox 21: Data Field	XXh		
D357h		XXh		
D358h		XXh		
D359h		XXh		
D35Ah		XXh		
D35Bh		XXh		
D35Ch		XXh		
D35Dh		XXh		
D35Eh	CAN1 Mailbox 21: Time Stamp	XXh		
D35Fh		XXh		
D360h	CAN1 Mailbox 22: Message Identifier	C1MB22		XXh
D361h				XXh
D362h				XXh
D363h				XXh
D364h				
D365h	CAN1 Mailbox 22: Data Length		XXh	
D366h	CAN1 Mailbox 22: Data Field		XXh	
D367h			XXh	
D368h			XXh	
D369h			XXh	
D36Ah			XXh	
D36Bh			XXh	
D36Ch			XXh	
D36Dh			XXh	
D36Eh	CAN1 Mailbox 22: Time Stamp		XXh	
D36Fh			XXh	

X: Undefined

Note:

- The blank areas are reserved. No access is allowed.

Table 4.29 SFR Information (29) ⁽¹⁾

Address	Register	Symbol	Reset Value
D370h	CAN1 Mailbox 23: Message Identifier	C1MB23	XXh
D371h			XXh
D372h			XXh
D373h			XXh
D374h			
D375h	CAN1 Mailbox 23: Data Length		XXh
D376h	CAN1 Mailbox 23: Data Field		XXh
D377h			XXh
D378h			XXh
D379h			XXh
D37Ah			XXh
D37Bh			XXh
D37Ch			XXh
D37Dh	XXh		
D37Eh	CAN1 Mailbox 23: Time Stamp		XXh
D37Fh		XXh	
D380h	CAN1 Mailbox 24: Message Identifier	C1MB24	XXh
D381h			XXh
D382h			XXh
D383h			XXh
D384h			
D385h	CAN1 Mailbox 24: Data Length		XXh
D386h	CAN1 Mailbox 24: Data Field		XXh
D387h			XXh
D388h			XXh
D389h			XXh
D38Ah			XXh
D38Bh			XXh
D38Ch			XXh
D38Dh	XXh		
D38Eh	CAN1 Mailbox 24: Time Stamp		XXh
D38Fh		XXh	
D390h	CAN1 Mailbox 25: Message Identifier	C1MB25	XXh
D391h			XXh
D392h			XXh
D393h			XXh
D394h			
D395h	CAN1 Mailbox 25: Data Length		XXh
D396h	CAN1 Mailbox 25: Data Field		XXh
D397h			XXh
D398h			XXh
D399h			XXh
D39Ah			XXh
D39Bh			XXh
D39Ch			XXh
D39Dh	XXh		
D39Eh	CAN1 Mailbox 25: Time Stamp		XXh
D39Fh		XXh	

X: Undefined

Note:

1. The blank areas are reserved. No access is allowed.

Table 4.30 SFR Information (30) ⁽¹⁾

Address	Register	Symbol	Reset Value
D3A0h	CAN1 Mailbox 26: Message Identifier	C1MB26	XXh
D3A1h			XXh
D3A2h			XXh
D3A3h			XXh
D3A4h			
D3A5h	CAN1 Mailbox 26: Data Length		XXh
D3A6h	CAN1 Mailbox 26: Data Field		XXh
D3A7h			XXh
D3A8h			XXh
D3A9h			XXh
D3AAh			XXh
D3ABh			XXh
D3ACh			XXh
D3ADh			XXh
D3AEh	CAN1 Mailbox 26: Time Stamp		XXh
D3AFh		XXh	
D3B0h	CAN1 Mailbox 27: Message Identifier	C1MB27	XXh
D3B1h			XXh
D3B2h			XXh
D3B3h			XXh
D3B4h			
D3B5h	CAN1 Mailbox 27: Data Length		XXh
D3B6h	CAN1 Mailbox 27: Data Field		XXh
D3B7h			XXh
D3B8h			XXh
D3B9h			XXh
D3BAh			XXh
D3BBh			XXh
D3BCh			XXh
D3BDh			XXh
D3BEh	CAN1 Mailbox 27: Time Stamp		XXh
D3BFh		XXh	
D3C0h	CAN1 Mailbox 28: Message Identifier	C1MB28	XXh
D3C1h			XXh
D3C2h			XXh
D3C3h			XXh
D3C4h			
D3C5h	CAN1 Mailbox 28: Data Length		XXh
D3C6h	CAN1 Mailbox 28: Data Field		XXh
D3C7h			XXh
D3C8h			XXh
D3C9h			XXh
D3CAh			XXh
D3CBh			XXh
D3CCh			XXh
D3CDh			XXh
D3CEh	CAN1 Mailbox 28: Time Stamp		XXh
D3CFh		XXh	

X: Undefined

Note:

1. The blank areas are reserved. No access is allowed.

Table 4.31 SFR Information (31) ⁽¹⁾

Address	Register	Symbol	Reset Value	
D3D0h	CAN1 Mailbox 29: Message Identifier	C1MB29	XXh	
D3D1h			XXh	
D3D2h			XXh	
D3D3h			XXh	
D3D4h				
D3D5h	CAN1 Mailbox 29: Data Length		XXh	
D3D6h	CAN1 Mailbox 29: Data Field		XXh	
D3D7h			XXh	
D3D8h			XXh	
D3D9h			XXh	
D3DAh			XXh	
D3DBh			XXh	
D3DCh			XXh	
D3DDh			XXh	
D3DEh	CAN1 Mailbox 29: Time Stamp		XXh	
D3DFh			XXh	
D3E0h	CAN1 Mailbox 30: Message Identifier		C1MB30	XXh
D3E1h				XXh
D3E2h				XXh
D3E3h				XXh
D3E4h				
D3E5h	CAN1 Mailbox 30: Data Length	XXh		
D3E6h	CAN1 Mailbox 30: Data Field	XXh		
D3E7h		XXh		
D3E8h		XXh		
D3E9h		XXh		
D3EAh		XXh		
D3EBh		XXh		
D3ECh		XXh		
D3EDh		XXh		
D3EEh	CAN1 Mailbox 30: Time Stamp	XXh		
D3EFh		XXh		
D3F0h	CAN1 Mailbox 31: Message Identifier	C1MB31		XXh
D3F1h				XXh
D3F2h				XXh
D3F3h				XXh
D3F4h				
D3F5h	CAN1 Mailbox 31: Data Length		XXh	
D3F6h	CAN1 Mailbox 31: Data Field		XXh	
D3F7h			XXh	
D3F8h			XXh	
D3F9h			XXh	
D3FAh			XXh	
D3FBh			XXh	
D3FCh			XXh	
D3FDh			XXh	
D3FEh	CAN1 Mailbox 31: Time Stamp		XXh	
D3FFh			XXh	

X: Undefined

Note:

1. The blank areas are reserved. No access is allowed.

Table 4.32 SFR Information (32) ⁽¹⁾

Address	Register	Symbol	Reset Value
D400h	CAN1 Mask Register 0	C1MKR0	XXh
D401h			XXh
D402h			XXh
D403h			XXh
D404h	CAN1 Mask Register 1	C1MKR1	XXh
D405h			XXh
D406h			XXh
D407h			XXh
D408h	CAN1 Mask Register 2	C1MKR2	XXh
D409h			XXh
D40Ah			XXh
D40Bh			XXh
D40Ch	CAN1 Mask Register 3	C1MKR3	XXh
D40Dh			XXh
D40Eh			XXh
D40Fh			XXh
D410h	CAN1 Mask Register 4	C1MKR4	XXh
D411h			XXh
D412h			XXh
D413h			XXh
D414h	CAN1 Mask Register 5	C1MKR5	XXh
D415h			XXh
D416h			XXh
D417h			XXh
D418h	CAN1 Mask Register 6	C1MKR6	XXh
D419h			XXh
D41Ah			XXh
D41Bh			XXh
D41Ch	CAN1 Mask Register 7	C1MKR7	XXh
D41Dh			XXh
D41Eh			XXh
D41Fh			XXh
D420h	CAN1FIFO Receive ID Compare Register 0	C1FIDCR0	XXh
D421h			XXh
D422h			XXh
D423h			XXh
D424h	CAN1FIFO Receive ID Compare Register 1	C1FIDCR1	XXh
D425h			XXh
D426h			XXh
D427h			XXh
D428h	CAN1 Mask Invalid Register	C1MKIVLR	XXh
D429h			XXh
D42Ah			XXh
D42Bh			XXh
D42Ch	CAN1 Mailbox Interrupt Enable Register	C1MIER	XXh
D42Dh			XXh
D42Eh			XXh
D42Fh			XXh
D430h to D49Fh			

X: Undefined

Note:

1. The blank areas are reserved. No access is allowed.

Table 4.33 SFR Information (33) ⁽¹⁾

Address	Register	Symbol	Reset Value
D4A0h	CAN1 Message Control Register 0	C1MCTL0	00h
D4A1h	CAN1 Message Control Register 1	C1MCTL1	00h
D4A2h	CAN1 Message Control Register 2	C1MCTL2	00h
D4A3h	CAN1 Message Control Register 3	C1MCTL3	00h
D4A4h	CAN1 Message Control Register 4	C1MCTL4	00h
D4A5h	CAN1 Message Control Register 5	C1MCTL5	00h
D4A6h	CAN1 Message Control Register 6	C1MCTL6	00h
D4A7h	CAN1 Message Control Register 7	C1MCTL7	00h
D4A8h	CAN1 Message Control Register 8	C1MCTL8	00h
D4A9h	CAN1 Message Control Register 9	C1MCTL9	00h
D4AAh	CAN1 Message Control Register 10	C1MCTL10	00h
D4ABh	CAN1 Message Control Register 11	C1MCTL11	00h
D4ACh	CAN1 Message Control Register 12	C1MCTL12	00h
D4ADh	CAN1 Message Control Register 13	C1MCTL13	00h
D4AEh	CAN1 Message Control Register 14	C1MCTL14	00h
D4AFh	CAN1 Message Control Register 15	C1MCTL15	00h
D4B0h	CAN1 Message Control Register 16	C1MCTL16	00h
D4B1h	CAN1 Message Control Register 17	C1MCTL17	00h
D4B2h	CAN1 Message Control Register 18	C1MCTL18	00h
D4B3h	CAN1 Message Control Register 19	C1MCTL19	00h
D4B4h	CAN1 Message Control Register 20	C1MCTL20	00h
D4B5h	CAN1 Message Control Register 21	C1MCTL21	00h
D4B6h	CAN1 Message Control Register 22	C1MCTL22	00h
D4B7h	CAN1 Message Control Register 23	C1MCTL23	00h
D4B8h	CAN1 Message Control Register 24	C1MCTL24	00h
D4B9h	CAN1 Message Control Register 25	C1MCTL25	00h
D4BAh	CAN1 Message Control Register 26	C1MCTL26	00h
D4BBh	CAN1 Message Control Register 27	C1MCTL27	00h
D4BCh	CAN1 Message Control Register 28	C1MCTL28	00h
D4BDh	CAN1 Message Control Register 29	C1MCTL29	00h
D4BEh	CAN1 Message Control Register 30	C1MCTL30	00h
D4BFh	CAN1 Message Control Register 31	C1MCTL31	00h

X: Undefined

Note:

1. The blank areas are reserved. No access is allowed.

Table 4.34 SFR Information (34) ⁽¹⁾

Address	Register	Symbol	Reset Value
D4C0h	CAN1 Control Register	C1CTLR	0000 0101b
D4C1h			00h
D4C2h	CAN1 Status Register	C1STR	0000 0101b
D4C3h			00h
D4C4h	CAN1 Bit Configuration Register	C1BCR	00h
D4C5h			00h
D4C6h			00h
D4C7h	CAN1 Clock Select Register	C1CLKR	00h
D4C8h	CAN1 Receive FIFO Control Register	C1RFCR	10000000b
D4C9h	CAN1 Receive FIFO Pointer Control Register	C1RFPCR	XXh
D4CAh	CAN1 Transmit FIFO Control Register	C1TFCR	1000 0000b
D4CBh	CAN1 Transmit FIFO Pointer Control Register	C1TFPCR	XXh
D4CCh	CAN1 Error Interrupt Enable Register	C1EIER	00h
D4CDh	CAN1 Error Interrupt Source Judge Register	C1EIFR	00h
D4CEh	CAN1 Receive Error Count Register	C1RECR	00h
D4CFh	CAN1 Transmit Error Count Register	C1TECR	00h
D4D0h	CAN1 Error Code Store Register	C1ECSR	00h
D4D1h	CAN1 Channel Search Support Register	C1CSSR	XXh
D4D2h	CAN1 Mailbox Search Status Register	C1MSSR	1000 0000b
D4D3h	CAN1 Mailbox Search Mode Register	C1MSMR	0000 0000b
D4D4h	CAN1 Time Stamp Register	C1TSR	00h
D4D5h			00h
D4D6h	CAN1 Acceptance Filter Support Register	C1AFSR	XXh
D4D7h			XXh
D4D8h	CAN1 Test Control Register	C1TCR	00h
D4D9h			
D4DAh			
D4DBh			
D4DCh			
D4DDh			
D4DEh			
D4DFh			
D4E0h to D4FFh			

X: Undefined

Note:

1. The blank areas are reserved. No access is allowed.

Table 4.35 SFR Information (35) ⁽¹⁾

Address	Register	Symbol	Reset Value
D500h	CAN0 Mailbox 0: Message Identifier	COMBO	XXh
D501h			XXh
D502h			XXh
D503h			XXh
D504h			
D505h	CAN0 Mailbox 0: Data Length		XXh
D506h	CAN0 Mailbox 0: Data Field		XXh
D507h			XXh
D508h			XXh
D509h			XXh
D50Ah			XXh
D50Bh			XXh
D50Ch			XXh
D50Dh			XXh
D50Eh	CAN0 Mailbox 0: Time Stamp		XXh
D50Fh			XXh
D510h	CAN0 Mailbox 1: Message Identifier	COMB1	XXh
D511h			XXh
D512h			XXh
D513h			XXh
D514h			
D515h	CAN0 Mailbox 1: Data Length		XXh
D516h	CAN0 Mailbox 1: Data Field		XXh
D517h			XXh
D518h			XXh
D519h			XXh
D51Ah			XXh
D51Bh			XXh
D51Ch			XXh
D51Dh			XXh
D51Eh	CAN0 Mailbox 1: Time Stamp		XXh
D51Fh			XXh
D520h	CAN0 Mailbox 2: Message Identifier	COMB2	XXh
D521h			XXh
D522h			XXh
D523h			XXh
D524h			
D525h	CAN0 Mailbox 2: Data Length		XXh
D526h	CAN0 Mailbox 2: Data Field		XXh
D527h			XXh
D528h			XXh
D529h			XXh
D52Ah			XXh
D52Bh			XXh
D52Ch			XXh
D52Dh			XXh
D52Eh	CAN0 Mailbox 2: Time Stamp		XXh
D52Fh			XXh

X: Undefined

Note:

1. The blank areas are reserved. No access is allowed.

Table 4.36 SFR Information (36) ⁽¹⁾

Address	Register	Symbol	Reset Value
D530h	CAN0 Mailbox 3: Message Identifier	C0MB3	XXh
D531h			XXh
D532h			XXh
D533h			XXh
D534h			
D535h	CAN0 Mailbox 3: Data Length		XXh
D536h	CAN0 Mailbox 3: Data Field		XXh
D537h			XXh
D538h			XXh
D539h			XXh
D53Ah			XXh
D53Bh			XXh
D53Ch			XXh
D53Dh			XXh
D53Eh	CAN0 Mailbox 3: Time Stamp		XXh
D53Fh			XXh
D540h	CAN0 Mailbox 4: Message Identifier		C0MB4
D541h		XXh	
D542h		XXh	
D543h		XXh	
D544h			
D545h	CAN0 Mailbox 4: Data Length	XXh	
D546h	CAN0 Mailbox 4: Data Field	XXh	
D547h		XXh	
D548h		XXh	
D549h		XXh	
D54Ah		XXh	
D54Bh		XXh	
D54Ch		XXh	
D54Dh		XXh	
D54Eh	CAN0 Mailbox 4: Time Stamp	XXh	
D54Fh		XXh	
D550h	CAN0 Mailbox 5: Message Identifier	C0MB5	
D551h			XXh
D552h			XXh
D553h			XXh
D554h			
D555h	CAN0 Mailbox 5: Data Length		XXh
D556h	CAN0 Mailbox 5: Data Field		XXh
D557h			XXh
D558h			XXh
D559h			XXh
D55Ah			XXh
D55Bh			XXh
D55Ch			XXh
D55Dh			XXh
D55Eh	CAN0 Mailbox 5: Time Stamp		XXh
D55Fh			XXh

X: Undefined

Note:

1. The blank areas are reserved. No access is allowed.

Table 4.37 SFR Information (37) ⁽¹⁾

Address	Register	Symbol	Reset Value
D560h	CAN0 Mailbox 6: Message Identifier	C0MB6	XXh
D561h			XXh
D562h			XXh
D563h			XXh
D564h			
D565h	CAN0 Mailbox 6: Data Length		XXh
D566h	CAN0 Mailbox 6: Data Field		XXh
D567h			XXh
D568h			XXh
D569h			XXh
D56Ah			XXh
D56Bh			XXh
D56Ch			XXh
D56Dh			XXh
D56Eh	CAN0 Mailbox 6: Time Stamp		XXh
D56Fh			XXh
D570h	CAN0 Mailbox 7: Message Identifier	C0MB7	XXh
D571h			XXh
D572h			XXh
D573h			XXh
D574h			
D575h	CAN0 Mailbox 7: Data Length		XXh
D576h	CAN0 Mailbox 7: Data Field		XXh
D577h			XXh
D578h			XXh
D579h			XXh
D57Ah			XXh
D57Bh			XXh
D57Ch			XXh
D57Dh			XXh
D57Eh	CAN0 Mailbox 7: Time Stamp		XXh
D57Fh			XXh
D580h	CAN0 Mailbox 8: Message Identifier	C0MB8	XXh
D581h			XXh
D582h			XXh
D583h			XXh
D584h			
D585h	CAN0 Mailbox 8: Data Length		XXh
D586h	CAN0 Mailbox 8: Data Field		XXh
D587h			XXh
D588h			XXh
D589h			XXh
D58Ah			XXh
D58Bh			XXh
D58Ch			XXh
D58Dh			XXh
D58Eh	CAN0 Mailbox 8: Time Stamp		XXh
D58Fh			XXh

X: Undefined

Note:

1. The blank areas are reserved. No access is allowed.

Table 4.38 SFR Information (38) ⁽¹⁾

Address	Register	Symbol	Reset Value
D590h	CAN0 Mailbox 9: Message Identifier	COMB9	XXh
D591h			XXh
D592h			XXh
D593h			XXh
D594h			
D595h	CAN0 Mailbox 9: Data Length		XXh
D596h	CAN0 Mailbox 9: Data Field		XXh
D597h			XXh
D598h			XXh
D599h			XXh
D59Ah			XXh
D59Bh			XXh
D59Ch			XXh
D59Dh			XXh
D59Eh	CAN0 Mailbox 9: Time Stamp		XXh
D59Fh			XXh
D5A0h	CAN0 Mailbox 10: Message Identifier		COMB10
D5A1h		XXh	
D5A2h		XXh	
D5A3h		XXh	
D5A4h			
D5A5h	CAN0 Mailbox 10: Data Length	XXh	
D5A6h	CAN0 Mailbox 10: Data Field	XXh	
D5A7h		XXh	
D5A8h		XXh	
D5A9h		XXh	
D5AAh		XXh	
D5ABh		XXh	
D5ACh		XXh	
D5ADh		XXh	
D5AEh	CAN0 Mailbox 10: Time Stamp	XXh	
D5AFh		XXh	
D5B0h	CAN0 Mailbox 11: Message Identifier	COMB11	
D5B1h			XXh
D5B2h			XXh
D5B3h			XXh
D5B4h			
D5B5h	CAN0 Mailbox 11: Data Length		XXh
D5B6h	CAN0 Mailbox 11: Data Field		XXh
D5B7h			XXh
D5B8h			XXh
D5B9h			XXh
D5BAh			XXh
D5BBh			XXh
D5BCh			XXh
D5BDh			XXh
D5BEh	CAN0 Mailbox 11: Time Stamp		XXh
D5BFh			XXh

X: Undefined

Note:

1. The blank areas are reserved. No access is allowed.

Table 4.39 SFR Information (39) ⁽¹⁾

Address	Register	Symbol	Reset Value
D5C0h	CAN0 Mailbox 12: Message Identifier	COMB12	XXh
D5C1h			XXh
D5C2h			XXh
D5C3h			XXh
D5C4h			
D5C5h	CAN0 Mailbox 12: Data Length		XXh
D5C6h	CAN0 Mailbox 12: Data Field		XXh
D5C7h			XXh
D5C8h			XXh
D5C9h			XXh
D5CAh			XXh
D5CBh			XXh
D5CCh			XXh
D5CDh			XXh
D5CEh	CAN0 Mailbox 12: Time Stamp		XXh
D5CFh			XXh
D5D0h	CAN0 Mailbox 13: Message Identifier	COMB13	XXh
D5D1h			XXh
D5D2h			XXh
D5D3h			XXh
D5D4h			
D5D5h	CAN0 Mailbox 13: Data Length		XXh
D5D6h	CAN0 Mailbox 13: Data Field		XXh
D5D7h			XXh
D5D8h			XXh
D5D9h			XXh
D5DAh			XXh
D5DBh			XXh
D5DCh			XXh
D5DDh			XXh
D5DEh	CAN0 Mailbox 13: Time Stamp		XXh
D5DFh			XXh
D5E0h	CAN0 Mailbox 14: Message Identifier	COMB14	XXh
D5E1h			XXh
D5E2h			XXh
D5E3h			XXh
D5E4h			
D5E5h	CAN0 Mailbox 14: Data Length		XXh
D5E6h	CAN0 Mailbox 14: Data Field		XXh
D5E7h			XXh
D5E8h			XXh
D5E9h			XXh
D5EAh			XXh
D5EBh			XXh
D5ECh			XXh
D5EDh			XXh
D5EEh	CAN0 Mailbox 14: Time Stamp		XXh
D5EFh			XXh

X: Undefined

Note:

- The blank areas are reserved. No access is allowed.

Table 4.40 SFR Information (40) ⁽¹⁾

Address	Register	Symbol	Reset Value
D5F0h	CAN0 Mailbox 15: Message Identifier	COMB15	XXh
D5F1h			XXh
D5F2h			XXh
D5F3h			XXh
D5F4h			
D5F5h	CAN0 Mailbox 15: Data Length		XXh
D5F6h	CAN0 Mailbox 15: Data Field		XXh
D5F7h			XXh
D5F8h			XXh
D5F9h			XXh
D5FAh			XXh
D5FBh			XXh
D5FCh			XXh
D5FDh			XXh
D5FEh	CAN0 Mailbox 15: Time Stamp		XXh
D5FFh			XXh
D600h	CAN0 Mailbox 16: Message Identifier		COMB16
D601h		XXh	
D602h		XXh	
D603h		XXh	
D604h			
D605h	CAN0 Mailbox 16: Data Length	XXh	
D606h	CAN0 Mailbox 16: Data Field	XXh	
D607h		XXh	
D608h		XXh	
D609h		XXh	
D60Ah		XXh	
D60Bh		XXh	
D60Ch		XXh	
D60Dh		XXh	
D60Eh	CAN0 Mailbox 16: Time Stamp	XXh	
D60Fh		XXh	
D610h	CAN0 Mailbox 17: Message Identifier	COMB17	
D611h			XXh
D612h			XXh
D613h			XXh
D614h			
D615h	CAN0 Mailbox 17: Data Length		XXh
D616h	CAN0 Mailbox 17: Data Field		XXh
D617h			XXh
D618h			XXh
D619h			XXh
D61Ah			XXh
D61Bh			XXh
D61Ch			XXh
D61Dh			XXh
D61Eh	CAN0 Mailbox 17: Time Stamp		XXh
D61Fh			XXh

X: Undefined

Note:

- The blank areas are reserved. No access is allowed.

Table 4.41 SFR Information (41) ⁽¹⁾

Address	Register	Symbol	Reset Value
D620h	CAN0 Mailbox 18: Message Identifier	C0MB18	XXh
D621h			XXh
D622h			XXh
D623h			XXh
D624h			
D625h	CAN0 Mailbox 18: Data Length		XXh
D626h	CAN0 Mailbox 18: Data Field		XXh
D627h			XXh
D628h			XXh
D629h			XXh
D62Ah			XXh
D62Bh			XXh
D62Ch			XXh
D62Dh			XXh
D62Eh	CAN0 Mailbox 18: Time Stamp		XXh
D62Fh			XXh
D630h	CAN0 Mailbox 19: Message Identifier	C0MB19	XXh
D631h			XXh
D632h			XXh
D633h			XXh
D634h			
D635h	CAN0 Mailbox 19: Data Length		XXh
D636h	CAN0 Mailbox 19: Data Field		XXh
D637h			XXh
D638h			XXh
D639h			XXh
D63Ah		XXh	
D63Bh		XXh	
D63Ch		XXh	
D63Dh		XXh	
D63Eh	CAN0 Mailbox 19: Time Stamp	XXh	
D63Fh		XXh	
D640h	CAN0 Mailbox 20: Message Identifier	C0MB20	XXh
D641h			XXh
D642h			XXh
D643h			XXh
D644h			
D645h	CAN0 Mailbox 20: Data Length		XXh
D646h	CAN0 Mailbox 20: Data Field		XXh
D647h			XXh
D648h		XXh	
D649h		XXh	
D64Ah		XXh	
D64Bh		XXh	
D64Ch		XXh	
D64Dh		XXh	
D64Eh	CAN0 Mailbox 20: Time Stamp	XXh	
D64Fh		XXh	

X: Undefined

Note:

- The blank areas are reserved. No access is allowed.

Table 4.42 SFR Information (42) ⁽¹⁾

Address	Register	Symbol	Reset Value
D650h	CAN0 Mailbox 21: Message Identifier	COMB21	XXh
D651h			XXh
D652h			XXh
D653h			XXh
D654h			
D655h	CAN0 Mailbox 21: Data Length		XXh
D656h	CAN0 Mailbox 21: Data Field		XXh
D657h			XXh
D658h			XXh
D659h			XXh
D65Ah			XXh
D65Bh			XXh
D65Ch			XXh
D65Dh			XXh
D65Eh	CAN0 Mailbox 21: Time Stamp		XXh
D65Fh			XXh
D660h	CAN0 Mailbox 22: Message Identifier	COMB22	XXh
D661h			XXh
D662h			XXh
D663h			XXh
D664h			
D665h	CAN0 Mailbox 22: Data Length		XXh
D666h	CAN0 Mailbox 22: Data Field		XXh
D667h			XXh
D668h			XXh
D669h			XXh
D66Ah			XXh
D66Bh			XXh
D66Ch			XXh
D66Dh			XXh
D66Eh	CAN0 Mailbox 22: Time Stamp		XXh
D66Fh			XXh
D670h	CAN0 Mailbox 23: Message Identifier	COMB23	XXh
D671h			XXh
D672h			XXh
D673h			XXh
D674h			
D675h	CAN0 Mailbox 23: Data Length		XXh
D676h	CAN0 Mailbox 23: Data Field		XXh
D677h			XXh
D678h			XXh
D679h			XXh
D67Ah			XXh
D67Bh			XXh
D67Ch			XXh
D67Dh			XXh
D67Eh	CAN0 Mailbox 23: Time Stamp		XXh
D67Fh			XXh

X: Undefined

Note:

1. The blank areas are reserved. No access is allowed.

Table 4.43 SFR Information (43) ⁽¹⁾

Address	Register	Symbol	Reset Value	
D680h	CAN0 Mailbox 24: Message Identifier	C0MB24	XXh	
D681h			XXh	
D682h			XXh	
D683h			XXh	
D684h				
D685h	CAN0 Mailbox 24: Data Length		XXh	
D686h	CAN0 Mailbox 24: Data Field		XXh	
D687h			XXh	
D688h			XXh	
D689h			XXh	
D68Ah			XXh	
D68Bh			XXh	
D68Ch			XXh	
D68Dh			XXh	
D68Eh	CAN0 Mailbox 24: Time Stamp		XXh	
D68Fh			XXh	
D690h	CAN0 Mailbox 25: Message Identifier		C0MB25	XXh
D691h				XXh
D692h				XXh
D693h				XXh
D694h				
D695h	CAN0 Mailbox 25: Data Length			XXh
D696h	CAN0 Mailbox 25: Data Field			XXh
D697h				XXh
D698h		XXh		
D699h		XXh		
D69Ah		XXh		
D69Bh		XXh		
D69Ch		XXh		
D69Dh		XXh		
D69Eh	CAN0 Mailbox 25: Time Stamp	XXh		
D69Fh		XXh		
D6A0h	CAN0 Mailbox 26: Message Identifier	C0MB26		XXh
D6A1h				XXh
D6A2h				XXh
D6A3h				XXh
D6A4h				
D6A5h	CAN0 Mailbox 26: Data Length			XXh
D6A6h	CAN0 Mailbox 26: Data Field			XXh
D6A7h				XXh
D6A8h			XXh	
D6A9h			XXh	
D6AAh			XXh	
D6ABh			XXh	
D6ACh			XXh	
D6ADh			XXh	
D6AEh	CAN0 Mailbox 26: Time Stamp		XXh	
D6AFh			XXh	

X: Undefined

Note:

1. The blank areas are reserved. No access is allowed.

Table 4.44 SFR Information (44) ⁽¹⁾

Address	Register	Symbol	Reset Value
D6B0h	CAN0 Mailbox 27: Message Identifier	COMB27	XXh
D6B1h			XXh
D6B2h			XXh
D6B3h			XXh
D6B4h			
D6B5h	CAN0 Mailbox 27: Data Length		XXh
D6B6h	CAN0 Mailbox 27: Data Field		XXh
D6B7h			XXh
D6B8h			XXh
D6B9h			XXh
D6BAh			XXh
D6BBh			XXh
D6BCh			XXh
D6BDh			XXh
D6BEh	CAN0 Mailbox 27: Time Stamp		XXh
D6BFh			XXh
D6C0h	CAN0 Mailbox 28: Message Identifier		COMB28
D6C1h		XXh	
D6C2h		XXh	
D6C3h		XXh	
D6C4h			
D6C5h	CAN0 Mailbox 28: Data Length	XXh	
D6C6h	CAN0 Mailbox 28: Data Field	XXh	
D6C7h		XXh	
D6C8h		XXh	
D6C9h		XXh	
D6CAh		XXh	
D6CBh		XXh	
D6CCh		XXh	
D6CDh		XXh	
D6CEh	CAN0 Mailbox 28: Time Stamp	XXh	
D6CFh		XXh	
D6D0h	CAN0 Mailbox 29: Message Identifier	COMB29	
D6D1h			XXh
D6D2h			XXh
D6D3h			XXh
D6D4h			
D6D5h	CAN0 Mailbox 29: Data Length		XXh
D6D6h	CAN0 Mailbox 29: Data Field		XXh
D6D7h			XXh
D6D8h			XXh
D6D9h			XXh
D6DAh			XXh
D6DBh			XXh
D6DCh			XXh
D6DDh			XXh
D6DEh	CAN0 Mailbox 29: Time Stamp		XXh
D6DFh			XXh

X: Undefined

Note:

1. The blank areas are reserved. No access is allowed.

Table 4.45 SFR Information (45) ⁽¹⁾

Address	Register	Symbol	Reset Value
D6E0h	CAN0 Mailbox 30: Message Identifier	COMB30	XXh
D6E1h			XXh
D6E2h			XXh
D6E3h			XXh
D6E4h			
D6E5h	CAN0 Mailbox 30: Data Length		XXh
D6E6h	CAN0 Mailbox 30: Data Field		XXh
D6E7h			XXh
D6E8h			XXh
D6E9h			XXh
D6EAh			XXh
D6EBh			XXh
D6ECh			XXh
D6EDh			XXh
D6EEh	CAN0 Mailbox 30: Time Stamp		XXh
D6EFh		XXh	
D6F0h	CAN0 Mailbox 31: Message Identifier	COMB31	XXh
D6F1h			XXh
D6F2h			XXh
D6F3h			XXh
D6F4h			
D6F5h	CAN0 Mailbox 31: Data Length		XXh
D6F6h	CAN0 Mailbox 31: Data Field		XXh
D6F7h			XXh
D6F8h			XXh
D6F9h			XXh
D6FAh			XXh
D6FBh			XXh
D6FCh			XXh
D6FDh			XXh
D6FEh	CAN0 Mailbox 31: Time Stamp		XXh
D6FFh		XXh	
D700h	CAN0 Mask Register 0	COMKR0	XXh
D701h			XXh
D702h			XXh
D703h			XXh
D704h	CAN0 Mask Register 1	COMKR1	XXh
D705h			XXh
D706h			XXh
D707h			XXh
D708h	CAN0 Mask Register 2	COMKR2	XXh
D709h			XXh
D70Ah			XXh
D70Bh			XXh
D70Ch	CAN0 Mask Register 3	COMKR3	XXh
D70Dh			XXh
D70Eh			XXh
D70Fh			XXh

X: Undefined

Note:

- The blank areas are reserved. No access is allowed.

Table 4.46 SFR Information (46) ⁽¹⁾

Address	Register	Symbol	Reset Value
D710h	CAN0 Mask Register 4	COMKR4	XXh
D711h			XXh
D712h			XXh
D713h			XXh
D714h	CAN0 Mask Register 5	COMKR5	XXh
D715h			XXh
D716h			XXh
D717h			XXh
D718h	CAN0 Mask Register 6	COMKR6	XXh
D719h			XXh
D71Ah			XXh
D71Bh			XXh
D71Ch	CAN0 Mask Register 7	COMKR7	XXh
D71Dh			XXh
D71Eh			XXh
D71Fh			XXh
D720h	CAN0 FIFO Receive ID Compare Register 0	C0FIDCR0	XXh
D721h			XXh
D722h			XXh
D723h			XXh
D724h	CAN0 FIFO Receive ID Compare Register 1	C0FIDCR1	XXh
D725h			XXh
D726h			XXh
D727h			XXh
D728h	CAN0 Mask Invalid Register	COMKIVLR	XXh
D729h			XXh
D72Ah			XXh
D72Bh			XXh
D72Ch	CAN0 Mailbox Interrupt Enable Register	COMIER	XXh
D72Dh			XXh
D72Eh			XXh
D72Fh			XXh
D730h to D79Fh			
D7A0h	CAN0 Message Control Register 0	COMCTL0	00h
D7A1h	CAN0 Message Control Register 1	COMCTL1	00h
D7A2h	CAN0 Message Control Register 2	COMCTL2	00h
D7A3h	CAN0 Message Control Register 3	COMCTL3	00h
D7A4h	CAN0 Message Control Register 4	COMCTL4	00h
D7A5h	CAN0 Message Control Register 5	COMCTL5	00h
D7A6h	CAN0 Message Control Register 6	COMCTL6	00h
D7A7h	CAN0 Message Control Register 7	COMCTL7	00h
D7A8h	CAN0 Message Control Register 8	COMCTL8	00h
D7A9h	CAN0 Message Control Register 9	COMCTL9	00h
D7AAh	CAN0 Message Control Register 10	COMCTL10	00h
D7ABh	CAN0 Message Control Register 11	COMCTL11	00h
D7ACh	CAN0 Message Control Register 12	COMCTL12	00h
D7ADh	CAN0 Message Control Register 13	COMCTL13	00h
D7AEh	CAN0 Message Control Register 14	COMCTL14	00h
D7AFh	CAN0 Message Control Register 15	COMCTL15	00h

X: Undefined

Note:

- The blank areas are reserved. No access is allowed.

Table 4.47 SFR Information (47) ⁽¹⁾

Address	Register	Symbol	Reset Value
D7B0h	CAN0 Message Control Register 16	C0MCTL16	00h
D7B1h	CAN0 Message Control Register 17	C0MCTL17	00h
D7B2h	CAN0 Message Control Register 18	C0MCTL18	00h
D7B3h	CAN0 Message Control Register 19	C0MCTL19	00h
D7B4h	CAN0 Message Control Register 20	C0MCTL20	00h
D7B5h	CAN0 Message Control Register 21	C0MCTL21	00h
D7B6h	CAN0 Message Control Register 22	C0MCTL22	00h
D7B7h	CAN0 Message Control Register 23	C0MCTL23	00h
D7B8h	CAN0 Message Control Register 24	C0MCTL24	00h
D7B9h	CAN0 Message Control Register 25	C0MCTL25	00h
D7BAh	CAN0 Message Control Register 26	C0MCTL26	00h
D7BBh	CAN0 Message Control Register 27	C0MCTL27	00h
D7BCh	CAN0 Message Control Register 28	C0MCTL28	00h
D7BDh	CAN0 Message Control Register 29	C0MCTL29	00h
D7BEh	CAN0 Message Control Register 30	C0MCTL30	00h
D7BFh	CAN0 Message Control Register 31	C0MCTL31	00h
D7C0h	CAN0 Control Register	C0CTLR	0000 0101b
D7C1h			00h
D7C2h	CAN0 Status Register	C0STR	0000 0101b
D7C3h			00h
D7C4h	CAN0 Bit Configuration Register	C0BCR	00h
D7C5h			00h
D7C6h			00h
D7C7h	CAN0 Clock Select Register	C0CLKR	00h
D7C8h	CAN0 Receive FIFO Control Register	C0RFCR	1000 0000b
D7C9h	CAN0 Receive FIFO Pointer Control Register	C0RFPCR	XXh
D7CAh	CAN0 Transmit FIFO Control Register	C0TFCR	1000 0000b
D7CBh	CAN0 Transmit FIFO pointer Control Register	C0TFPCR	XXh
D7CCh	CAN0 Error Interrupt Enable Register	C0EIER	00h
D7CDh	CAN0 Error Interrupt Source Judge Register	C0EIFR	00h
D7CEh	CAN0 Receive Error Count Register	C0RECR	00h
D7CFh	CAN0 Transmit Error Count Register	C0TECR	00h
D7D0h	CAN0 Error Code Store Register	C0ECSR	00h
D7D1h	CAN0 Channel Search Support Register	C0CSSR	XXh
D7D2h	CAN0 Mailbox Search Status Register	C0MSSR	1000 0000b
D7D3h	CAN0 Mailbox Search Mode Register	C0MSMR	0000 0000b
D7D4h	CAN0 Time Stamp Register	C0TSR	00h
D7D5h			00h
D7D6h	CAN0 Acceptance Filter Support Register	C0AFSR	XXh
D7D7h			XXh
D7D8h	CAN0 Test Control Register	C0TCR	00h
D7D9h			
D7DAh			
D7DBh			
D7DCh			
D7DDh			
D7DEh			
D7DFh			

X: Undefined

Note:

1. The blank areas are reserved. No access is allowed.

4.2 Notes on SFRs

4.2.1 Register Settings

Table 4.48 lists Registers with Write-Only Bits and registers whose function differs between reading and writing. Set these registers with immediate values. Do not use read-modify-write instructions. When establishing the next value by altering the existing value, write the existing value to the RAM as well as to the register. Transfer the next value to the register after making changes in the RAM. Read-modify-write instructions can be used when writing to the no register bits.

Table 4.48 Registers with Write-Only Bits

Address	Register	Symbol
0249h	UART0 Bit Rate Register	U0BRG
024Bh to 024Ah	UART0 Transmit Buffer Register	U0TB
0259h	UART1 Bit Rate Register	U1BRG
025Bh to 025Ah	UART1 Transmit Buffer Register	U1TB
0269h	UART2 Bit Rate Register	U2BRG
026Bh to 026Ah	UART2 Transmit Buffer Register	U2TB
0299h	UART4 Bit Rate Register	U4BRG
029Bh to 029Ah	UART4 Transmit Buffer Register	U4TB
02A9h	UART3 Bit Rate Register	U3BRG
02ABh to 02AAh	UART3 Transmit Buffer Register	U3TB
02B6h	I2C0 Control Register 1	S3D0
02B8h	I2C0 Status Register 0	S10
0303h to 0302h	Timer A1-1 Register	TA11
0305h to 0304h	Timer A2-1 Register	TA21
0307h to 0306h	Timer A4-1 Register	TA41
030Ah	Three-Phase Output Buffer Register 0	IDB0
030Bh	Three-Phase Output Buffer Register 1	IDB1
030Ch	Dead Time Timer	DTT
030Dh	Timer B2 Interrupt Generation Frequency Set Counter	ICTB2
0327h to 0326h	Timer A0 Register	TA0
0329h to 0328h	Timer A1 Register	TA1
032Bh to 032Ah	Timer A2 Register	TA2
032Dh to 032Ch	Timer A3 Register	TA3
032Fh to 032Eh	Timer A4 Register	TA4
037Dh	Watchdog Timer Refresh Register	WDTR
037Eh	Watchdog Timer Start Register	WDTS
D4C9h	CAN1 Receive FIFO Pointer Control Register	C1RFPCR
D4CBh	CAN1 Transmit FIFO Pointer Control Register	C1TFPCR
D7C9h	CAN0 Receive FIFO Pointer Control Register	C0RFPCR
D7CBh	CAN0 Transmit FIFO pointer Control Register	C0TFPCR

Table 4.49 Read-Modify-Write Instructions

Function	Mnemonic
Transfer	<i>MOVDir</i>
Bit processing	BCLR, <i>BMCnd</i> , BNOT, BSET, BTSTC, and BTSTS
Shifting	ROLC, RORC, ROT, SHA, and SHL
Arithmetic operation	ABS, ADC, ADCF, ADD, DEC, DIV, DIVU, DIVX, EXTS, INC, MUL, MULU, NEG, SBB, and SUB
Decimal operation	DADC, DADD, DSBB, and DSUB
Logical operation	AND, NOT, OR, and XOR
Jump	ADJNZ, SBJNZ

5. Electrical Characteristics

J-Version

5.1 Electrical Characteristics (J-Version, Common to 3 V and 5 V)

5.1.1 Absolute Maximum Rating

Table 5.1 Absolute Maximum Ratings

Symbol	Characteristic		Condition	Rated Value	Unit
V_{CC}	Supply voltage		$V_{CC} = AV_{CC}$	-0.3 to 6.5	V
AV_{CC}	Analog supply voltage		$V_{CC} = AV_{CC}$	-0.3 to 6.5	V
V_{REF}	Analog reference voltage			-0.3 to $V_{CC} + 0.1$ ⁽¹⁾	V
V_I	Input voltage	P0_0 to P0_7, P1_0 to P1_7, P2_0 to P2_7, P3_0 to P3_7, P4_0 to P4_7, P5_0 to P5_7, P6_0 to P6_7, P7_0 to P7_7, P8_0 to P8_7, P9_0 to P9_7, P10_0 to P10_7 XIN, RESET, CNVSS		-0.3 to $V_{CC} + 0.3$	V
V_O	Output voltage	P0_0 to P0_7, P1_0 to P1_7, P2_0 to P2_7, P3_0 to P3_7, P4_0 to P4_7, P5_0 to P5_7, P6_0 to P6_7, P7_0 to P7_7, P8_0 to P8_7, P9_0 to P9_7, P10_0 to P10_7 XOUT		-0.3 to $V_{CC} + 0.3$	V
P_d	Power consumption		$-40^{\circ}\text{C} \leq T_{opr} \leq 85^{\circ}\text{C}$	300	mW
T_{opr}	Operating temperature range	While CPU operation		-40 to 85	°C
		While flash memory program and erase operation	Programming area	0 to 60	
			Data area	-40 to 85	
T_{stg}	Storage temperature range			-65 to 150	°C

Note:

1. Maximum value is 6.5 V.

5.1.2 Recommended Operating Conditions

Table 5.2 Operating Conditions (1)
 $V_{CC} = 3.0\text{ V to }5.5\text{ V}$, $T_{opr} = -40^{\circ}\text{C to }85^{\circ}\text{C}$ unless otherwise specified.

Symbol	Characteristic		Standard			Unit	
			Min.	Typ.	Max.		
V_{CC}	Supply voltage		3.0		5.5	V	
AV_{CC}	Analog supply voltage			V_{CC}		V	
V_{SS}	Ground voltage			0		V	
AV_{SS}	Analog ground voltage			0		V	
V_{IH}	High level input voltage	P0_0 to P0_7, P1_0 to P1_7, P2_0 to P2_7, P3_0 to P3_7, P4_0 to P4_7, P5_0 to P5_7, P6_0 to P6_7, P7_0 to P7_7, P8_0 to P8_7, P9_0 to P9_7, P10_0 to P10_7	Input level $0.50 V_{CC}$	$0.7 V_{CC}$	V_{CC}	V	
			Input level $0.70 V_{CC}$	$0.85 V_{CC}$	V_{CC}	V	
		XIN, $\overline{\text{RESET}}$, CNVSS			$0.8 V_{CC}$	V_{CC}	
		SDAMM, SCLMM		When I ² C-bus input level selected	$0.7 V_{CC}$	V_{CC}	V
			When SMBUS input level selected	2.1	V_{CC}	V	
V_{IL}	Low level input voltage	P0_0 to P0_7, P1_0 to P1_7, P2_0 to P2_7, P3_0 to P3_7, P4_0 to P4_7, P5_0 to P5_7, P6_0 to P6_7, P7_0 to P7_7, P8_0 to P8_7, P9_0 to P9_7, P10_0 to P10_7	Input level $0.50 V_{CC}$	0	$0.3 V_{CC}$	V	
			Input level $0.70 V_{CC}$	0	$0.45 V_{CC}$	V	
		XIN, $\overline{\text{RESET}}$, CNVSS			0	$0.2 V_{CC}$	V
		SDAMM, SCLMM		When I ² C-bus input level selected	0	$0.3 V_{CC}$	V
			When SMBUS input level selected	0	0.8	V	
$I_{OH(sum)}$	High peak output current	Sum of $I_{OH(peak)}$ at P0_0 to P0_7, P1_0 to P1_7, P2_0 to P2_7, P3_0 to P3_7, P4_0 to P4_7, P5_0 to P5_7, P6_0 to P6_7, P7_0 to P7_7, P8_0 to P8_4, P8_6 to P8_7, P9_0 to P9_7, P10_0 to P10_7			-80.0	mA	
$I_{OH(peak)}$	High level peak output current	P0_0 to P0_7, P1_0 to P1_7, P2_0 to P2_7, P3_0 to P3_7, P4_0 to P4_7, P5_0 to P5_7, P6_0 to P6_7, P7_0 to P7_7, P8_0 to P8_4, P8_6 to P8_7, P9_0 to P9_7, P10_0 to P10_7			-10.0	mA	
$I_{OH(avg)}$	High level average output current (1)	P0_0 to P0_7, P1_0 to P1_7, P2_0 to P2_7, P3_0 to P3_7, P4_0 to P4_7, P5_0 to P5_7, P6_0 to P6_7, P7_0 to P7_7, P8_0 to P8_4, P8_6 to P8_7, P9_0 to P9_7, P10_0 to P10_7			-5.0	mA	
$I_{OL(sum)}$	Low peak output current	Sum of $I_{OL(peak)}$ at P0_0 to P0_7, P1_0 to P1_7, P2_0 to P2_7, P3_0 to P3_7, P4_0 to P4_7, P5_0 to P5_7, P6_0 to P6_7, P7_0 to P7_7, P8_0 to P8_7, P9_0 to P9_7, P10_0 to P10_7			80.0	mA	
$I_{OL(peak)}$	Low level peak output current	P0_0 to P0_7, P1_0 to P1_7, P2_0 to P2_7, P3_0 to P3_7, P4_0 to P4_7, P5_0 to P5_7, P6_0 to P6_7, P7_0 to P7_7, P8_0 to P8_7, P9_0 to P9_7, P10_0 to P10_7			10.0	mA	
$I_{OL(avg)}$	Low level average output current (1)	P0_0 to P0_7, P1_0 to P1_7, P2_0 to P2_7, P3_0 to P3_7, P4_0 to P4_7, P5_0 to P5_7, P6_0 to P6_7, P7_0 to P7_7, P8_0 to P8_7, P9_0 to P9_7, P10_0 to P10_7			5.0	mA	
$f_{(XIN)}$	Main clock input oscillation frequency (2)		0		20	MHz	
$f_{(XCIN)}$	Sub clock oscillation frequency			32.768	50	kHz	
$f_{(PLL)}$	PLL clock oscillation frequency (2)		10		32	MHz	
$f_{(BCLK)}$	CPU operation frequency		0		32	MHz	
$t_{su(PLL)}$	Wait time to stabilize PLL frequency synthesizer				1	ms	

Notes:

- The mean output current is the mean value within 100 ms.
- Refer to Figure 5.1 "Main clock input oscillation frequency, PLL clock oscillation frequency" for the relationship between main clock oscillation frequency/PLL clock oscillation frequency and supply voltage.

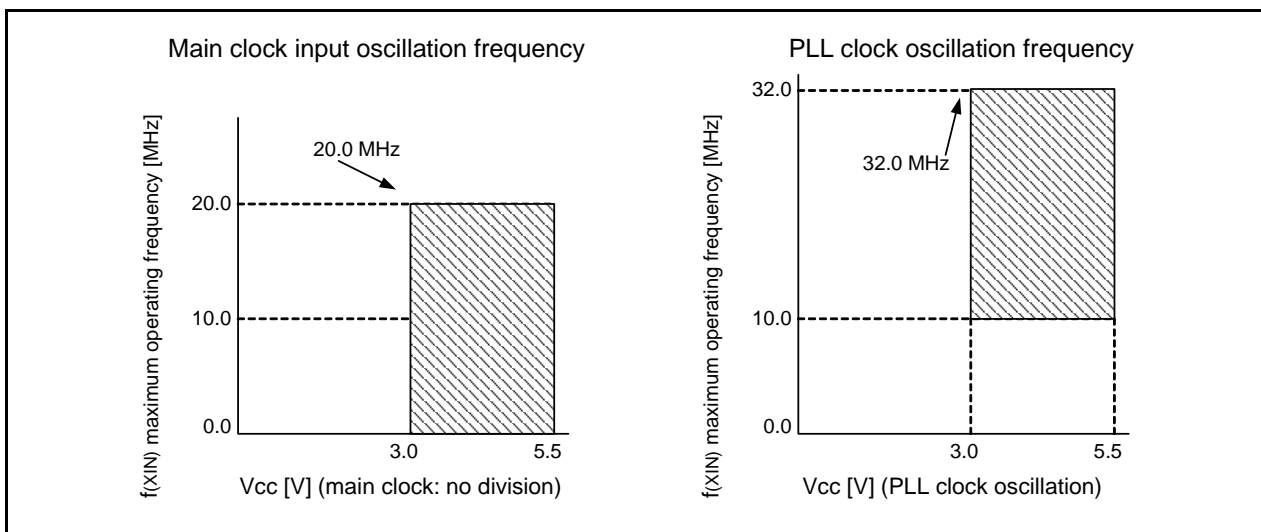


Figure 5.1 Main clock input oscillation frequency, PLL clock oscillation frequency

Table 5.3 Recommended Operating Conditions (2/2) (1)

$V_{CC} = 3.0$ to 5.5 V, $V_{SS} = 0$ V, and $T_{opr} = -40^{\circ}\text{C}$ to 85°C unless otherwise specified.

The ripple voltage must not exceed $V_{r(VCC)}$ and/or $dV_{r(VCC)}/dt$.

Symbol	Parameter	Standard			Unit
		Min.	Typ.	Max.	
$V_{r(VCC)}$	Allowable ripple voltage	$V_{CC} = 5.0$ V		0.5	Vp-p
		$V_{CC} = 3.0$ V		0.3	Vp-p
$dV_{r(VCC)}/dt$	Ripple voltage falling gradient	$V_{CC} = 5.0$ V		0.3	V/ms
		$V_{CC} = 3.0$ V		0.3	V/ms

Note:

1. The device is operationally guaranteed under these operating conditions.

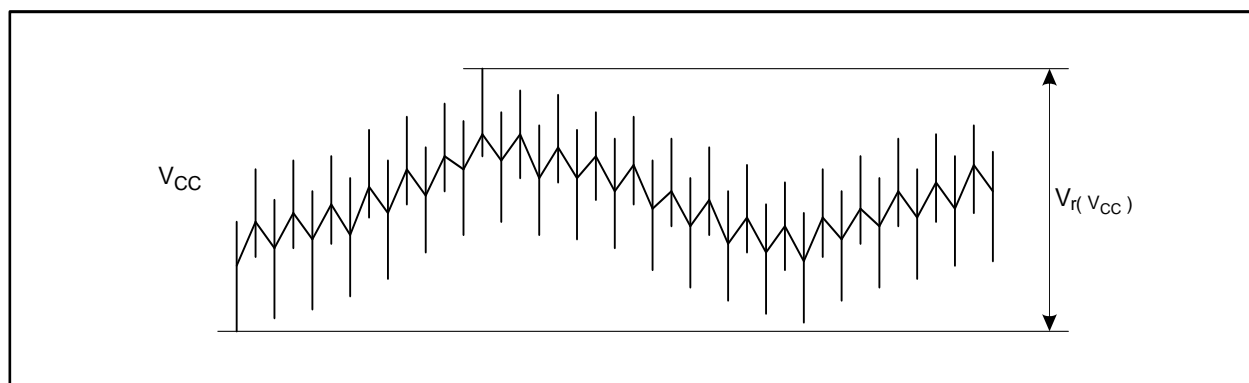


Figure 5.2 Ripple Waveform

J-Version

5.1.3 A/D Conversion Characteristics

Table 5.4 A/D Conversion Characteristics (1)

$V_{CC} = AV_{CC} = V_{REF} = 3.0$ to 5.5 V, $V_{SS} = AV_{SS} = 0$ V at $T_{opr} = -40^{\circ}\text{C}$ to 85°C unless otherwise specified.

Symbol	Parameter	Measuring Condition	Standard			Unit
			Min.	Typ.	Max.	
—	Resolution	$V_{REF} = V_{CC}$			10	Bits
I_{NL}	Integral non-linearity error	$V_{REF} = V_{CC} = 5.0$ V (2)			± 3	LSB
		$V_{REF} = V_{CC} = 3.3$ V (2)			± 5	LSB
—	Absolute accuracy	$V_{REF} = V_{CC} = 5.0$ V (2)			± 3	LSB
		$V_{REF} = V_{CC} = 3.3$ V (2)			± 5	LSB
ϕ_{AD}	A/D operating clock frequency	4.0 V $\leq V_{CC} \leq 5.5$ V	2		25	MHz
		3.2 V $\leq V_{CC} \leq 4.0$ V	2		16	MHz
		3.0 V $\leq V_{CC} \leq 3.2$ V	2		10	MHz
—	Tolerance level impedance			3		k Ω
D_{NL}	Differential non-linearity error	See note 2			± 1	LSB
—	Offset error	See note 2			± 3	LSB
—	Gain error	See note 2			± 3	LSB
t_{CONV}	10-bit conversion time	$V_{REF} = V_{CC} = 5$ V, $\phi_{AD} = 25$ MHz	1.60			μs
t_{SAMP}	Sampling time		0.6			μs
V_{REF}	Reference voltage		3.0		V_{CC}	V
V_{IA}	Analog input voltage (3)		0		V_{REF}	V

Notes:

1. Use when $AV_{CC} = V_{CC}$
2. Flash memory rewrite disabled. Except for the analog input pin, set the pins to be measured as input ports and connect them to V_{SS} . See Figure 5.3 "A/D Accuracy Measure Circuit".
3. When analog input voltage is over reference voltage, the result of A/D conversion is 3FFh.

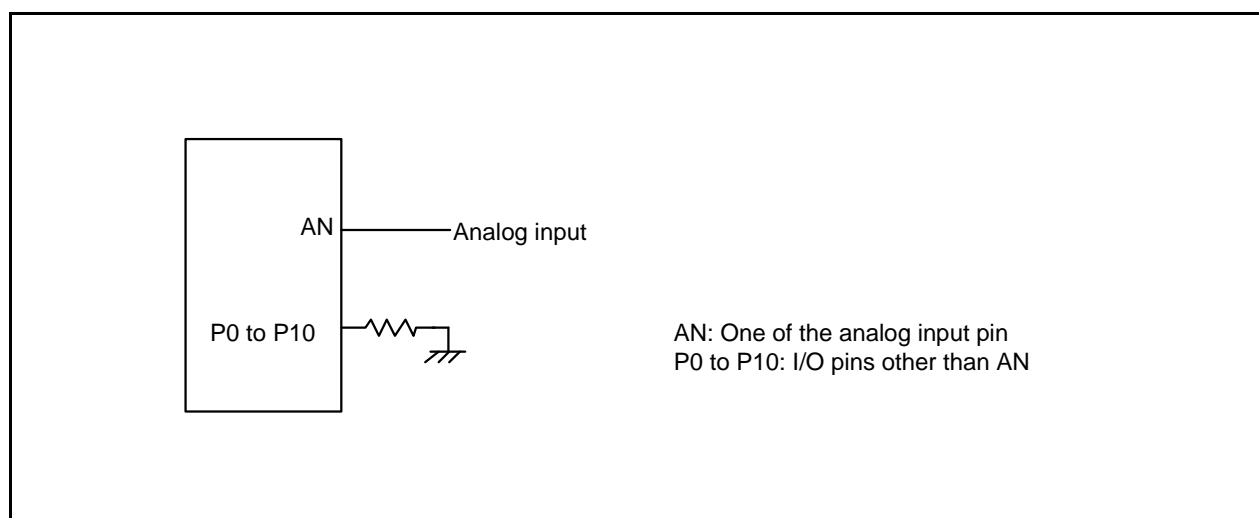


Figure 5.3 A/D Accuracy Measure Circuit

J-Version

5.1.4 D/A Conversion Characteristics

Table 5.5 D/A Conversion Characteristics

$V_{CC} = AV_{CC} = V_{REF} = 3.0$ to 5.5 V, $V_{SS} = AV_{SS} = 0$ V at $T_{opr} = -40^{\circ}\text{C}$ to 85°C unless otherwise specified.

Symbol	Parameter	Measuring Condition	Standard			Unit
			Min.	Typ.	Max.	
-	Resolution				8	Bits
-	Absolute accuracy				2.5	LSB
t_{SU}	Setup time				3	μs
R_O	Output resistance		5	6	8.2	$\text{k}\Omega$
I_{VREF}	Reference power supply input current	See Notes ¹ and ²			1.5	mA

Notes:

1. This applies when using one D/A converter, with the D/A register for the unused D/A converter set to 00h.
2. The current consumption of the A/D converter is not included. Also, the I_{VREF} of the D/A converter will flow even if the ADSTBY bit in the ADCON1 register is 0 (A/D operation stopped (standby)).

J-Version

5.1.5 Flash Memory Electrical Characteristics

Table 5.6 CPU Clock When Operating Flash Memory ($f_{(BCLK)}$)

$V_{CC} = 3.0$ to 5.5 V at $T_{opr} = -40^{\circ}\text{C}$ to 85°C , unless otherwise specified.

Symbol	Parameter	Conditions	Standard			Unit
			Min.	Typ.	Max.	
-	CPU rewrite mode				16 (1)	MHz
$f_{(SLOW_R)}$	Slow read mode				5 (3)	MHz
-	Low current consumption read mode			fC	35	kHz
	Data flash read				20 (2)	MHz

Notes:

1. Set the PM17 bit in the PM1 register to 1 (one wait).
2. When the frequency is over this value, set the FMR17 bit in the FMR1 register to 0 (one wait) or the PM17 bit in the PM1 register to 1 (one wait)
3. Set the PM17 bit in the PM1 register to 1 (one wait). When using the 125 kHz on-chip oscillator clock or sub clock as the CPU clock source, a wait is not necessary.

J-Version

Table 5.7 Flash Memory (Program ROM 1, 2) Electrical Characteristics $V_{CC} = 3.0$ to 5.5 V at $T_{opr} = 0^{\circ}\text{C}$ to 60°C , unless otherwise specified.

Symbol	Parameter	Conditions	Standard			Unit
			Min.	Typ.	Max.	
-	Program/erase cycles (1, 3, 4)	$V_{CC} = 3.3$ V, $T_{opr} = 25^{\circ}\text{C}$	1,000 (2)			times
-	2 words program time	$V_{CC} = 3.3$ V, $T_{opr} = 25^{\circ}\text{C}$		150	4000	μs
-	Lock bit program time	$V_{CC} = 3.3$ V, $T_{opr} = 25^{\circ}\text{C}$		70	3000	μs
-	Block erase time	$V_{CC} = 3.3$ V, $T_{opr} = 25^{\circ}\text{C}$		0.2	3.0	s
$t_{d(SR-SUS)}$	Time delay from suspend request until suspend				$5 + \frac{3}{f_{(BCLK)}}$	ms
-	Interval from erase start/restart until following suspend request		0			μs
-	Suspend interval necessary for auto-erasure to complete (7)		20			ms
-	Time from suspend until erase restart				$30 + \frac{1}{f_{(BCLK)}}$	μs
-	Program, erase voltage		3.0		5.5	V
-	Read voltage	$T_{opr} = -40^{\circ}\text{C}$ to 85°C	3.0		5.5	V
-	Program, erase temperature		0		60	$^{\circ}\text{C}$
t_{PS}	Flash memory circuit stabilization wait time				50	μs
-	Data hold time (6)	Ambient temperature = 55°C	20			year

Notes:

- Definition of program and erase cycles:
The program and erase cycles refer to the number of per-block erasures. If the program and erase cycles are n ($n = 1,000$), each block can be erased n times. For example, if a 64 KB block is erased after writing 2 word data 16,384 times, each to a different address, this counts as one program and erase cycles. Data cannot be written to the same address more than once without erasing the block (rewrite prohibited).
- Cycles to guarantee all electrical characteristics after program and erase. (1 to Min. value can be guaranteed).
- In a system that executes multiple programming operations, the actual erasure count can be reduced by writing to sequential addresses in turn so that as much of the block as possible is used up before performing an erase operation. It is advisable to retain data on the erasure cycles of each block and limit the number of erase operations to a certain number.
- If an error occurs during block erase, attempt to execute the clear status register command, then execute the block erase command at least three times until the erase error does not occur.
- Customers desiring program/erase failure rate information should contact a Renesas Electronics sales office.
- The data hold time includes time that the power supply is off or the clock is not supplied.
- After an erase start or erase restart, if an interval of at least 20 ms is not set before the next suspend request, the erase sequence cannot be completed.

J-Version

Table 5.8 Flash Memory (Data Flash) Electrical Characteristics $V_{CC} = 3.0$ to 5.5 V at $T_{opr} = -40^{\circ}\text{C}$ to 85°C , unless otherwise specified.

Symbol	Parameter	Conditions	Standard			Unit
			Min.	Typ.	Max.	
-	Program/erase cycles (1, 3, 4)	$V_{CC} = 3.3$ V, $T_{opr} = 25^{\circ}\text{C}$	10,000 (2)			times
-	2 words program time	$V_{CC} = 3.3$ V, $T_{opr} = 25^{\circ}\text{C}$		300	4000	μs
-	Lock bit program time	$V_{CC} = 3.3$ V, $T_{opr} = 25^{\circ}\text{C}$		140	3000	μs
-	Block erase time	$V_{CC} = 3.3$ V, $T_{opr} = 25^{\circ}\text{C}$		0.2	3.0	s
$t_{d(SR-SUS)}$	Time delay from suspend request until suspend				$5 + \frac{3}{f_{(BCLK)}}$	ms
-	Interval from erase start/restart until following suspend request		0			μs
-	Suspend interval necessary for auto-erasure to complete (7)		20			ms
-	Time from suspend until erase restart				$30 + \frac{1}{f_{(BCLK)}}$	μs
-	Program, erase voltage		3.0		5.5	V
-	Read voltage		3.0		5.5	V
-	Program, erase temperature		-40		85	$^{\circ}\text{C}$
t_{PS}	Flash memory circuit stabilization wait time				50	μs
-	Data hold time (6)	Ambient temperature = 55°C	20			year

- Definition of program and erase cycles
The program and erase cycles refer to the number of per-block erasures.
If the program and erase cycles are n ($n = 10,000$), each block can be erased n times.
For example, if a 4 KB block is erased after writing 2 word data 1,024 times, each to a different address, this counts as one program and erase cycles. Data cannot be written to the same address more than once without erasing the block (rewrite prohibited).
- Cycles to guarantee all electrical characteristics after program and erase. (1 to Min. value can be guaranteed).
- In a system that executes multiple programming operations, the actual erasure count can be reduced by writing to sequential addresses in turn so that as much of the block as possible is used up before performing an erase operation. For example, when programming groups of 16 bytes, the effective number of rewrites can be minimized by programming up to 256 groups before erasing them all in one operation. In addition, averaging the erasure cycles between blocks A and B can further reduce the actual erasure cycles. It is also advisable to retain data on the erasure cycles of each block and limit the number of erase operations to a certain number.
- If an error occurs during block erase, attempt to execute the clear status register command, then execute the block erase command at least three times until the erase error does not occur.
- Customers desiring program/erase failure rate information should contact a Renesas Electronics sales office.
- The data hold time includes time that the power supply is off or the clock is not supplied.
- After an erase start or erase restart, if an interval of at least 20 ms is not set before the next suspend request, the erase sequence cannot be completed.

5.1.6 E²PROM Emulation Data Flash

Table 5.9 E²PROM Emulation Data Flash Electrical Characteristics

VCC = 3.0 to 5.5 V, VSS = 0 V, and T_{opr} = -40°C to 85°C unless otherwise specified.

Symbol	Characteristic	Standard			Unit
		Min.	Typ.	Max.	
—	Program/erase cycles (1)	100000			times
—	Word program time (2-byte program)		100	2000	μs
—	Read time (2-byte read)			1	μs
—	Block erase time (32-byte block)		15	200	ms
t _{PS}	Flash memory circuit stabilization wait time (sleep mode to normal mode)			50	μs
—	Data hold time (2)	Ambient temperature = 55°C (3, 4)		20	years

Notes:

- Definition of program/erase cycles definition
 This value represents the number of erasure per block.
 If the flash memory is programmed/erased n times, each block can be erased n times.
 i.e. If a word write is performed in different 16 addresses in a block and then the block is erased, it is considered the programming/erasure is performed just once. However a write in the same address more than once for one erasure is disabled. (overwrite disabled).
- The data hold time includes the periods when the supply voltage is not applied and no clock is provided.
- This data hold time includes (7000) hours in Ambient temperature = 85°C.
- Please contact a Renesas Electronics sales office regarding data retention time other than the above.

J-Version

5.1.7 Voltage Detector and Power Supply Circuit Electrical Characteristics

Table 5.10 Voltage Detector 0 Electrical Characteristics

The measurement condition is $V_{CC} = 3.0$ to 5.5 V, $T_{opr} = -40^{\circ}\text{C}$ to 85°C , unless otherwise specified.

Symbol	Parameter	Condition	Standard			Unit
			Min.	Typ.	Max.	
V_{det0}	Voltage detection level V_{det0}	When V_{CC} is falling.	2.70	2.85	3.00	V
$t_{d(E-A)}$	Waiting time until voltage detector operation starts ⁽¹⁾	$V_{CC} = 3.0$ to 5.0 V			100	μs

Note:

1. Necessary time until the voltage detector operates when setting to 1 again after setting the VC25 bit in the VCR2 register to 0.

Table 5.11 Voltage Detector 2 Electrical Characteristics

The measurement condition is $V_{CC} = 3.0$ to 5.5 V, $T_{opr} = -40^{\circ}\text{C}$ to 85°C , unless otherwise specified.

Symbol	Parameter	Condition	Standard			Unit
			Min.	Typ.	Max.	
V_{det2_0}	Voltage detection level V_{det2_0}	When V_{CC} is falling		3.21		V
V_{det2_1}	Voltage detection level V_{det2_1}			3.36		V
V_{det2_2}	Voltage detection level V_{det2_2}			3.51		V
V_{det2_3}	Voltage detection level V_{det2_3}			3.66		V
V_{det2_4}	Voltage detection level V_{det2_4}		3.51	3.81	4.11	V
V_{det2_5}	Voltage detection level V_{det2_5}			3.96		V
V_{det2_6}	Voltage detection level V_{det2_6}			4.10		V
V_{det2_7}	Voltage detection level V_{det2_7}			4.25		V
-	Hysteresis width at the rising of V_{CC} in voltage detector 2			0.15		V
$t_{d(E-A)}$	Waiting time until voltage detector operation starts ⁽¹⁾	$V_{CC} = 3.0$ to 5.0 V			100	μs

Note:

1. Necessary time until the voltage detector operates after setting to 1 again after setting the VC27 bit in the VCR2 register to 0.

J-Version

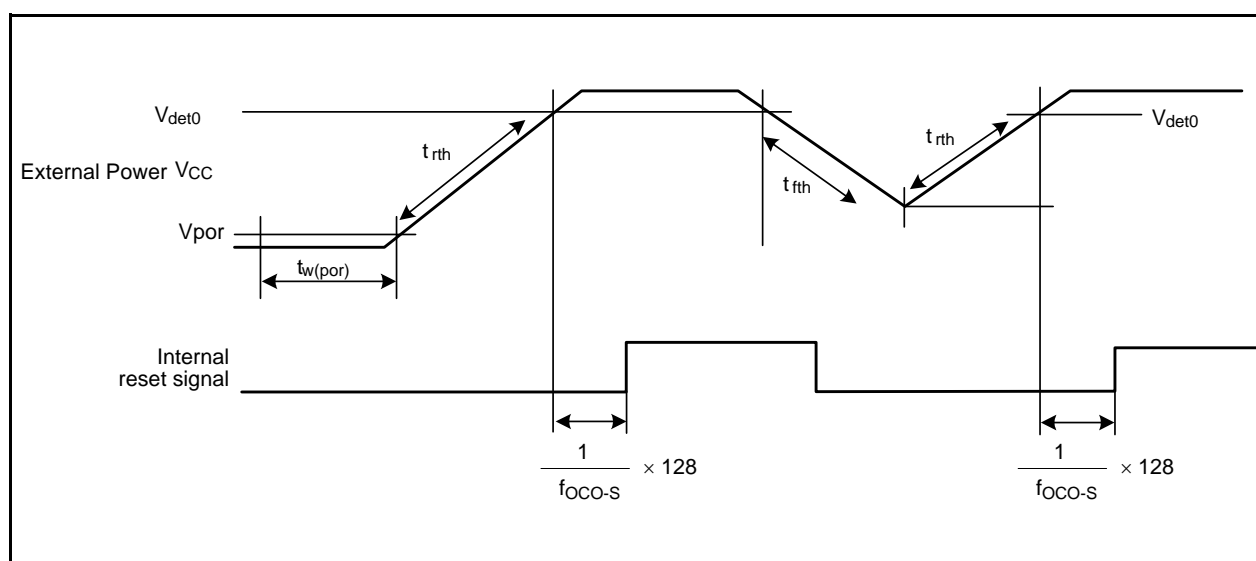
Table 5.12 Power-On Reset Circuit

The measurement condition is $T_{opr} = -40^{\circ}\text{C}$ to 85°C , unless otherwise specified.

Symbol	Parameter	Condition	Standard			Unit
			Min.	Typ.	Max.	
t_{rth}	External power V_{CC} rise gradient		2.0		50000	mV/ms
t_{fth}	External power V_{CC} fall gradient				50000	mV/ms
V_{por}	Voltage at which power-on reset enabled (1)				0.1	V
$t_{w(por)}$	Hold time at which power-on reset enabled		1.0			ms

Note:

- To use the power-on reset function, enable voltage monitor 0 reset by setting the LVDAS bit in the OFS1 address to 0.

**Figure 5.4 Power-On Reset Circuit Electrical Characteristics****Table 5.13 Power Supply Circuit Timing Characteristics**

Symbol	Parameter	Measuring Condition	Standard			Unit
			Min.	Typ.	Max.	
$t_{d(P-R)}$	Time for internal power supply stabilization during powering-on	$V_{CC} = 3.0\text{ V to }5.5\text{ V}$			5	ms
$t_{d(R-S)}$	STOP release time				300	μs
$t_{d(W-S)}$	Low power mode wait mode release time				300	μs

Note:

- When $V_{CC} = 5\text{ V}$.

J-Version

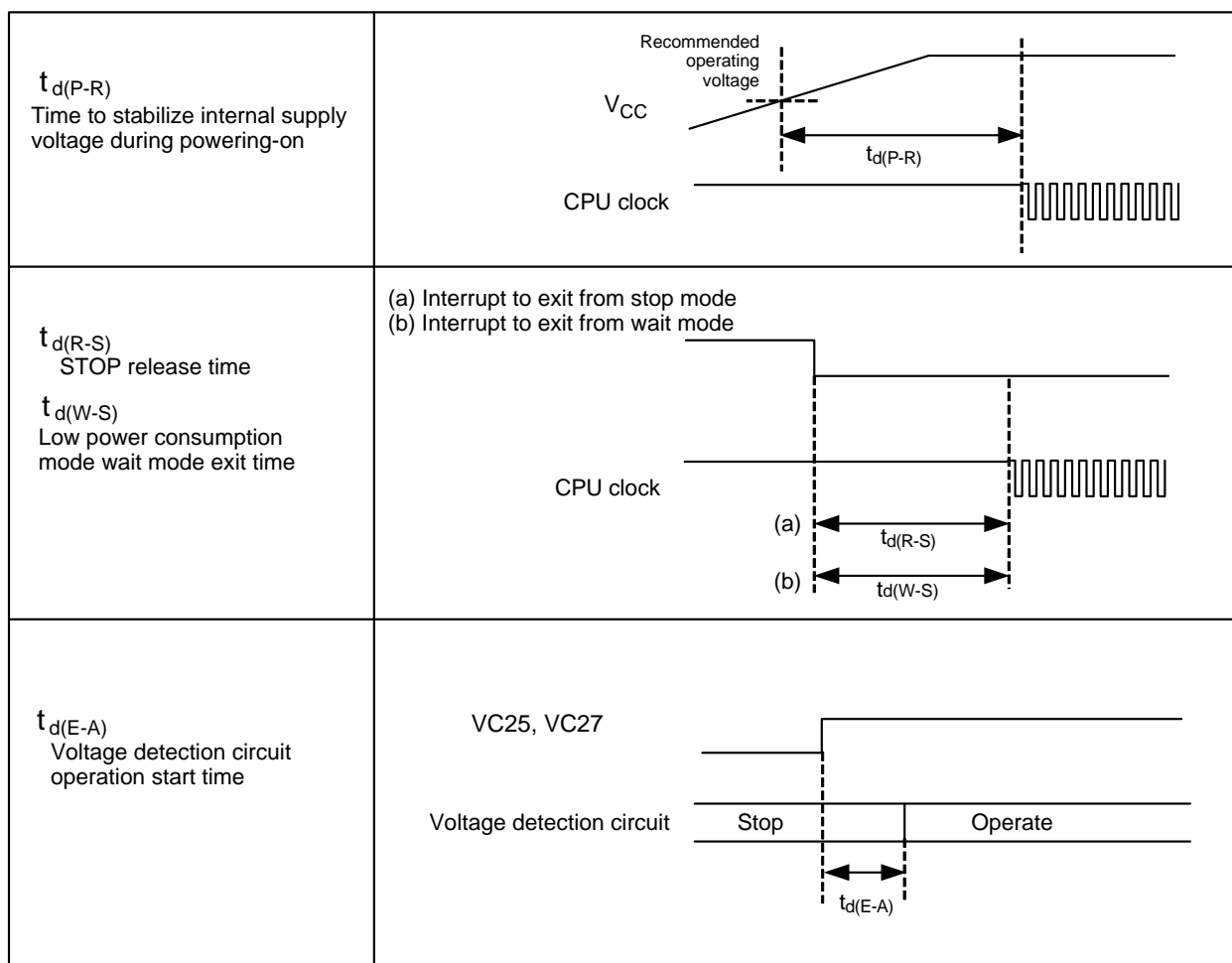


Figure 5.5 Power Supply Circuit Timing Diagram

5.1.8 Oscillator Electrical Characteristics

Table 5.14 On-Chip Oscillator Electrical Characteristics

 $V_{CC} = 3.0$ to 5.5 V, $T_{opr} = -40^{\circ}\text{C}$ to 85°C , unless otherwise specified

Symbol	Characteristic	Standard			Unit
		Min.	Typ.	Max.	
f_{OCO-S}	125 kHz on-chip oscillator oscillation frequency	100	125	150	kHz
f_{OCO40M}	40 MHz on-chip oscillator oscillation frequency	32	40	48	MHz
f_{WDT}	Dedicated 125 kHz on-chip oscillator for the watchdog timer oscillation frequency	100	125	150	kHz

5.2 Electrical Characteristics (J-Version, $V_{CC} = 5\text{ V}$)

5.2.1 Electrical Characteristics

J-Version, $V_{CC} = 5\text{ V}$

Table 5.15 Electrical Characteristics (1)

$V_{CC} = 4.2$ to 5.5 V , $V_{SS} = 0\text{ V}$ at $T_{opr} = -40^\circ\text{C}$ to 85°C , $f_{(BCLK)} = 32\text{ MHz}$ unless otherwise specified.

Symbol	Parameter		Measuring Condition	Standard			Unit
				Min.	Typ.	Max.	
V_{OH}	HIGH output voltage	P0_0 to P0_7, P1_0 to P1_7, P2_0 to P2_7, P3_0 to P3_7, P4_0 to P4_7, P5_0 to P5_7, P6_0 to P6_7, P7_0 to P7_7, P8_0 to P8_4, P8_6 to P8_7, P9_0 to P9_7, P10_0 to P10_7	$I_{OH} = -5\text{ mA}$	$V_{CC} - 2.0$		V_{CC}	V
V_{OH}	HIGH output voltage	P0_0 to P0_7, P1_0 to P1_7, P2_0 to P2_7, P3_0 to P3_7, P4_0 to P4_7, P5_0 to P5_7, P6_0 to P6_7, P7_0 to P7_7, P8_0 to P8_4, P8_6 to P8_7, P9_0 to P9_7, P10_0 to P10_7	$I_{OH} = -200\ \mu\text{A}$	$V_{CC} - 0.3$		V_{CC}	V
V_{OH}	HIGH output voltage	XOUT	HIGH POWER	$I_{OH} = -1\text{ mA}$	$V_{CC} - 2.0$	V_{CC}	V
			LOW POWER	$I_{OH} = -0.5\text{ mA}$	$V_{CC} - 2.0$	V_{CC}	V
	HIGH output voltage	XCOUT	HIGH POWER	With no load applied		2.5	V
			LOW POWER	With no load applied		1.6	V
V_{OL}	LOW output voltage	P0_0 to P0_7, P1_0 to P1_7, P2_0 to P2_7, P3_0 to P3_7, P4_0 to P4_7, P5_0 to P5_7, P6_0 to P6_7, P7_0 to P7_7, P8_0 to P8_7, P9_0 to P9_7, P10_0 to P10_7	$I_{OL} = 5\text{ mA}$			2.0	V
V_{OL}	LOW output voltage	P0_0 to P0_7, P1_0 to P1_7, P2_0 to P2_7, P3_0 to P3_7, P4_0 to P4_7, P5_0 to P5_7, P6_0 to P6_7, P7_0 to P7_7, P8_0 to P8_7, P9_0 to P9_7, P10_0 to P10_7	$I_{OL} = 200\ \mu\text{A}$			0.45	V
V_{OL}	LOW output voltage	XOUT	HIGH POWER	$I_{OL} = 1\text{ mA}$		2.0	V
			LOW POWER	$I_{OL} = 0.5\text{ mA}$		2.0	V
	LOW output voltage	XCOUT	HIGH POWER	With no load applied		0	V
			LOW POWER	With no load applied		0	V
$V_{T+} - V_{T-}$	Hysteresis	TA0IN to TA4IN, TB0IN to TB5IN, INT0 to INT7, NMI, ADTRG, CTS0 to CTS3, SCL2, SDA2, CLK0 to CLK4, TA0OUT to TA4OUT, KI0 to KI3, RXD0 to RXD4, ZP, IDU, IDW, IDV, SD, INPC1_0 to INPC1_7, SSI0, SSSCK0, $\overline{\text{SCS0}}$, LIN0IN, CRX0, CRX1		0.2		$0.4V_{CC}$	V
$V_{T+} - V_{T-}$	Hysteresis	$\overline{\text{RESET}}$		0.2		2.5	V
$V_{T+} - V_{T-}$	Hysteresis	XIN		0.2		0.8	V
I_{IH}	HIGH input current	P0_0 to P0_7, P1_0 to P1_7, P2_0 to P2_7, P3_0 to P3_7, P4_0 to P4_7, P5_0 to P5_7, P6_0 to P6_7, P7_0 to P7_7, P8_0 to P8_7, P9_0 to P9_7, P10_0 to P10_7 XIN, $\overline{\text{RESET}}$, CNVSS	$V_I = 5\text{ V}$			5.0	μA
I_{IL}	LOW input current	P0_0 to P0_7, P1_0 to P1_7, P2_0 to P2_7, P3_0 to P3_7, P4_0 to P4_7, P5_0 to P5_7, P6_0 to P6_7, P7_0 to P7_7, P8_0 to P8_7, P9_0 to P9_7, P10_0 to P10_7 XIN, $\overline{\text{RESET}}$, CNVSS	$V_I = 0\text{ V}$			-5.0	μA
R_{PULLUP}	Pull-up resistance	P0_0 to P0_7, P1_0 to P1_7, P2_0 to P2_7, P3_0 to P3_7, P4_0 to P4_7, P5_0 to P5_7, P6_0 to P6_7, P7_0 to P7_7, P8_0 to P8_4, P8_6 to P8_7, P9_0 to P9_7, P10_0 to P10_7	$V_I = 0\text{ V}$	30	50	170	$\text{k}\Omega$
R_{FXIN}	Feedback resistance	XIN			1.5		$\text{M}\Omega$
R_{FXCIN}	Feedback resistance	XCIN			15		$\text{M}\Omega$
V_{RAM}	RAM retention voltage		At stop mode	2.0			V

J-Version, $V_{CC} = 5\text{ V}$ **Table 5.16 Electrical Characteristics (2)** $T_{opr} = -40^{\circ}\text{C}$ to 85°C unless otherwise specified.

Symbol	Parameter	Measuring Condition		Standard			Unit
				Min.	Typ.	Max.	
I_{CC}	Power supply current ($V_{CC} = 4.2\text{V}$ to 5.5 V) In single-chip mode, the output pins are open and other pins are V_{SS}	High speed mode	$f_{(BCLK)} = 32\text{ MHz}$, XIN = 8 MHz (square wave), PLL multiply-by-8 125 kHz on-chip oscillator operating		25	45	mA
			$f_{(BCLK)} = 20\text{ MHz}$, XIN = 20 MHz (square wave), 125 kHz on-chip oscillator operating		21	39	mA
			$f_{(BCLK)} = 16\text{ MHz}$, XIN = 16 MHz (square wave), 125 kHz on-chip oscillator operating		17		mA
		40 MHz on-chip oscillator mode	Main clock stopped 40 MHz on-chip oscillator operating 125 kHz on-chip oscillator operating No division		21	39	mA
			Main clock stopped 40 MHz on-chip oscillator operating 125 kHz on-chip oscillator operating Divide-by-8		6		mA
		125 kHz on-chip oscillator mode	Main clock stopped 40 MHz on-chip oscillator stopped 125 kHz on-chip oscillator operating Divide-by-8 FMR22 = FMR23 = 1 (Low-current consumption read mode)		190	580	μA
		Low power mode	$f_{(BCLK)} = 32\text{ kHz}$ On Flash memory (2) FMR22 = FMR23 = 1 (Low-current consumption read mode)		200		μA
		Wait mode	Main clock stopped 40 MHz on-chip oscillator stopped 125 kHz on-chip oscillator operating Peripheral clock operating $T_{opr} = 25^{\circ}\text{C}$		25		μA
			Main clock stopped 40 MHz on-chip oscillator stopped 125 kHz on-chip oscillator operating Peripheral clock operating $T_{opr} = 85^{\circ}\text{C}$		55		μA
		Stop mode	$T_{opr} = 25^{\circ}\text{C}$		3	15	μA
			$T_{opr} = 85^{\circ}\text{C}$		30		μA
During flash memory program	$f_{(BCLK)} = 10\text{ MHz}$, PM17 = 1 (one wait) $V_{CC} = 5.0\text{ V}$		20.0		mA		
During flash memory erase	$f_{(BCLK)} = 10\text{ MHz}$, PM17 = 1 (one wait) $V_{CC} = 5.0\text{ V}$		30.0		mA		
I_{det2}	Low voltage detection dissipation current		3		μA		
I_{det0}	Reset area detection dissipation current		6		μA		

Note:

1. This indicates the memory in which the program to be executed exists.

J-Version, $V_{CC} = 5\text{ V}$

5.2.2 Timing Requirements (Peripheral Functions and Others)

($V_{CC} = 5\text{ V}$, $V_{SS} = 0\text{ V}$, at $T_{opr} = -40^{\circ}\text{C}$ to 85°C unless otherwise specified)

5.2.2.1 Reset Input ($\overline{\text{RESET}}$ Input)

Table 5.17 Reset Input ($\overline{\text{RESET}}$ Input)

Symbol	Parameter	Standard		Unit
		Min.	Max.	
$t_{w(\text{RSTL})}$	$\overline{\text{RESET}}$ input low pulse width	10		μs

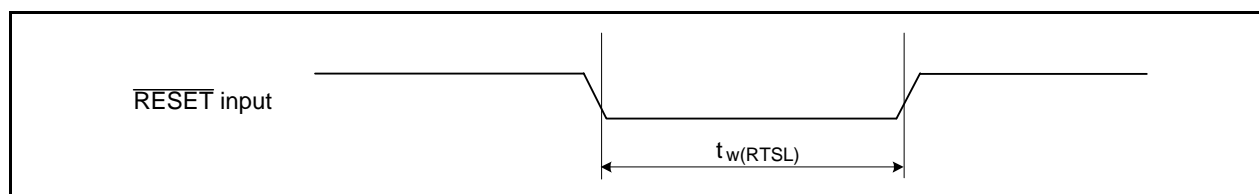


Figure 5.6 Reset Input ($\overline{\text{RESET}}$ Input)

5.2.2.2 External Clock Input

Table 5.18 External Clock Input (XIN Input) (1)

Symbol	Parameter	Standard		Unit
		Min.	Max.	
t_c	External clock input cycle time	50		ns
$t_{w(\text{H})}$	External clock input high pulse width	20		ns
$t_{w(\text{L})}$	External clock input low pulse width	20		ns
t_r	External clock rise time		9	ns
t_f	External clock fall time		9	ns

Note:

1. The condition is $V_{CC} = 5.0\text{V}$.

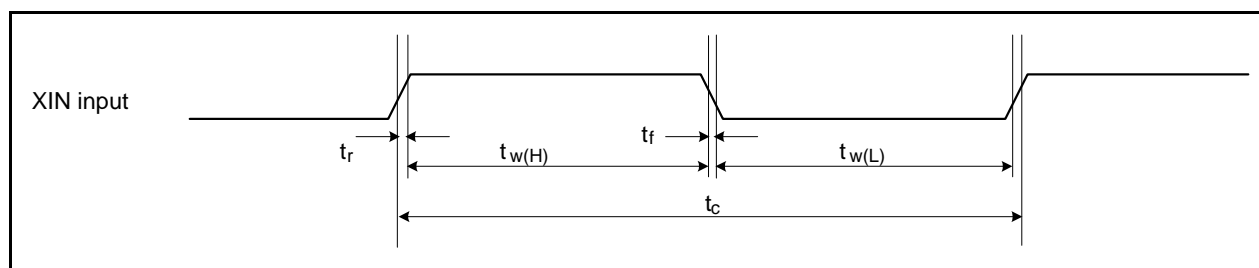


Figure 5.7 External Clock Input (XIN Input)

J-Version, $V_{CC} = 5\text{ V}$ **Timing Requirements** $(V_{CC} = 5\text{ V}, V_{SS} = 0\text{ V}, \text{ at } T_{opr} = -40^{\circ}\text{C to } 85^{\circ}\text{C unless otherwise specified})$ **5.2.2.3 Timer A Input****Table 5.19 Timer A Input (Counter Input in Event Counter Mode)**

Symbol	Parameter	Standard		Unit
		Min.	Max.	
$t_{c(TA)}$	TAiIN input cycle time	100		ns
$t_{w(TAH)}$	TAiIN input high pulse width	40		ns
$t_{w(TAL)}$	TAiIN input low pulse width	40		ns

Table 5.20 Timer A Input (Gating Input in Timer Mode)

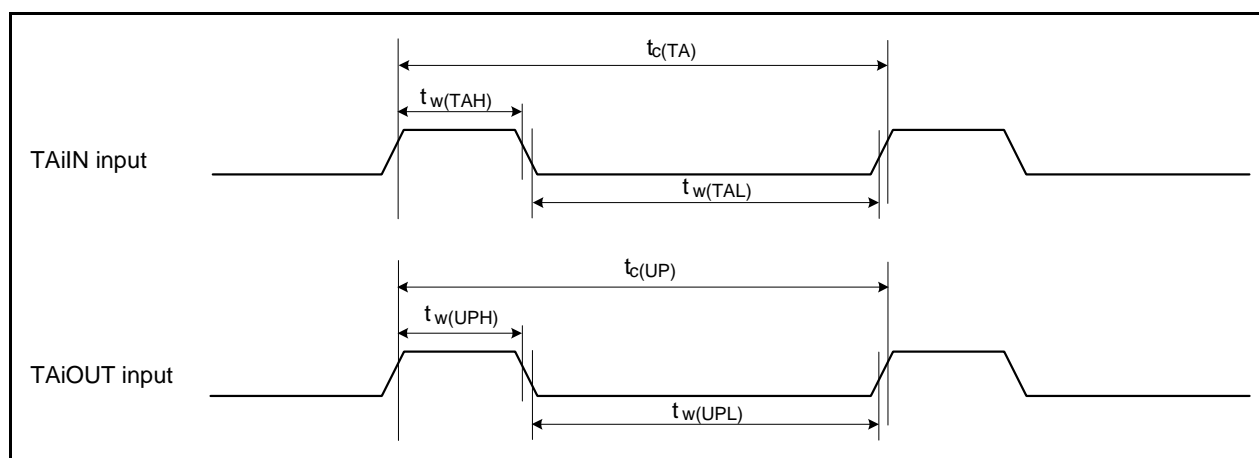
Symbol	Parameter	Standard		Unit
		Min.	Max.	
$t_{c(TA)}$	TAiIN input cycle time	400		ns
$t_{w(TAH)}$	TAiIN input high pulse width	200		ns
$t_{w(TAL)}$	TAiIN input low pulse width	200		ns

Table 5.21 Timer A Input (External Trigger Input in One-Shot Timer Mode)

Symbol	Parameter	Standard		Unit
		Min.	Max.	
$t_{c(TA)}$	TAiIN input cycle time	200		ns
$t_{w(TAH)}$	TAiIN input high pulse width	100		ns
$t_{w(TAL)}$	TAiIN input low pulse width	100		ns

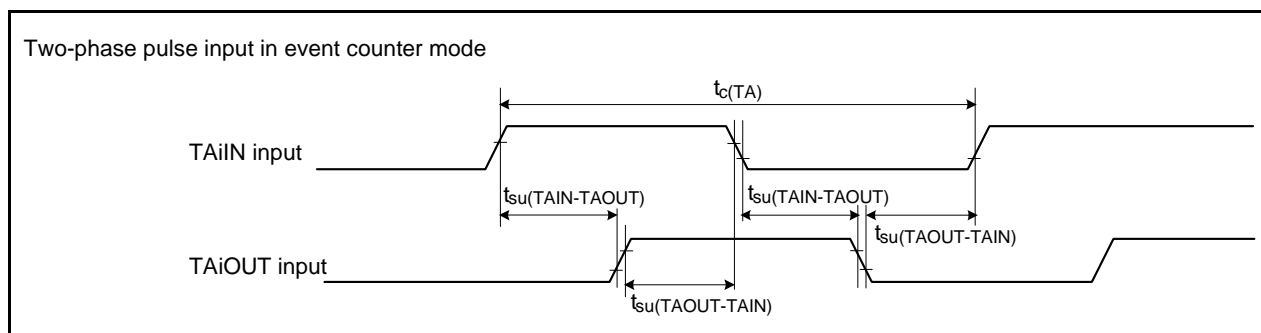
Table 5.22 Timer A Input (External Trigger Input in PWM Mode, Programmable Output Mode)

Symbol	Parameter	Standard		Unit
		Min.	Max.	
$t_{w(TAH)}$	TAiIN input high pulse width	100		ns
$t_{w(TAL)}$	TAiIN input low pulse width	100		ns

**Figure 5.8 Timer A Input**

J-Version, $V_{CC} = 5\text{ V}$ **Timing Requirements** $(V_{CC} = 5\text{ V}, V_{SS} = 0\text{ V}, \text{ at } T_{opr} = -40^{\circ}\text{C to } 85^{\circ}\text{C unless otherwise specified})$ **Table 5.23 Timer A Input (Two-Phase Pulse Input in Event Counter Mode)**

Symbol	Parameter	Standard		Unit
		Min.	Max.	
$t_{c(TA)}$	TAiIN input cycle time	800		ns
$t_{su(TAIN-TAOUT)}$	TAiOUT input setup time	200		ns
$t_{su(TAOUT-TAIN)}$	TAiIN input setup time	200		ns

**Figure 5.9 Timer A Input (Two-Phase Pulse Input in Event Counter Mode)**

J-Version, $V_{CC} = 5\text{ V}$

Timing Requirements

($V_{CC} = 5\text{ V}$, $V_{SS} = 0\text{ V}$, at $T_{opr} = -40^{\circ}\text{C}$ to 85°C unless otherwise specified)

5.2.2.4 Timer B Input

Table 5.24 Timer B Input (Counter Input in Event Counter Mode)

Symbol	Parameter	Standard		Unit
		Min.	Max.	
$t_{c(TB)}$	TBiIN input cycle time (counted on one edge)	100		ns
$t_{w(TBH)}$	TBiIN input high pulse width (counted on one edge)	40		ns
$t_{w(TBL)}$	TBiIN input low pulse width (counted on one edge)	40		ns
$t_{c(TB)}$	TBiIN input cycle time (counted on both edges)	200		ns
$t_{w(TBH)}$	TBiIN input high pulse width (counted on both edges)	80		ns
$t_{w(TBL)}$	TBiIN Input low pulse width (counted on both edges)	80		ns

Table 5.25 Timer B Input (Pulse Period Measurement Mode)

Symbol	Parameter	Standard		Unit
		Min.	Max.	
$t_{c(TB)}$	TBiIN input cycle time	400		ns
$t_{w(TBH)}$	TBiIN input high pulse width	200		ns
$t_{w(TBL)}$	TBiIN input low pulse width	200		ns

Table 5.26 Timer B Input (Pulse Width Measurement Mode)

Symbol	Parameter	Standard		Unit
		Min.	Max.	
$t_{c(TB)}$	TBiIN input cycle time	400		ns
$t_{w(TBH)}$	TBiIN input high pulse width	200		ns
$t_{w(TBL)}$	TBiIN input low pulse width	200		ns

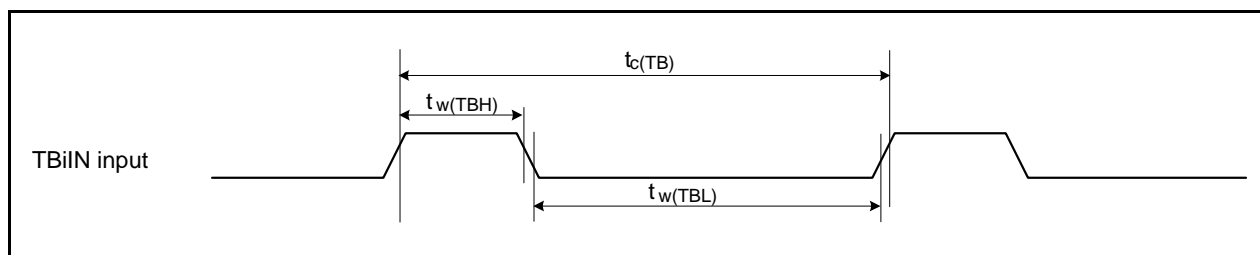


Figure 5.10 Timer B Input

J-Version, $V_{CC} = 5\text{ V}$

Timing Requirements

($V_{CC} = 5\text{ V}$, $V_{SS} = 0\text{ V}$, at $T_{opr} = -40^{\circ}\text{C}$ to 85°C unless otherwise specified)

5.2.2.5 Timer S Input

Table 5.27 Timer S Input (Two-Phase Pulse Input in Two-Phase Pulse Signal Processing Mode)

Symbol	Parameter	Standard		Unit
		Min.	Max.	
$t_w(\text{TSH})$	TSUDA, TSUDB input high pulse width	2		μS
$t_w(\text{TSL})$	TSUDA, TSUDB input low pulse width	2		μS
$t_{su}(\text{TSUDA-TSUDB})$	TSUDB input setup time	1		μS
$t_{su}(\text{TSUDB-TSUDA})$	TSUDA input setup time	1		μS

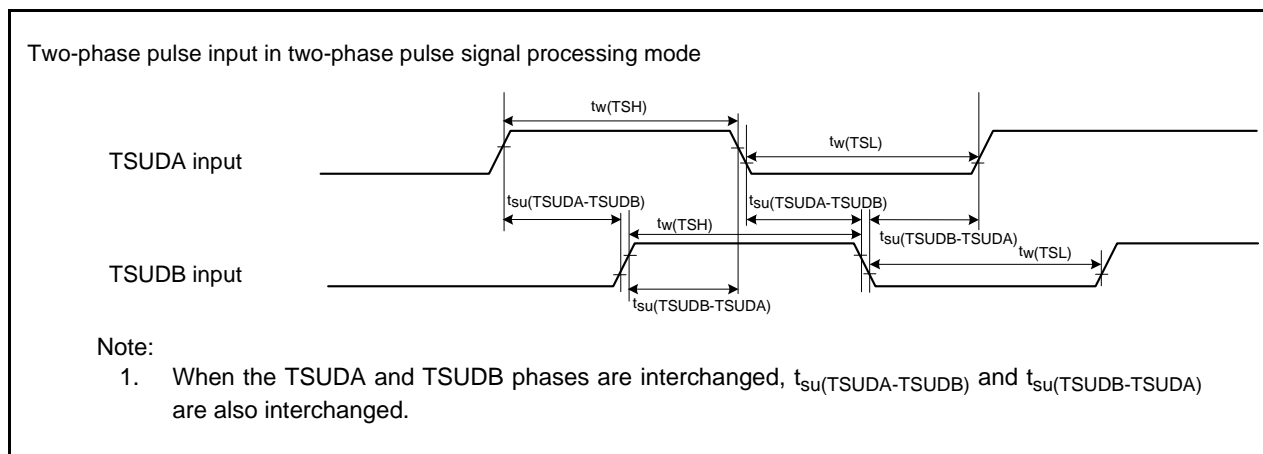
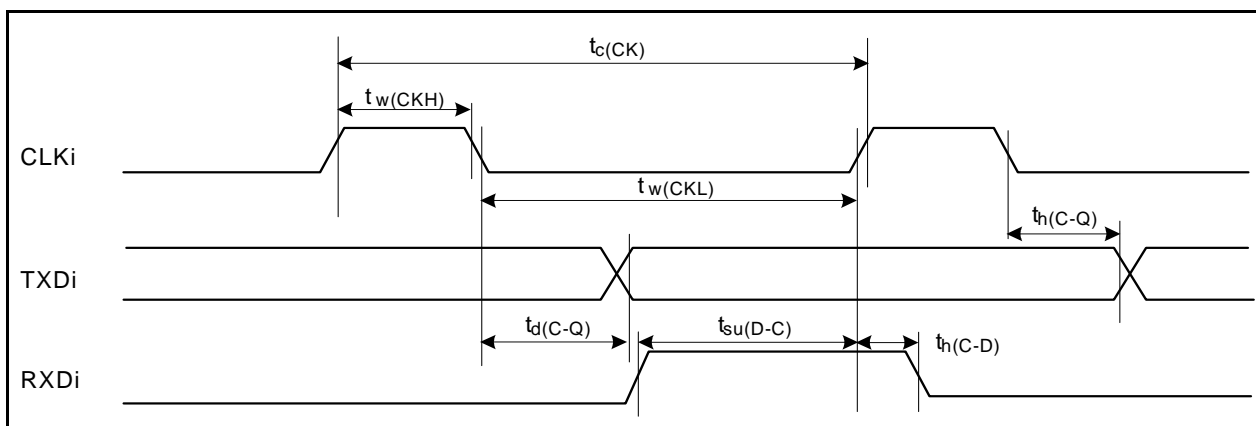


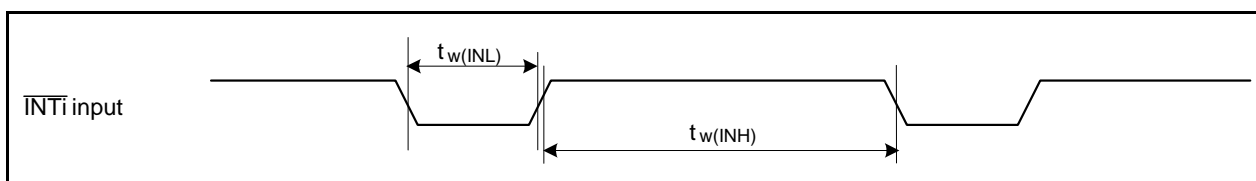
Figure 5.11 Timer S Input (Two-Phase Pulse Input in Two-Phase Pulse Signal Processing Mode)

J-Version, $V_{CC} = 5\text{ V}$ **Timing Requirements** $(V_{CC} = 5\text{ V}, V_{SS} = 0\text{ V}, \text{ at } T_{opr} = -40^{\circ}\text{C to } 85^{\circ}\text{C unless otherwise specified})$ **5.2.2.6 Serial Interface****Table 5.28 Serial Interface**

Symbol	Parameter	Standard		Unit
		Min.	Max.	
$t_{c(CK)}$	CLKi input cycle time	200		ns
$t_{w(CKH)}$	CLKi input high pulse width	100		ns
$t_{w(CKL)}$	CLKi input low pulse width	100		ns
$t_{d(C-Q)}$	TXDi output delay time		80	ns
$t_{h(C-Q)}$	TXDi hold time	0		ns
$t_{su(D-C)}$	RXDi input setup time	70		ns
$t_{h(C-D)}$	RXDi input hold time	90		ns

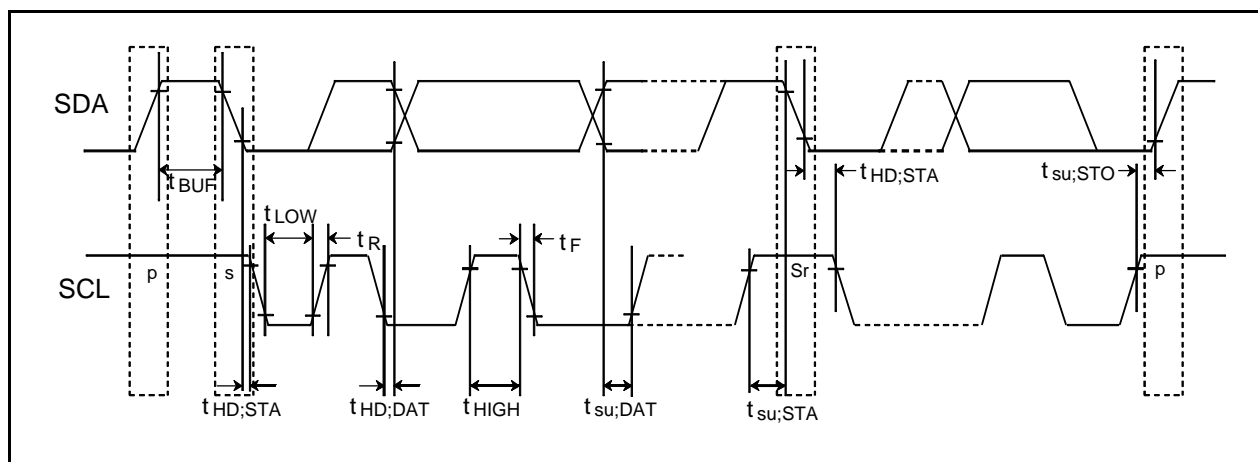
**Figure 5.12 Serial Interface****5.2.2.7 External Interrupt \overline{INTi} Input****Table 5.29 External Interrupt \overline{INTi} Input**

Symbol	Parameter	Standard		Unit
		Min.	Max.	
$t_{w(INH)}$	\overline{INTi} input high pulse width	250		ns
$t_{w(INL)}$	\overline{INTi} input low pulse width	250		ns

**Figure 5.13 External Interrupt \overline{INTi} Input**

J-Version, $V_{CC} = 5\text{ V}$ **Timing Requirements** $(V_{CC} = 5\text{ V}, V_{SS} = 0\text{ V}, \text{ at } T_{opr} = -40^{\circ}\text{C to } 85^{\circ}\text{C unless otherwise specified})$ **5.2.2.8 Multi-master I²C-bus****Table 5.30 Multi-master I²C-bus**

Symbol	Parameter	Standard Clock Mode		Fast-mode		Unit
		Min.	Max.	Min.	Max.	
t_{BUF}	Bus free time	4.7		1.3		μs
$t_{HD;STA}$	Hold time in start condition	4.0		0.6		μs
t_{LOW}	Hold time in SCL clock 0 status	4.7		1.3		μs
t_R	SCL, SDA signals' rising time		1000	$20 + 0.1 C_b$	300	ns
$t_{HD;DAT}$	Data hold time	0		0	0.9	μs
t_{HIGH}	Hold time in SCL clock 1 status	4.0		0.6		μs
t_F	SCL, SDA signals' falling time		300	$20 + 0.1 C_b$	300	ns
$t_{su;DAT}$	Data setup time	250		100		ns
$t_{su;STA}$	Setup time in restart condition	4.7		0.6		μs
$t_{su;STO}$	Stop condition setup time	4.0		0.6		μs

**Figure 5.14 Multi-master I²C-bus**

J-Version, $V_{CC} = 5\text{ V}$ **Timing Requirements****($V_{CC} = 5\text{ V}$, $V_{SS} = 0\text{ V}$, at $T_{opr} = -40^{\circ}\text{C}$ to 85°C unless otherwise specified)****5.2.2.9 Serial bus interface****Table 5.31 Serial Bus Interface**

Symbol	Characteristic		Measurement condition	Standard			Unit
				Min.	Typ.	Max.	
$t_{c(SSCK)}$	SSCK clock cycle time			250			ns
$t_{w(SSCKH)}$	SSCK clock high pulse width			0.4		0.6	$t_{c(SSCK)}$
$t_{w(SSCKL)}$	SSCK clock low pulse width			0.4		0.6	$t_{c(SSCK)}$
$t_{r(SSCK)}$	SSCK clock rising time	Master				1	$t_{CYC}^{(1)}$
		Slave				1	μs
$t_{f(SSCK)}$	SSCK clock falling time	Master				1	$t_{CYC}^{(1)}$
		Slave				1	μs
$t_{su(SSIO-SSCK)}$	SSO, SSI data input setup time			100			ns
$t_{h(SSCK-SSIO)}$	SSO, SSI data input hold time			1			$t_{CYC}^{(1)}$
$t_{su(SCS-SSCK)}$	\overline{SCS} setup time	Slave		$1 t_{CYC} + 50^{(1)}$			ns
$t_{h(SSCK-SCS)}$	\overline{SCS} hold time	Slave		$1 t_{CYC} + 50^{(1)}$			ns
$t_{d(SSCK-SSIO)}$	SSO, SSI data output delay time	Master				1	$t_{CYC}^{(1)}$
		Slave				80	ns
$t_{en(SCS-SSI)}$	SSI output enable time		$3.0\text{ V} \leq V_{CC} \leq 5.5\text{ V}$			$1.5 t_{CYC} + 100^{(1)}$	ns
$t_{dis(SCS-SSI)}$	SSI output disable time		$3.0\text{ V} \leq V_{CC} \leq 5.5\text{ V}$			$1.5 t_{CYC} + 100^{(1)}$	ns

Note:

1. $1 t_{CYC}$ is $1/f_1$ (s).

J-Version, $V_{CC} = 5\text{ V}$

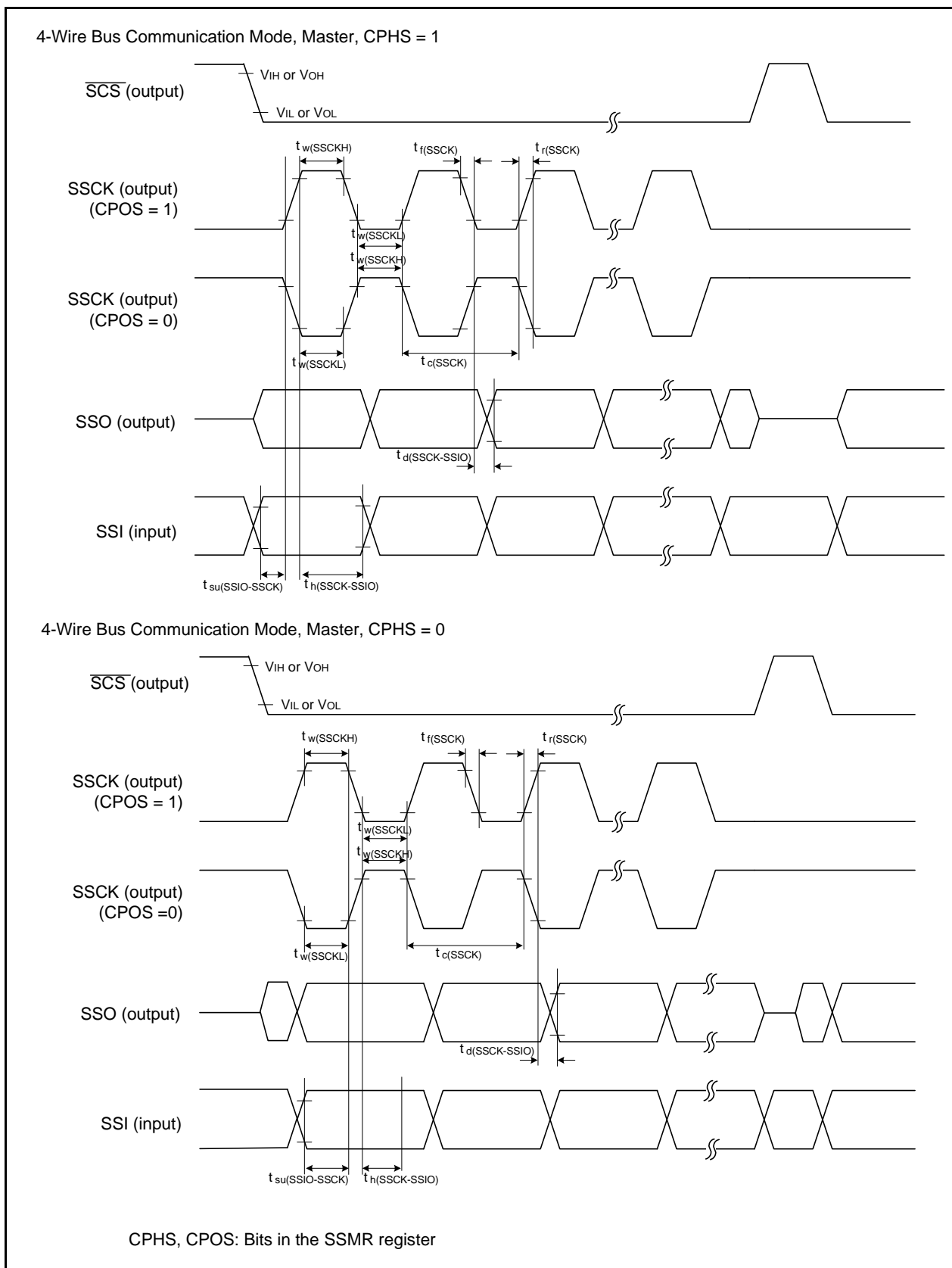


Figure 5.15 I/O Timing of Serial Bus Interface (Master)

J-Version, $V_{CC} = 5\text{ V}$

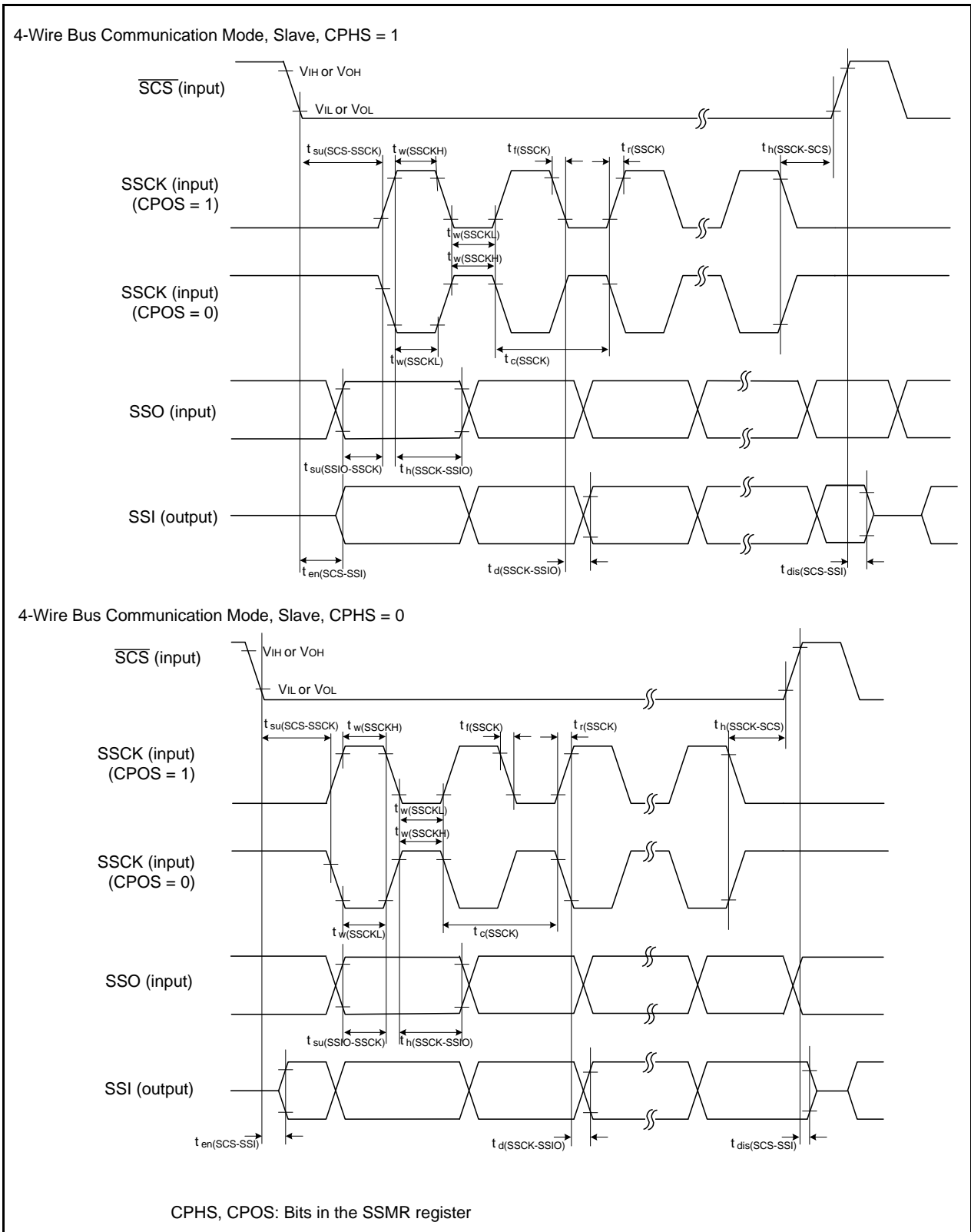


Figure 5.16 I/O Timing of Serial Bus Interface (Slave)

J-Version, $V_{CC} = 5\text{ V}$

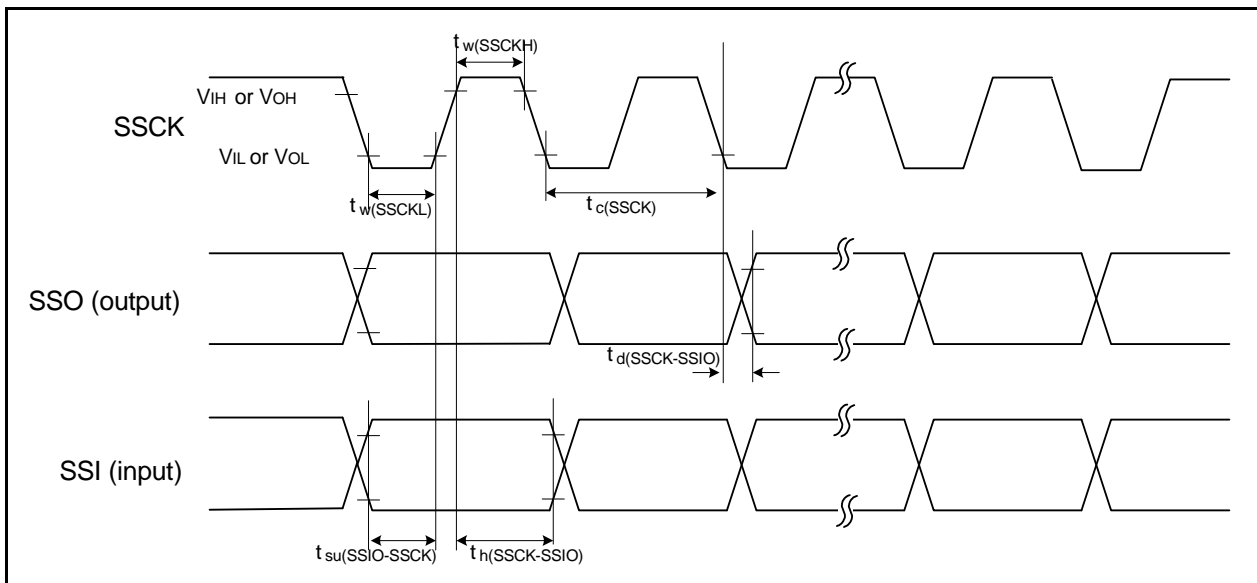


Figure 5.17 I/O Timing of Serial Bus Interface (Synchronous Communication Mode)

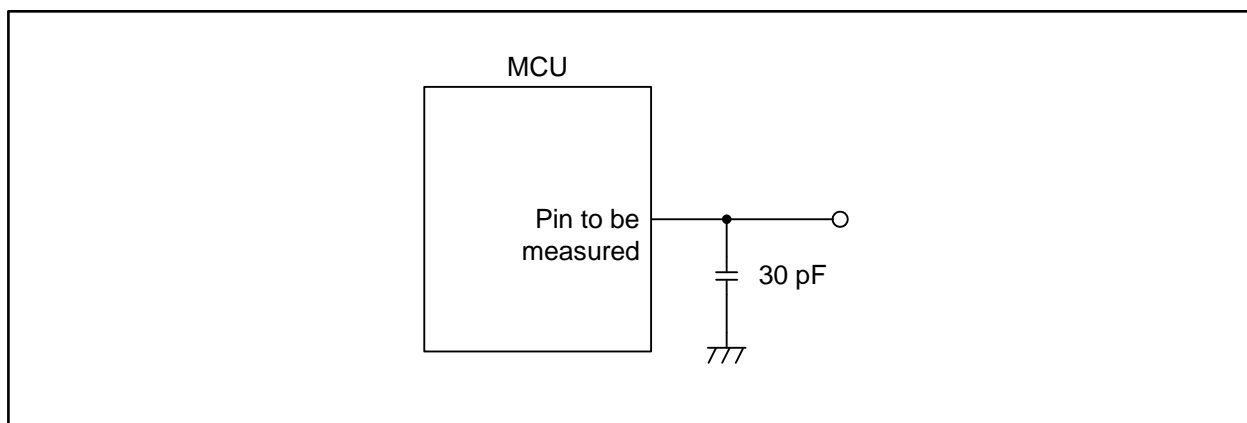


Figure 5.18 Switching Characteristic Measurement Circuit

5.3 Electrical Characteristics (J-Version, $V_{CC} = 3\text{ V}$)

5.3.1 Electrical Characteristics

J-Version, $V_{CC} = 3\text{ V}$

Table 5.32 Electrical Characteristics (1)

$V_{CC} = 3.0$ to 3.6 V , $V_{SS} = 0\text{ V}$ at $T_{opr} = -40^{\circ}\text{C}$ to 85°C , $f_{(BCLK)} = 32\text{ MHz}$ unless otherwise specified.

Symbol	Parameter		Measuring Condition	Standard			Unit
				Min.	Typ.	Max.	
V_{OH}	HIGH output voltage	P0_0 to P0_7, P1_0 to P1_7, P2_0 to P2_7, P3_0 to P3_7, P4_0 to P4_7, P5_0 to P5_7, P6_0 to P6_7, P7_0 to P7_7, P8_0 to P8_4, P8_6 to P8_7, P9_0 to P9_7, P10_0 to P10_7	$I_{OH} = -1\text{ mA}$	$V_{CC}-0.5$		V_{CC}	V
V_{OH}	HIGH output voltage	XOUT	HIGH POWER	$I_{OH} = -0.1\text{ mA}$	$V_{CC}-0.5$	V_{CC}	V
			LOW POWER	$I_{OH} = -50\text{ }\mu\text{A}$	$V_{CC}-0.5$	V_{CC}	
	HIGH output voltage	XCOUT	HIGH POWER	With no load applied		2.5	V
			LOW POWER	With no load applied		1.6	
V_{OL}	LOW output voltage	P0_0 to P0_7, P1_0 to P1_7, P2_0 to P2_7, P3_0 to P3_7, P4_0 to P4_7, P5_0 to P5_7, P6_0 to P6_7, P7_0 to P7_7, P8_0 to P8_7, P9_0 to P9_7, P10_0 to P10_7	$I_{OL} = 1\text{ mA}$			0.5	V
V_{OL}	LOW output voltage	XOUT	HIGH POWER	$I_{OL} = 0.1\text{ mA}$		0.5	V
			LOW POWER	$I_{OL} = 50\text{ }\mu\text{A}$		0.5	
	LOW output voltage	XCOUT	HIGH POWER	With no load applied		0	V
			LOW POWER	With no load applied		0	
V_{T+}, V_{T-}	Hysteresis	TA0IN to TA4IN, TB0IN to TB5IN, INT0 to INT7, NMI, ADTRG, CTS0 to CTS3, SCL2, SDA2, CLK0 to CLK4, TA0OUT to TA4OUT, K10 to K13, RXD0 to RXD4, ZP, IDU, IDW, IDV, SD, INPC1_0 to INPC1_7, SSI0, SSCK0, SCS0, LIN0IN, CRX0, CRX1				$0.4V_{CC}$	V
V_{T+}, V_{T-}	Hysteresis	RESET				1.8	V
V_{T+}, V_{T-}	Hysteresis	XIN				0.8	V
I_{IH}	HIGH input current	P0_0 to P0_7, P1_0 to P1_7, P2_0 to P2_7, P3_0 to P3_7, P4_0 to P4_7, P5_0 to P5_7, P6_0 to P6_7, P7_0 to P7_7, P8_0 to P8_7, P9_0 to P9_7, P10_0 to P10_7 XIN, RESET, CNVSS	$V_I = 3\text{ V}$			4.0	μA
I_{IL}	LOW input current	P0_0 to P0_7, P1_0 to P1_7, P2_0 to P2_7, P3_0 to P3_7, P4_0 to P4_7, P5_0 to P5_7, P6_0 to P6_7, P7_0 to P7_7, P8_0 to P8_7, P9_0 to P9_7, P10_0 to P10_7 XIN, RESET, CNVSS	$V_I = 0\text{ V}$			-4.0	μA
R_{PULLUP}	Pull-up resistance	P0_0 to P0_7, P1_0 to P1_7, P2_0 to P2_7, P3_0 to P3_7, P4_0 to P4_7, P5_0 to P5_7, P6_0 to P6_7, P7_0 to P7_7, P8_0 to P8_4, P8_6 to P8_7, P9_0 to P9_7, P10_0 to P10_7	$V_I = 0\text{ V}$	50	100	500	$\text{k}\Omega$
R_{FXIN}	Feedback resistance	XIN			3.0		$\text{M}\Omega$
R_{FXCIN}	Feedback resistance	XCIN			25		$\text{M}\Omega$
V_{RAM}	RAM retention voltage		At stop mode	2.0			V

J-Version, $V_{CC} = 3\text{ V}$ **Table 5.33 Electrical Characteristics (2)**

Topr = -40°C to 85°C unless otherwise specified.

Symbol	Parameter	Measuring Condition		Standard			Unit
				Min.	Typ.	Max.	
I_{CC}	Power supply current ($V_{CC} = 3.0\text{ V}$ to 3.6 V) In single-chip mode, the output pins are open and other pins are VSS	High speed mode	$f_{(BCLK)} = 32\text{ MHz}$, XIN = 8 MHz (square wave), PLL multiply-by-8 125 kHz on-chip oscillator operating		23	43	mA
			$f_{(BCLK)} = 20\text{ MHz}$, XIN = 20 MHz (square wave), 125 kHz on-chip oscillator operating		20	38	mA
			$f_{(BCLK)} = 16\text{ MHz}$, XIN = 16 MHz (square wave), 125 kHz on-chip oscillator operating		16		mA
		40 MHz on-chip oscillator mode	Main clock stopped 40 MHz on-chip oscillator operating 125 kHz on-chip oscillator operating No division		20	38	mA
			Main clock stopped 40 MHz on-chip oscillator operating 125 kHz on-chip oscillator operating Divide-by-8		6		mA
		125 kHz on-chip oscillator mode	Main clock stopped 40 MHz on-chip oscillator stopped 125 kHz on-chip oscillator operating Divide-by-8 FMR22 = FMR23 = 1 (Low-current consumption read mode)		190	580	μA
		Low power mode	$f_{(BCLK)} = 32\text{ kHz}$ On Flash memory ⁽¹⁾ FMR22 = FMR23 = 1 (Low-current consumption read mode)		200		μA
		Wait mode	Main clock stopped 40 MHz on-chip oscillator stopped 125 kHz on-chip oscillator operating Peripheral clock operating $T_{opr} = 25^\circ\text{C}$		25		μA
			Main clock stopped 40 MHz on-chip oscillator stopped 125 kHz on-chip oscillator operating Peripheral clock operating $T_{opr} = 85^\circ\text{C}$		55		μA
		Stop mode	$T_{opr} = 25^\circ\text{C}$		2	12	μA
			$T_{opr} = 85^\circ\text{C}$		30		μA
During flash memory program	$f_{(BCLK)} = 10\text{ MHz}$, PM17 = 1 (one wait) $V_{CC} = 3.0\text{ V}$		20.0		mA		
During flash memory erase	$f_{(BCLK)} = 10\text{ MHz}$, PM17 = 1 (one wait) $V_{CC} = 3.0\text{ V}$		30.0		mA		
I_{det2}	Low voltage detection dissipation current		3		μA		
I_{det0}	Reset area detection dissipation current		6		μA		

Note:

1. This indicates the memory in which the program to be executed exists.

J-Version, $V_{CC} = 3\text{ V}$

5.3.2 Timing Requirements (Peripheral Functions and Others)

($V_{CC} = 3\text{ V}$, $V_{SS} = 0\text{ V}$, at $T_{opr} = -40^{\circ}\text{C}$ to 85°C unless otherwise specified)

5.3.2.1 Reset Input ($\overline{\text{RESET}}$ Input)

Table 5.34 Reset Input ($\overline{\text{RESET}}$ Input)

Symbol	Parameter	Standard		Unit
		Min.	Max.	
$t_{w(\text{RSTL})}$	RESET input low pulse width	10		μs

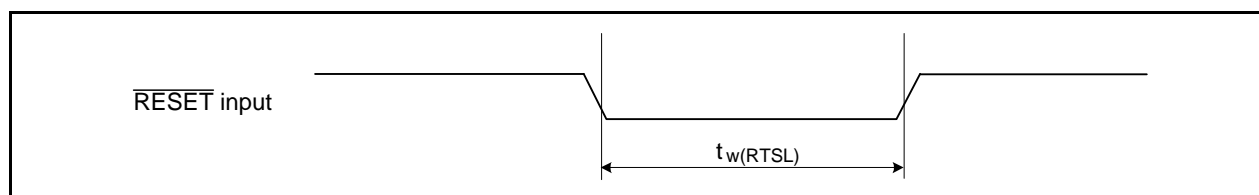


Figure 5.19 Reset Input ($\overline{\text{RESET}}$ Input)

5.3.2.2 External Clock Input

Table 5.35 External Clock Input (XIN input) (1)

Symbol	Parameter	Standard		Unit
		Min.	Max.	
t_c	External clock input cycle time	50		ns
$t_{w(\text{H})}$	External clock input high pulse width	20		ns
$t_{w(\text{L})}$	External clock input low pulse width	20		ns
t_r	External clock rise time		9	ns
t_f	External clock fall time		9	ns

Note:

1. The condition is $V_{CC} = 3.0\text{V}$.

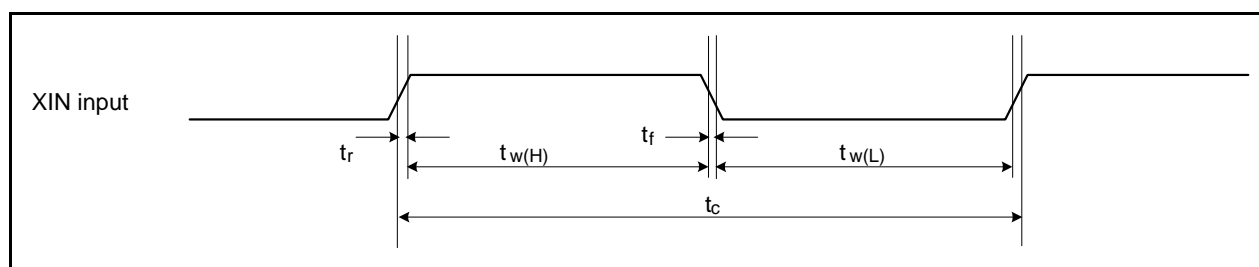


Figure 5.20 External Clock Input (XIN Input)

J-Version, $V_{CC} = 3\text{ V}$ **Timing Requirements** $(V_{CC} = 3\text{ V}, V_{SS} = 0\text{ V}, \text{ at } T_{opr} = -40^{\circ}\text{C to } 85^{\circ}\text{C unless otherwise specified})$ **5.3.2.3 Timer A Input****Table 5.36 Timer A Input (Counter Input in Event Counter Mode)**

Symbol	Parameter	Standard		Unit
		Min.	Max.	
$t_{c(TA)}$	TAiIN input cycle time	150		ns
$t_{w(TAH)}$	TAiIN input high pulse width	60		ns
$t_{w(TAL)}$	TAiIN input low pulse width	60		ns

Table 5.37 Timer A Input (Gating Input in Timer Mode)

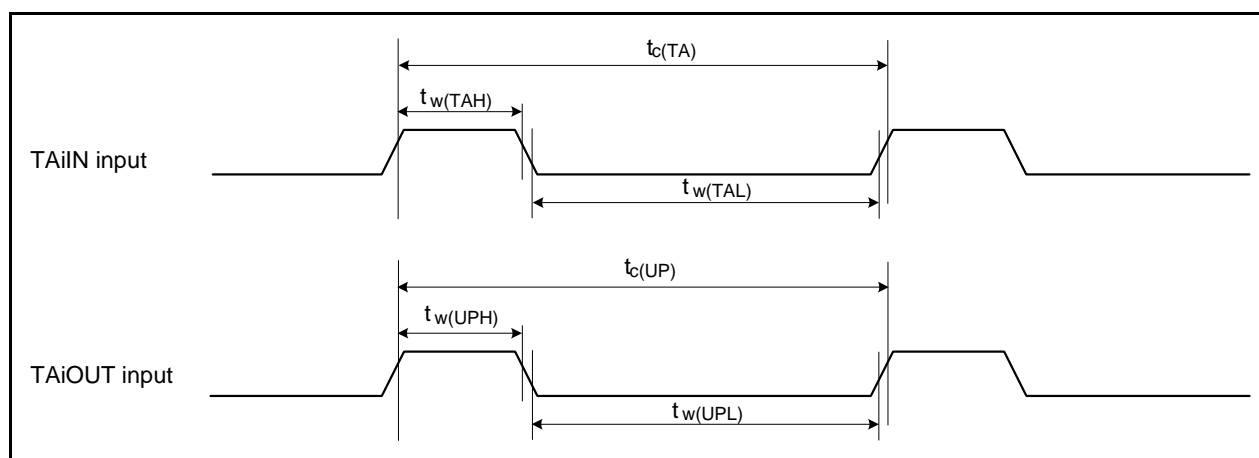
Symbol	Parameter	Standard		Unit
		Min.	Max.	
$t_{c(TA)}$	TAiIN input cycle time	600		ns
$t_{w(TAH)}$	TAiIN input high pulse width	300		ns
$t_{w(TAL)}$	TAiIN input low pulse width	300		ns

Table 5.38 Timer A Input (External Trigger Input in One-Shot Timer Mode)

Symbol	Parameter	Standard		Unit
		Min.	Max.	
$t_{c(TA)}$	TAiIN input cycle time	300		ns
$t_{w(TAH)}$	TAiIN input high pulse width	150		ns
$t_{w(TAL)}$	TAiIN input low pulse width	150		ns

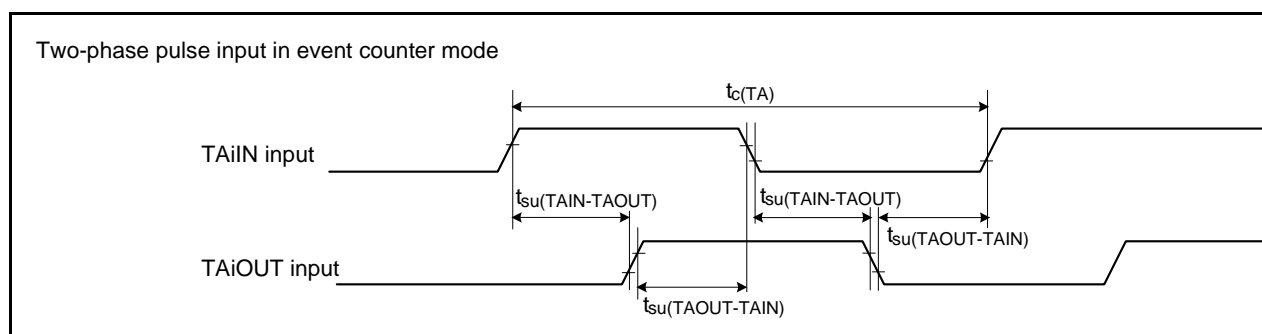
Table 5.39 Timer A Input (External Trigger Input in PWM Mode, Programmable Output Mode)

Symbol	Parameter	Standard		Unit
		Min.	Max.	
$t_{w(TAH)}$	TAiIN input high pulse width	150		ns
$t_{w(TAL)}$	TAiIN input low pulse width	150		ns

**Figure 5.21 Timer A Input**

J-Version, $V_{CC} = 3\text{ V}$ **Timing Requirements** $(V_{CC} = 3\text{ V}, V_{SS} = 0\text{ V}, \text{ at } T_{opr} = -40^{\circ}\text{C to } 85^{\circ}\text{C unless otherwise specified})$ **Table 5.40 Timer A Input (Two-Phase Pulse Input in Event Counter Mode)**

Symbol	Parameter	Standard		Unit
		Min.	Max.	
$t_{c(TA)}$	TAiIN input cycle time	2		μS
$t_{su(TAIN-TAOUT)}$	TAiOUT input setup time	500		ns
$t_{su(TAOUT-TAIN)}$	TAiIN input setup time	500		ns

**Figure 5.22 Timer A Input (Two-Phase Pulse Input in Event Counter Mode)**

J-Version, $V_{CC} = 3\text{ V}$ **Timing Requirements** $(V_{CC} = 3\text{ V}, V_{SS} = 0\text{ V}, \text{ at } T_{opr} = -40^{\circ}\text{C to } 85^{\circ}\text{C unless otherwise specified})$ **5.3.2.4 Timer B Input****Table 5.41 Timer B Input (Counter Input in Event Counter Mode)**

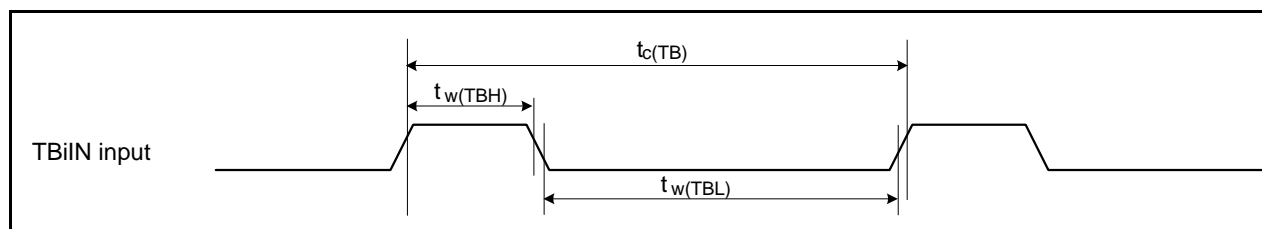
Symbol	Parameter	Standard		Unit
		Min.	Max.	
$t_{c(TB)}$	TBiIN input cycle time (counted on one edge)	150		ns
$t_{w(TBH)}$	TBiIN input high pulse width (counted on one edge)	60		ns
$t_{w(TBL)}$	TBiIN input low pulse width (counted on one edge)	60		ns
$t_{c(TB)}$	TBiIN input cycle time (counted on both edges)	300		ns
$t_{w(TBH)}$	TBiIN input high pulse width (counted on both edges)	120		ns
$t_{w(TBL)}$	TBiIN Input low pulse width (counted on both edges)	120		ns

Table 5.42 Timer B Input (Pulse Period Measurement Mode)

Symbol	Parameter	Standard		Unit
		Min.	Max.	
$t_{c(TB)}$	TBiIN input cycle time	600		ns
$t_{w(TBH)}$	TBiIN input high pulse width	300		ns
$t_{w(TBL)}$	TBiIN input low pulse width	300		ns

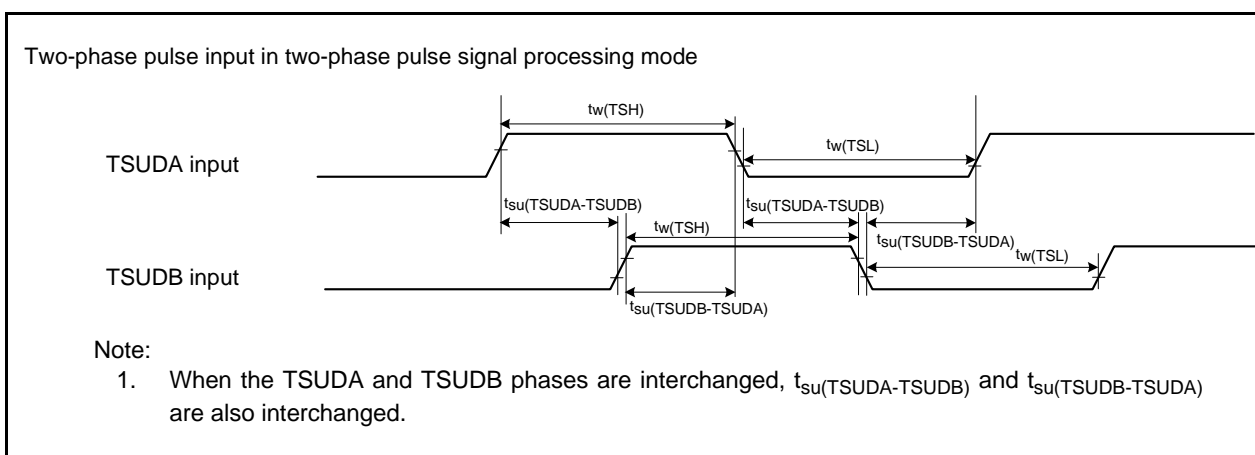
Table 5.43 Timer B Input (Pulse Width Measurement Mode)

Symbol	Parameter	Standard		Unit
		Min.	Max.	
$t_{c(TB)}$	TBiIN input cycle time	600		ns
$t_{w(TBH)}$	TBiIN input high pulse width	300		ns
$t_{w(TBL)}$	TBiIN input low pulse width	300		ns

**Figure 5.23 Timer B Input**

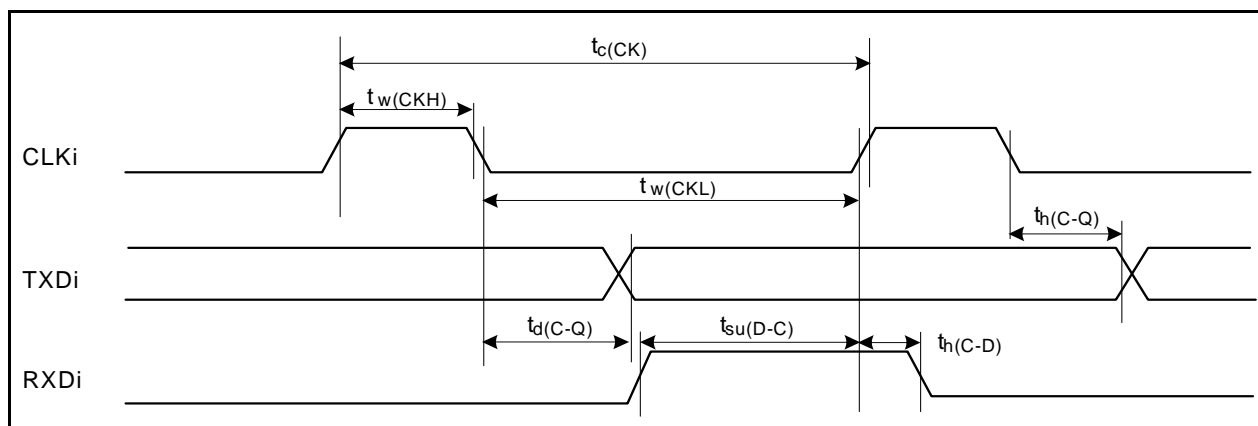
J-Version, $V_{CC} = 3\text{ V}$ **Timing Requirements** $(V_{CC} = 3\text{ V}, V_{SS} = 0\text{ V}, \text{ at } T_{opr} = -40^{\circ}\text{C to } 85^{\circ}\text{C unless otherwise specified})$ **5.3.2.5 Timer S Input****Table 5.44 Timer S Input (Two-Phase Pulse Input in Two-Phase Pulse Signal Processing Mode)**

Symbol	Parameter	Standard		Unit
		Min.	Max.	
$t_w(\text{TSH})$	TSUDA, TSUDB input high pulse width	2		μS
$t_w(\text{TSL})$	TSUDA, TSUDB input low pulse width	2		μS
$t_{su}(\text{TSUDA-TSUDB})$	TSUDB input setup time	1		μS
$t_{su}(\text{TSUDB-TSUDA})$	TSUDA input setup time	1		μS

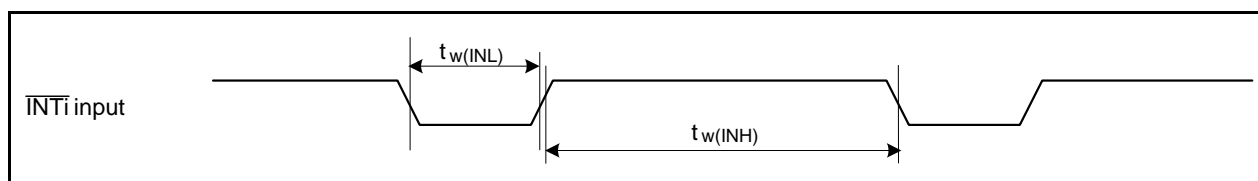
**Figure 5.24 Timer S Input (Two-Phase Pulse Input in Two-Phase Pulse Signal Processing Mode)**

J-Version, $V_{CC} = 3\text{ V}$ **Timing Requirements** $(V_{CC} = 3\text{ V}, V_{SS} = 0\text{ V}, \text{ at } T_{opr} = -40^{\circ}\text{C to } 85^{\circ}\text{C unless otherwise specified})$ **5.3.2.6 Serial Interface****Table 5.45 Serial Interface**

Symbol	Parameter	Standard		Unit
		Min.	Max.	
$t_{c(CK)}$	CLKi input cycle time	300		ns
$t_{w(CKH)}$	CLKi input high pulse width	150		ns
$t_{w(CKL)}$	CLKi input low pulse width	150		ns
$t_{d(C-Q)}$	TXDi output delay time		160	ns
$t_{h(C-Q)}$	TXDi hold time	0		ns
$t_{su(D-C)}$	RXDi input setup time	100		ns
$t_{h(C-D)}$	RXDi input hold time	90		ns

**Figure 5.25 Serial Interface****5.3.2.7 External Interrupt \overline{INTi} Input****Table 5.46 External Interrupt \overline{INTi} Input**

Symbol	Parameter	Standard		Unit
		Min.	Max.	
$t_{w(INH)}$	\overline{INTi} Input HIGH Pulse Width	380		ns
$t_{w(INL)}$	\overline{INTi} Input LOW Pulse Width	380		ns

**Figure 5.26 External Interrupt \overline{INTi} Input**

J-Version, $V_{CC} = 3\text{ V}$

Timing Requirements

($V_{CC} = 3\text{ V}$, $V_{SS} = 0\text{ V}$, at $T_{opr} = -40^{\circ}\text{C}$ to 85°C unless otherwise specified)

5.3.2.8 Multi-master I²C-bus

Table 5.47 Multi-master I²C-bus

Symbol	Parameter	Standard Clock Mode		Fast-mode		Unit
		Min.	Max.	Min.	Max.	
t_{BUF}	Bus free time	4.7		1.3		μs
$t_{HD;STA}$	Hold time in start condition	4.0		0.6		μs
t_{LOW}	Hold time in SCL clock 0 status	4.7		1.3		μs
t_R	SCL, SDA signals' rising time		1000	$20 + 0.1 C_b$	300	ns
$t_{HD;DAT}$	Data hold time	0		0	0.9	μs
t_{HIGH}	Hold time in SCL clock 1 status	4.0		0.6		μs
t_F	SCL, SDA signals' falling time		300	$20 + 0.1 C_b$	300	ns
$t_{su;DAT}$	Data setup time	250		100		ns
$t_{su;STA}$	Setup time in restart condition	4.7		0.6		μs
$t_{su;STO}$	Stop condition setup time	4.0		0.6		μs

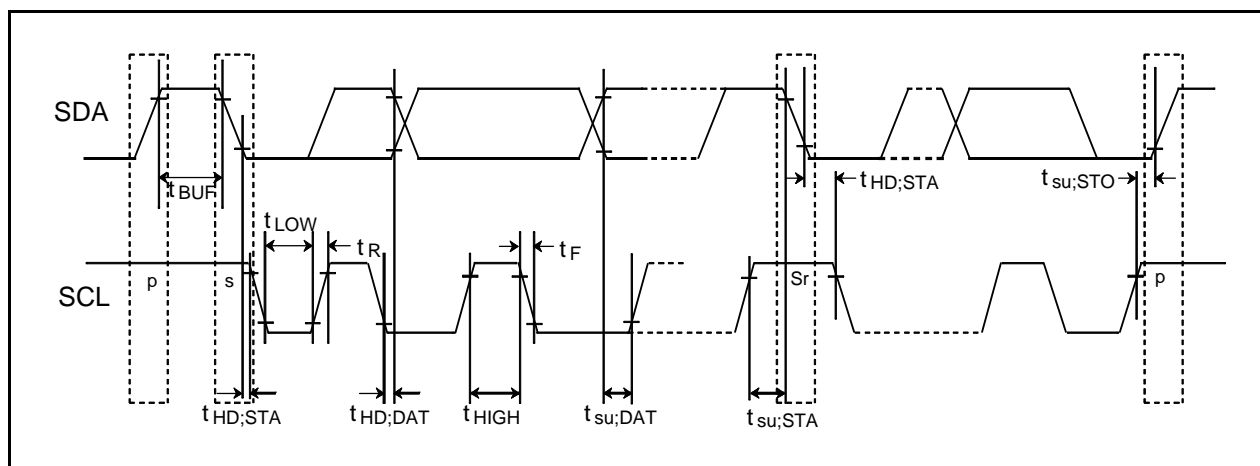


Figure 5.27 Multi-master I²C-bus

J-Version, $V_{CC} = 3\text{ V}$ **Timing Requirements****($V_{CC} = 3\text{ V}$, $V_{SS} = 0\text{ V}$, at $T_{opr} = -40^{\circ}\text{C}$ to 85°C unless otherwise specified)****5.3.2.9 Serial bus interface****Table 5.48 Serial Bus Interface**

Symbol	Characteristic		Measurement condition	Standard			Unit
				Min.	Typ.	Max.	
$t_{c(SSCK)}$	SSCK clock cycle time			250			ns
$t_{w(SSCKH)}$	SSCK clock high pulse width			0.4		0.6	$t_{c(SSCK)}$
$t_{w(SSCKL)}$	SSCK clock low pulse width			0.4		0.6	$t_{c(SSCK)}$
$t_{r(SSCK)}$	SSCK clock rising time	Master				1	$t_{CYC}^{(1)}$
		Slave				1	μs
$t_{f(SSCK)}$	SSCK clock falling time	Master				1	$t_{CYC}^{(1)}$
		Slave				1	μs
$t_{su(SSIO-SSCK)}$	SSO, SSI data input setup time			100			ns
$t_{h(SSCK-SSIO)}$	SSO, SSI data input hold time			1			$t_{CYC}^{(1)}$
$t_{su(SCS-SSCK)}$	\overline{SCS} setup time	Slave		$1 t_{CYC} + 50^{(1)}$			ns
$t_{h(SSCK-SCS)}$	\overline{SCS} hold time	Slave		$1 t_{CYC} + 50^{(1)}$			ns
$t_{d(SSCK-SSIO)}$	SSO, SSI data output delay time	Master				1	$t_{CYC}^{(1)}$
		Slave				80	ns
$t_{en(SCS-SSI)}$	SSI output enable time		$3.0\text{ V} \leq V_{CC} \leq 5.5\text{ V}$			$1.5 t_{CYC} + 100^{(1)}$	ns
$t_{dis(SCS-SSI)}$	SSI output disable time		$3.0\text{ V} \leq V_{CC} \leq 5.5\text{ V}$			$1.5 t_{CYC} + 100^{(1)}$	ns

Note:

1. $1 t_{CYC}$ is $1/f_1$ (s).

J-Version, $V_{CC} = 3\text{ V}$

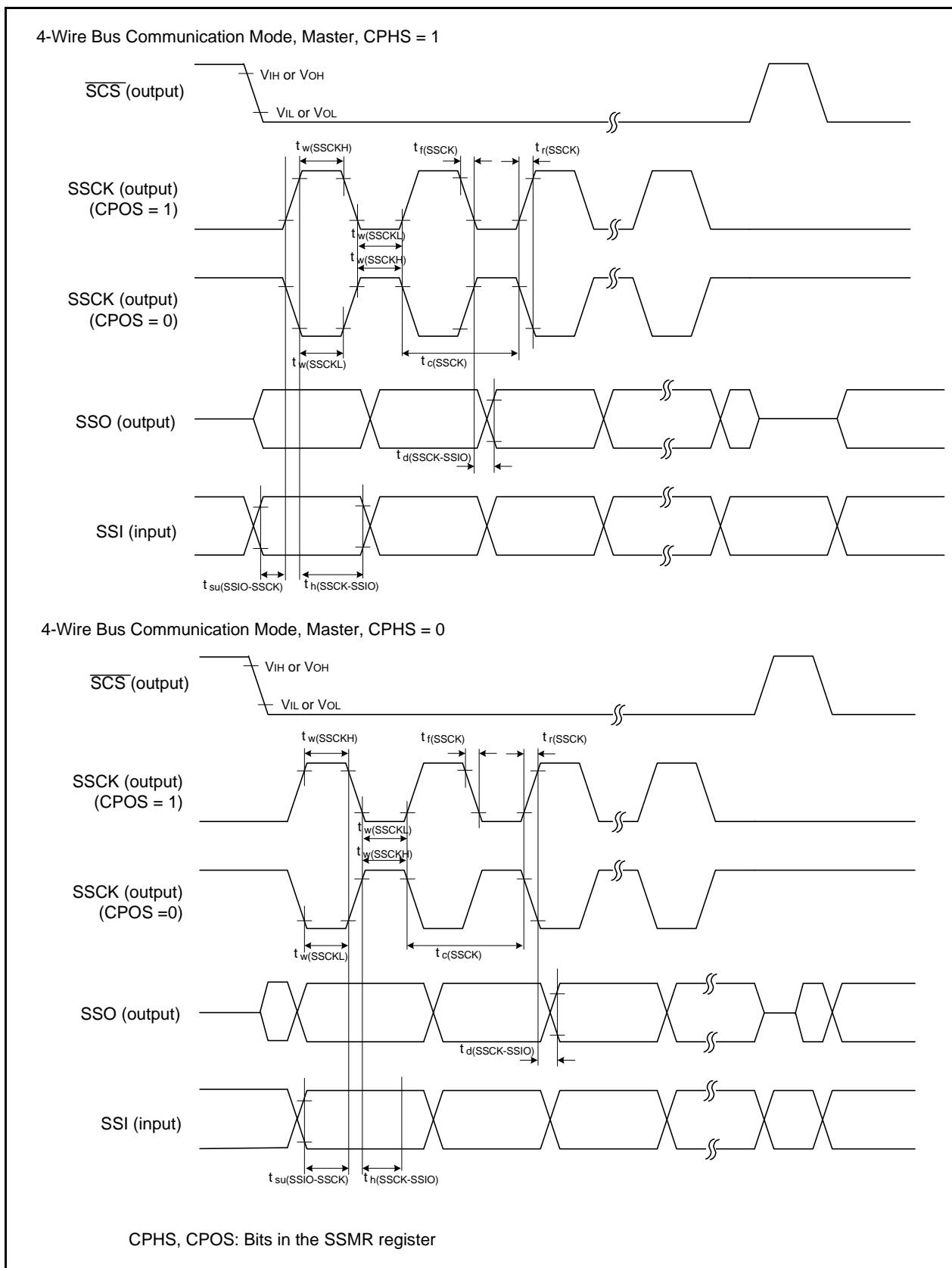


Figure 5.28 I/O Timing of Serial Bus Interface (Master)

J-Version, $V_{CC} = 3\text{ V}$

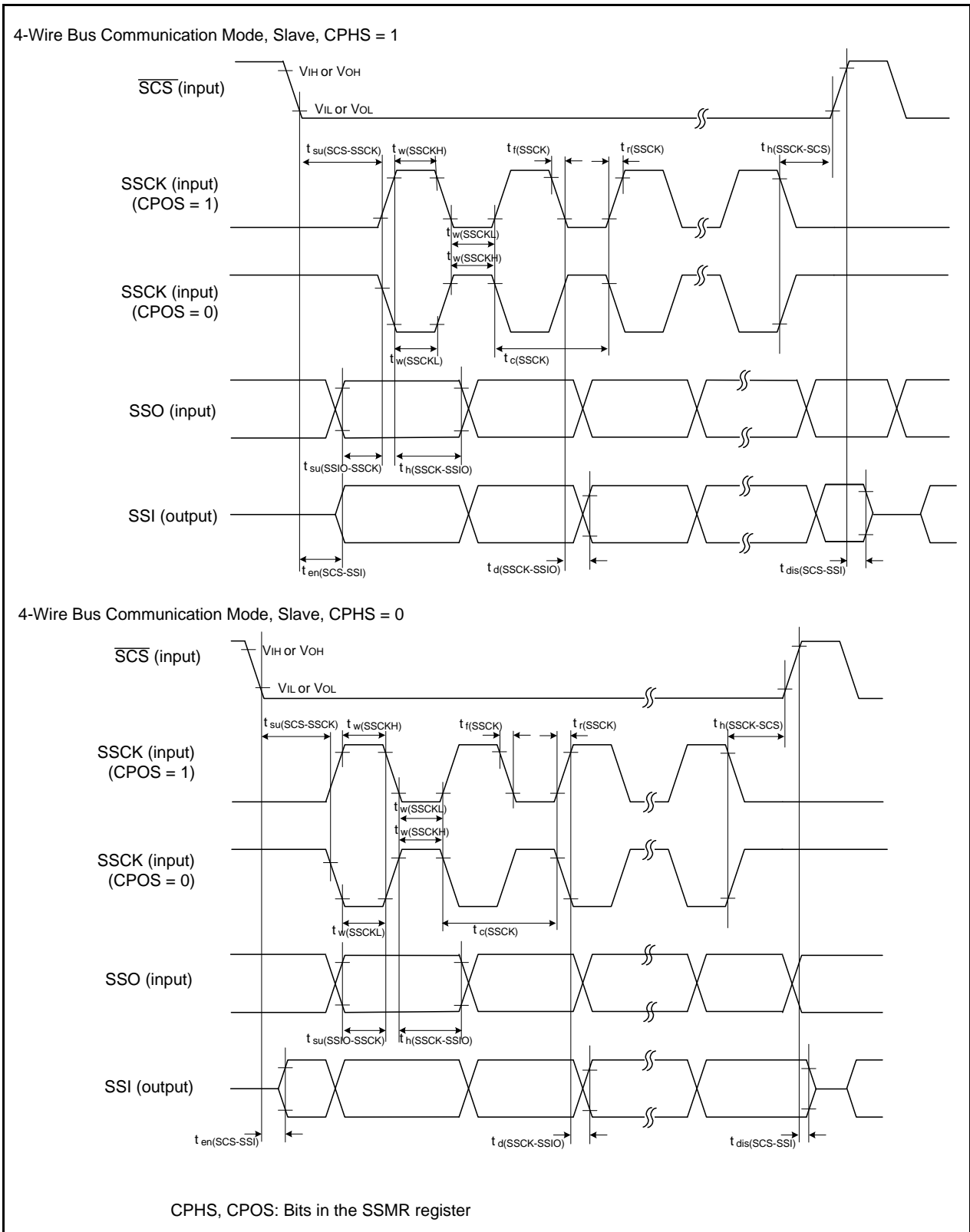


Figure 5.29 I/O Timing of Serial Bus Interface (Slave)

J-Version, $V_{CC} = 3\text{ V}$

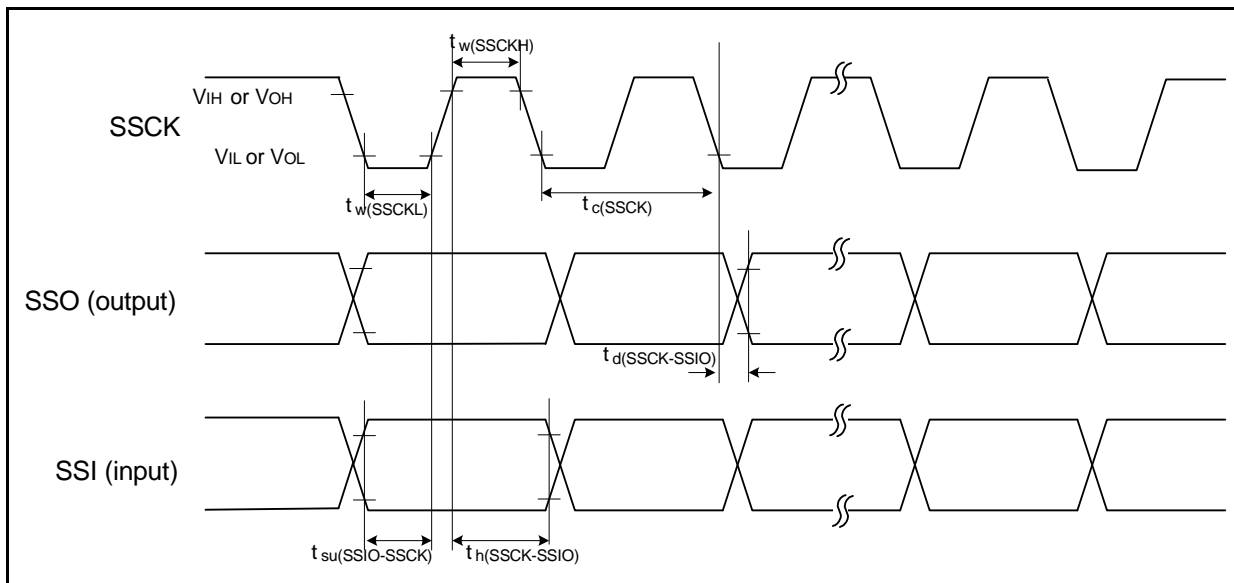


Figure 5.30 I/O Timing of Serial Bus Interface (Synchronous Communication Mode)

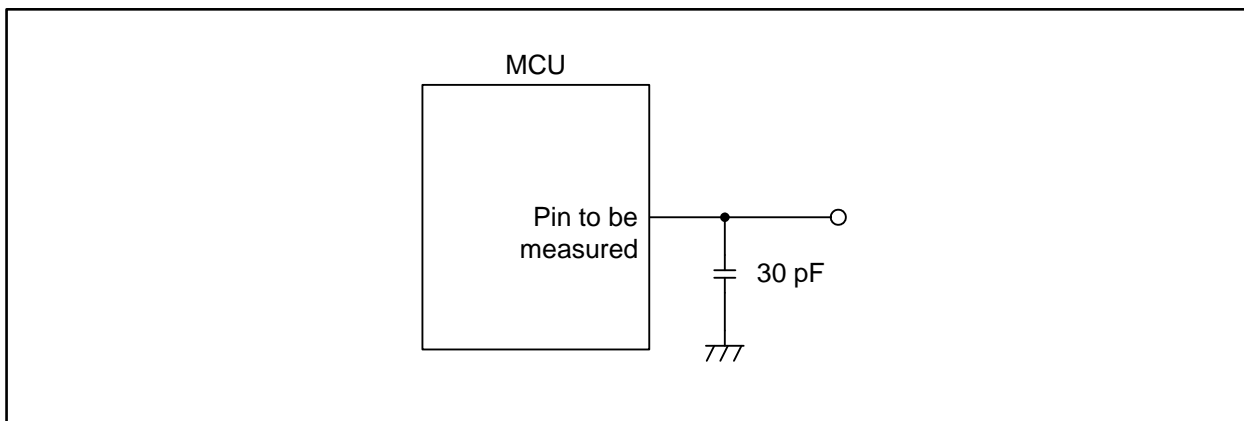


Figure 5.31 Switching Characteristic Measurement Circuit

K-Version

5.4 Electrical Characteristics (K-Version, Common to 3 V and 5 V)

5.4.1 Absolute Maximum Rating

Table 5.49 Absolute Maximum Ratings

Symbol	Characteristic		Condition	Rated Value	Unit
V_{CC}	Supply voltage		$V_{CC} = AV_{CC}$	-0.3 to 6.5	V
AV_{CC}	Analog supply voltage		$V_{CC} = AV_{CC}$	-0.3 to 6.5	V
V_{REF}	Analog reference voltage			-0.3 to $V_{CC} + 0.1$ ⁽¹⁾	V
V_I	Input voltage	P0_0 to P0_7, P1_0 to P1_7, P2_0 to P2_7, P3_0 to P3_7, P4_0 to P4_7, P5_0 to P5_7, P6_0 to P6_7, P7_0 to P7_7, P8_0 to P8_7, P9_0 to P9_7, P10_0 to P10_7 XIN, RESET, CNVSS, VREF		-0.3 to $V_{CC} + 0.3$	V
V_O	Output voltage	P0_0 to P0_7, P1_0 to P1_7, P2_0 to P2_7, P3_0 to P3_7, P4_0 to P4_7, P5_0 to P5_7, P6_0 to P6_7, P7_0 to P7_7, P8_0 to P8_7, P9_0 to P9_7, P10_0 to P10_7 XOUT		-0.3 to $V_{CC} + 0.3$	V
P_d	Power consumption		$-40^{\circ}\text{C} \leq T_{opr} \leq 85^{\circ}\text{C}$	300	mW
			$85^{\circ}\text{C} < T_{opr} \leq 125^{\circ}\text{C}$	250	mW
T_{opr}	Operating temperature range	While CPU operation		-40 to 125	°C
		While flash memory program and erase operation	Programming area	0 to 60	
			Data area	-40 to 125	
T_{stg}	Storage temperature range			-65 to 150	°C

Note:

1. Maximum value is 6.5 V.

K-Version

5.4.2 Recommended Operating Conditions

Table 5.50 Operating Conditions (1)
 $V_{CC} = 3.0\text{ V to }5.5\text{ V}$, $T_{opr} = -40^{\circ}\text{C to }125^{\circ}\text{C}$ unless otherwise specified.

Symbol	Characteristic		Standard			Unit	
			Min.	Typ.	Max.		
V_{CC}	Supply voltage		3.0		5.5	V	
AV_{CC}	Analog supply voltage			V_{CC}		V	
V_{SS}	Ground voltage			0		V	
AV_{SS}	Analog ground voltage			0		V	
V_{IH}	High level input voltage	P0_0 to P0_7, P1_0 to P1_7, P2_0 to P2_7, P3_0 to P3_7, P4_0 to P4_7, P5_0 to P5_7, P6_0 to P6_7, P7_0 to P7_7, P8_0 to P8_7, P9_0 to P9_7, P10_0 to P10_7	Input level 0.50 V_{CC}	0.7 V_{CC}	V_{CC}	V	
			Input level 0.70 V_{CC}	0.85 V_{CC}	V_{CC}	V	
		XIN, $\overline{\text{RESET}}$, CNVSS		0.8 V_{CC}		V_{CC}	
		SDAMM, SCLMM	When I ² C-bus input level selected	0.7 V_{CC}		V_{CC}	V
When SMBUS input level selected	2.1			V_{CC}	V		
V_{IL}	Low level input voltage	P0_0 to P0_7, P1_0 to P1_7, P2_0 to P2_7, P3_0 to P3_7, P4_0 to P4_7, P5_0 to P5_7, P6_0 to P6_7, P7_0 to P7_7, P8_0 to P8_7, P9_0 to P9_7, P10_0 to P10_7	Input level 0.50 V_{CC}	0	0.3 V_{CC}	V	
			Input level 0.70 V_{CC}	0	0.45 V_{CC}	V	
		XIN, $\overline{\text{RESET}}$, CNVSS		0		0.2 V_{CC}	V
		SDAMM, SCLMM	When I ² C-bus input level selected	0		0.3 V_{CC}	V
When SMBUS input level selected	0			0.8	V		
$I_{OH(sum)}$	High peak output current	Sum of $I_{OH(peak)}$ at P0_0 to P0_7, P1_0 to P1_7, P2_0 to P2_7, P3_0 to P3_7, P4_0 to P4_7, P5_0 to P5_7, P6_0 to P6_7, P7_0 to P7_7, P8_0 to P8_4, P8_6 to P8_7, P9_0 to P9_7, P10_0 to P10_7			-80.0	mA	
$I_{OH(peak)}$	High level peak output current	P0_0 to P0_7, P1_0 to P1_7, P2_0 to P2_7, P3_0 to P3_7, P4_0 to P4_7, P5_0 to P5_7, P6_0 to P6_7, P7_0 to P7_7, P8_0 to P8_4, P8_6 to P8_7, P9_0 to P9_7, P10_0 to P10_7			-10.0	mA	
$I_{OH(avg)}$	High level average output current (2)	P0_0 to P0_7, P1_0 to P1_7, P2_0 to P2_7, P3_0 to P3_7, P4_0 to P4_7, P5_0 to P5_7, P6_0 to P6_7, P7_0 to P7_7, P8_0 to P8_4, P8_6 to P8_7, P9_0 to P9_7, P10_0 to P10_7			-5.0	mA	
$I_{OL(sum)}$	Low peak output current	Sum of $I_{OL(peak)}$ at P0_0 to P0_7, P1_0 to P1_7, P2_0 to P2_7, P3_0 to P3_7, P4_0 to P4_7, P5_0 to P5_7, P6_0 to P6_7, P7_0 to P7_7, P8_0 to P8_7, P9_0 to P9_7, P10_0 to P10_7			80.0	mA	
$I_{OL(peak)}$	Low level peak output current	P0_0 to P0_7, P1_0 to P1_7, P2_0 to P2_7, P3_0 to P3_7, P4_0 to P4_7, P5_0 to P5_7, P6_0 to P6_7, P7_0 to P7_7, P8_0 to P8_7, P9_0 to P9_7, P10_0 to P10_7			10.0	mA	
$I_{OL(avg)}$	Low level average output current (2)	P0_0 to P0_7, P1_0 to P1_7, P2_0 to P2_7, P3_0 to P3_7, P4_0 to P4_7, P5_0 to P5_7, P6_0 to P6_7, P7_0 to P7_7, P8_0 to P8_7, P9_0 to P9_7, P10_0 to P10_7			5.0	mA	
$f_{(XIN)}$	Main clock input oscillation frequency (2)		0		20	MHz	
$f_{(XCIN)}$	Sub clock oscillation frequency			32.768	50	kHz	
$f_{(PLL)}$	PLL clock oscillation frequency (2)		10		32	MHz	
$f_{(BCLK)}$	CPU operation frequency		0		32	MHz	
$t_{su(PLL)}$	Wait time to stabilize PLL frequency synthesizer				1	ms	

Notes:

- The mean output current is the mean value within 100 ms.
- Refer to "Figure 5.1 "Main clock input oscillation frequency, PLL clock oscillation frequency"" for the relationship between main clock oscillation frequency/PLL clock oscillation frequency and supply voltage.

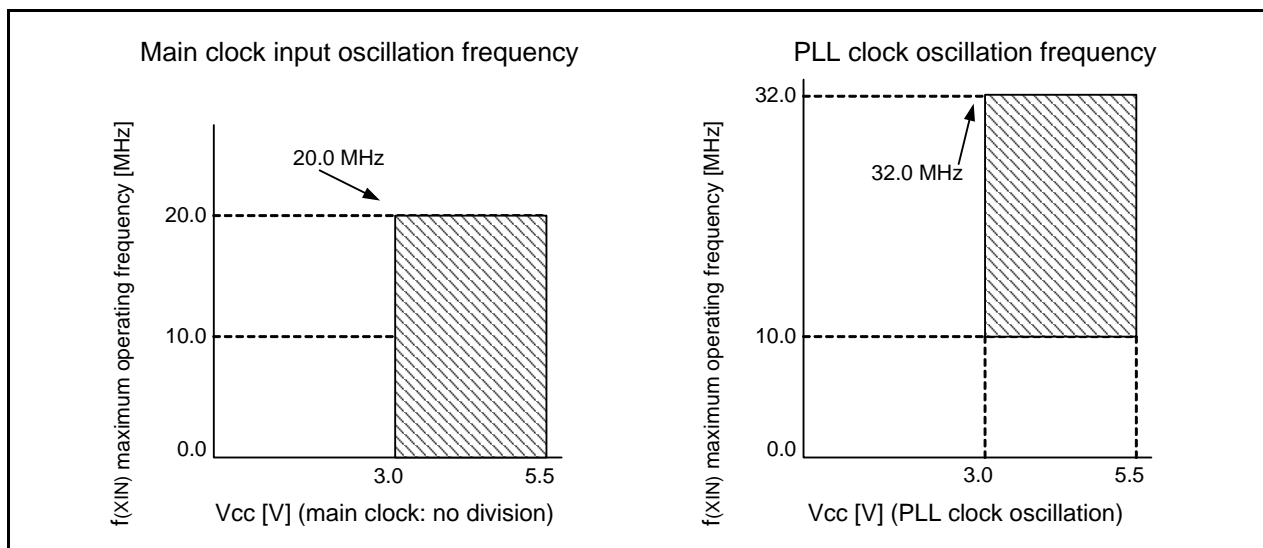


Figure 5.32 Main Clock Input Oscillation Frequency, PLL Clock Oscillation Frequency

Table 5.51 Recommended Operating Conditions (2/2) (1)

$V_{CC} = 3.0$ to 5.5 V, $V_{SS} = 0$ V, and $T_{opr} = -40^{\circ}\text{C}$ to 125°C unless otherwise specified.

The ripple voltage must not exceed $V_{r(VCC)}$ and/or $dV_{r(VCC)}/dt$.

Symbol	Parameter	Standard			Unit
		Min.	Typ.	Max.	
$V_{r(VCC)}$	Allowable ripple voltage	$V_{CC} = 5.0$ V		0.5	Vp-p
		$V_{CC} = 3.0$ V		0.3	Vp-p
$dV_{r(VCC)}/dt$	Ripple voltage falling gradient	$V_{CC} = 5.0$ V		0.3	V/ms
		$V_{CC} = 3.0$ V		0.3	V/ms

Note:

1. The device is operationally guaranteed under these operating conditions.

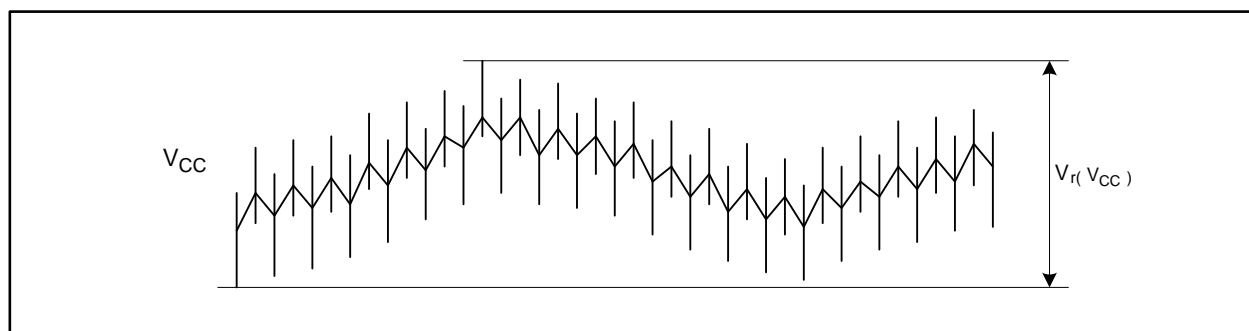


Figure 5.33 Ripple Waveform

K-Version

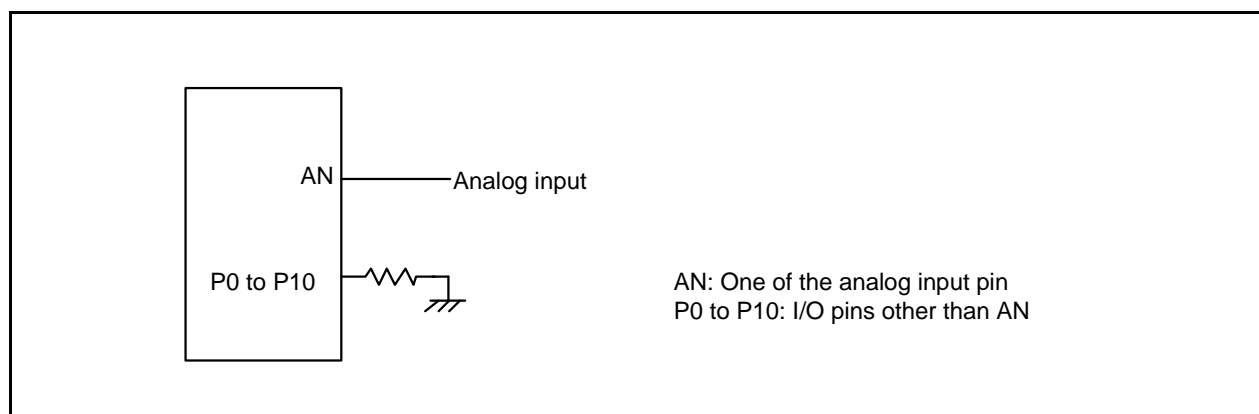
5.4.3 A/D Conversion Characteristics

Table 5.52 A/D Conversion Characteristics (1) $V_{CC} = AV_{CC} = V_{REF} = 3.0$ to 5.5 V, $V_{SS} = AV_{SS} = 0$ V at $T_{opr} = -40^{\circ}\text{C}$ to 125°C unless otherwise specified.

Symbol	Parameter	Measuring Condition	Standard			Unit
			Min.	Typ.	Max.	
—	Resolution	$V_{REF} = V_{CC}$			10	Bits
I_{NL}	Integral non-linearity error	$V_{REF} = V_{CC} = 5.0$ V (2)			± 3	LSB
		$V_{REF} = V_{CC} = 3.3$ V (2)			± 5	LSB
—	Absolute accuracy	$V_{REF} = V_{CC} = 5.0$ V (2)			± 3	LSB
		$V_{REF} = V_{CC} = 3.3$ V (2)			± 5	LSB
ϕ_{AD}	A/D operating clock frequency	4.0 V $\leq V_{CC} \leq 5.5$ V	2		25	MHz
		3.2 V $\leq V_{CC} \leq 4.0$ V	2		16	MHz
		3.0 V $\leq V_{CC} \leq 3.2$ V	2		10	MHz
—	Tolerance level impedance			3		k Ω
D_{NL}	Differential non-linearity error	See note 2			± 1	LSB
—	Offset error (4)	See note 2			± 3	LSB
—	Gain error (4)	See note 2			± 3	LSB
t_{CONV}	10-bit conversion time	$V_{REF} = V_{CC} = 5$ V, $\phi_{AD} = 25$ MHz	1.60			μ s
t_{smp}	Sampling time		0.6			μ s
V_{REF}	Reference voltage		3.0		V_{CC}	V
V_{IA}	Analog input voltage (3)		0		V_{REF}	V

Notes:

1. Use when $AV_{CC} = V_{CC}$
2. Flash memory rewrite disabled. Except for the analog input pin, set the pins to be measured as input ports and connect them to V_{SS} . See Figure 5.34 "A/D Accuracy Measure Circuit".
3. When analog input voltage is over reference voltage, the result of A/D conversion is 3FFh.

**Figure 5.34 A/D Accuracy Measure Circuit**

K-Version

5.4.4 D/A Conversion Characteristics

Table 5.53 D/A Conversion Characteristics

$V_{CC} = AV_{CC} = V_{REF} = 3.0$ to 5.5 V, $V_{SS} = AV_{SS} = 0$ V at $T_{opr} = -40^{\circ}\text{C}$ to 125°C unless otherwise specified.

Symbol	Parameter	Measuring Condition	Standard			Unit
			Min.	Typ.	Max.	
-	Resolution				8	Bits
-	Absolute accuracy				2.5	LSB
t_{SU}	Setup time				3	μs
R_O	Output resistance		5	6	8.2	$\text{k}\Omega$
I_{VREF}	Reference power supply input current	See Notes ¹ and ²			1.5	mA

Notes:

1. This applies when using one D/A converter, with the D/A register for the unused D/A converter set to 00h.
2. The current consumption of the A/D converter is not included. Also, the I_{VREF} of the D/A converter will flow even if the ADSTBY bit in the ADCON1 register is 0 (A/D operation stopped (standby)).

5.4.5 Flash Memory Electrical Characteristics

Table 5.54 CPU Clock When Operating Flash Memory ($f_{(BCLK)}$)

$V_{CC} = 3.0$ to 5.5 V at $T_{opr} = -40^{\circ}\text{C}$ to 125°C , unless otherwise specified.

Symbol	Parameter	Conditions	Standard			Unit
			Min.	Typ.	Max.	
-	CPU rewrite mode				16 (1)	MHz
$f_{(SLOW_R)}$	Slow read mode				5 (3)	MHz
-	Low current consumption read mode			fC	35	kHz
-	Data flash read				20 (2)	MHz

Notes:

1. Set the PM17 bit in the PM1 register to 1 (one wait).
2. When the frequency is over this value, set the FMR17 bit in the FMR1 register to 0 (one wait) or the PM17 bit in the PM1 register to 1 (one wait)
3. Set the PM17 bit in the PM1 register to 1 (one wait). No wait states are required if the 125 kHz on-chip oscillator clock or sub clock is used as the clock source of the CPU clock.

K-Version

Table 5.55 Flash Memory (Program ROM 1, 2) Electrical Characteristics $V_{CC} = 3.0$ to 5.5 V at $T_{opr} = 0^{\circ}\text{C}$ to 60°C , unless otherwise specified.

Symbol	Parameter	Conditions	Standard			Unit
			Min.	Typ.	Max.	
-	Program/erase cycles (1, 3, 4)	$V_{CC} = 3.3$ V, $T_{opr} = 25^{\circ}\text{C}$	1,000 (2)			times
-	2 words program time	$V_{CC} = 3.3$ V, $T_{opr} = 25^{\circ}\text{C}$		150	4000	μs
-	Lock bit program time	$V_{CC} = 3.3$ V, $T_{opr} = 25^{\circ}\text{C}$		70	3000	μs
-	Block erase time	$V_{CC} = 3.3$ V, $T_{opr} = 25^{\circ}\text{C}$		0.2	3.0	s
$t_{d(SR-SUS)}$	Time delay from suspend request until suspend				$5 + \frac{3}{f_{(BCLK)}}$	ms
-	Interval from erase start/restart until following suspend request		0			μs
-	Suspend interval necessary for auto-erasure to complete (7)		20			ms
-	Time from suspend until erase restart				$30 + \frac{1}{f_{(BCLK)}}$	μs
-	Program, erase voltage		3.0		5.5	V
-	Read voltage	$T_{opr} = -40^{\circ}\text{C}$ to 125°C	3.0		5.5	V
-	Program, erase temperature		0		60	$^{\circ}\text{C}$
t_{PS}	Flash Memory Circuit Stabilization Wait Time				50	μs
-	Data hold time (6)	Ambient temperature = 55°C	20			year

Notes:

1. Definition of program and erase cycles:

The program and erase cycles refer to the number of per-block erasures. If the program and erase cycles are n ($n = 1,000$), each block can be erased n times. For example, if a 64 KB block is erased after writing 2 word data 16,384 times, each to a different address, this counts as one program and erase cycles. Data cannot be written to the same address more than once without erasing the block (rewrite prohibited).

2. Cycles to guarantee all electrical characteristics after program and erase. (1 to Min. value can be guaranteed).
3. In a system that executes multiple programming operations, the actual erasure count can be reduced by writing to sequential addresses in turn so that as much of the block as possible is used up before performing an erase operation. It is advisable to retain data on the erasure cycles of each block and limit the number of erase operations to a certain number.
4. If an error occurs during block erase, attempt to execute the clear status register command, then execute the block erase command at least three times until the erase error does not occur.
5. Customers desiring program/erase failure rate information should contact a Renesas Electronics sales office.
6. The data hold time includes time that the power supply is off or the clock is not supplied.
7. After an erase start or erase restart, if an interval of at least 20 ms is not set before the next suspend request, the erase sequence cannot be completed.

K-Version

Table 5.56 Flash Memory (Data Flash) Electrical Characteristics $V_{CC} = 3.0$ to 5.5 V at $T_{opr} = -40^{\circ}\text{C}$ to 125°C , unless otherwise specified.

Symbol	Parameter	Conditions	Standard			Unit
			Min.	Typ.	Max.	
-	Program/erase cycles (1, 3, 4)	$V_{CC} = 3.3$ V, $T_{opr} = 25^{\circ}\text{C}$	10,000 (2)			times
-	2 words program time	$V_{CC} = 3.3$ V, $T_{opr} = 25^{\circ}\text{C}$		300	4000	μs
-	Lock bit program time	$V_{CC} = 3.3$ V, $T_{opr} = 25^{\circ}\text{C}$		140	3000	μs
-	Block erase time	$V_{CC} = 3.3$ V, $T_{opr} = 25^{\circ}\text{C}$		0.2	3.0	s
$t_{d(SR-SUS)}$	Time delay from suspend request until suspend				$5 + \frac{3}{f(BCLK)}$	ms
-	Interval from erase start/restart until following suspend request		0			μs
-	Suspend interval necessary for auto-erasure to complete (7)		20			ms
-	Time from suspend until erase restart				$30 + \frac{1}{f(BCLK)}$	μs
-	Program, erase voltage		3.0		5.5	V
-	Read voltage		3.0		5.5	V
-	Program, erase temperature		-40		125	$^{\circ}\text{C}$
t_{PS}	Flash Memory Circuit Stabilization Wait Time				50	μs
-	Data hold time (6)	Ambient temperature = 55°C	20			year

Notes:

- Definition of program and erase cycles
The program and erase cycles refer to the number of per-block erasures.
If the program and erase cycles are n ($n = 10,000$), each block can be erased n times.
For example, if a 4 KB block is erased after writing 2 word data 1,024 times, each to a different address, this counts as one program and erase cycles. Data cannot be written to the same address more than once without erasing the block (rewrite prohibited).
- Cycles to guarantee all electrical characteristics after program and erase. (1 to Min. value can be guaranteed).
- In a system that executes multiple programming operations, the actual erasure count can be reduced by writing to sequential addresses in turn so that as much of the block as possible is used up before performing an erase operation. For example, when programming groups of 16 bytes, the effective number of rewrites can be minimized by programming up to 256 groups before erasing them all in one operation. In addition, averaging the erasure cycles between blocks A and B can further reduce the actual erasure cycles. It is also advisable to retain data on the erasure cycles of each block and limit the number of erase operations to a certain number.
- If an error occurs during block erase, attempt to execute the clear status register command, then execute the block erase command at least three times until the erase error does not occur.
- Customers desiring program/erase failure rate information should contact a Renesas Electronics sales office.
- The data hold time includes time that the power supply is off or the clock is not supplied.
- After an erase start or erase restart, if an interval of at least 20 ms is not set before the next suspend request, the erase sequence cannot be completed.

5.4.6 E2PROM Emulation Data Flash

Table 5.57 E²PROM Emulation Data Flash Electrical Characteristics

$V_{CC} = 3.0$ to 5.5 V at $T_{opr} = -40^{\circ}\text{C}$ to 125°C , unless otherwise specified.

Symbol	Characteristic	Standard			Unit
		Min.	Typ.	Max.	
—	Program/erase cycles (1)	100000			times
—	Word program time (2-byte program)		100	2000	μs
—	Read time (2-byte read)			1	μs
—	Block erase time (32-byte block)		15	200	ms
t_{PS}	Flash memory circuit stabilization wait time (sleep mode to normal mode)		35	50	μs
—	Data hold time (2)	Ambient temperature = 55°C (3, 4)	20		years

Notes:

- Definition of program/erase cycles definition
 This value represents the number of erasure per block.
 If the flash memory is programmed/erased n times, each block can be erased n times.
 i.e. If a word write is performed in different 16 addresses in a block and then the block is erased, it is considered the programming/erasure is performed just once. However a write in the same address more than once for one erasure is disabled. (overwrite disabled).
- The data hold time includes the periods when the supply voltage is not applied and no clock is provided.
- This data hold time includes (3000) hours in Ambient temperature = 125°C .
- Please contact a Renesas Electronics sales office regarding data retention time other than the above.

K-Version

5.4.7 Voltage Detector and Power Supply Circuit Electrical Characteristics

Table 5.58 Voltage Detector 0 Electrical Characteristics

The measurement condition is $V_{CC} = 3.0$ to 5.5 V, $T_{opr} = -40^{\circ}\text{C}$ to 125°C , unless otherwise specified.

Symbol	Parameter	Condition	Standard			Unit
			Min.	Typ.	Max.	
V_{det0}	Voltage detection level V_{det0}	When V_{CC} is falling.	2.70	2.85	3.00	V
$t_{d(E-A)}$	Waiting time until voltage detector operation starts (1)	$V_{CC} = 3.0$ to 5.0 V			100	μs

Note:

1. Necessary time until the voltage detector operates when setting to 1 again after setting the VC25 bit in the VCR2 register to 0.

Table 5.59 Voltage Detector 2 Electrical Characteristics

The measurement condition is $V_{CC} = 3.0$ to 5.5 V, $T_{opr} = -40^{\circ}\text{C}$ to 125°C , unless otherwise specified.

Symbol	Parameter	Condition	Standard			Unit
			Min.	Typ.	Max.	
V_{det2_0}	Voltage detection level V_{det2_0}	When V_{CC} is falling		3.21		V
V_{det2_1}	Voltage detection level V_{det2_1}			3.36		V
V_{det2_2}	Voltage detection level V_{det2_2}			3.51		V
V_{det2_3}	Voltage detection level V_{det2_3}			3.66		V
V_{det2_4}	Voltage detection level V_{det2_4}		3.51	3.81	4.11	V
V_{det2_5}	Voltage detection level V_{det2_5}			3.96		V
V_{det2_6}	Voltage detection level V_{det2_6}			4.10		V
V_{det2_7}	Voltage detection level V_{det2_7}			4.25		V
-	Hysteresis width at the rising of V_{CC} in voltage detector 2			0.15		V
$t_{d(E-A)}$	Waiting time until voltage detector operation starts (1)	$V_{CC} = 3.0$ to 5.0 V			100	μs

Note:

1. Necessary time until the voltage detector operates after setting to 1 again after setting the VC27 bit in the VCR2 register to 0.

K-Version

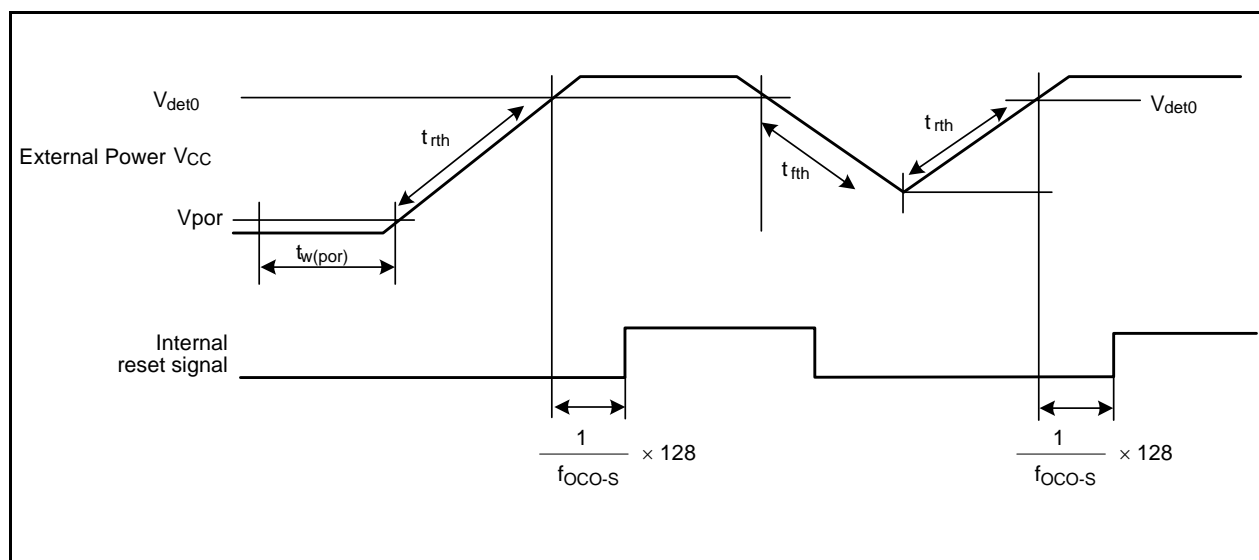
Table 5.60 Power-On Reset Circuit

The measurement condition is $T_{opr} = -40^{\circ}\text{C}$ to 125°C , unless otherwise specified.

Symbol	Parameter	Condition	Standard			Unit
			Min.	Typ.	Max.	
t_{rth}	External power V_{CC} rise gradient		2.0		50000	mV/ms
t_{fth}	External power V_{CC} fall gradient				50000	mV/ms
V_{por}	Voltage at which power-on reset enabled (1)				0.1	V
$t_{w(por)}$	Hold time at which power-on reset enabled		1.0			ms

Note:

- To use the power-on reset function, enable voltage monitor 0 reset by setting the LVDAS bit in the OFS1 address to 0.

**Figure 5.35 Power-On Reset Circuit Electrical Characteristics****Table 5.61 Power Supply Circuit Timing Characteristics**

Symbol	Parameter	Measuring Condition	Standard			Unit
			Min.	Typ.	Max.	
$t_{d(P-R)}$	Time for internal power supply stabilization during powering-on	$V_{CC} = 3.0\text{ V to }5.5\text{ V}$			5	ms
$t_{d(R-S)}$	STOP release time				300	μs
$t_{d(W-S)}$	Low power mode wait mode release time				300	μs

Note:

- When $V_{CC} = 5\text{ V}$.

K-Version

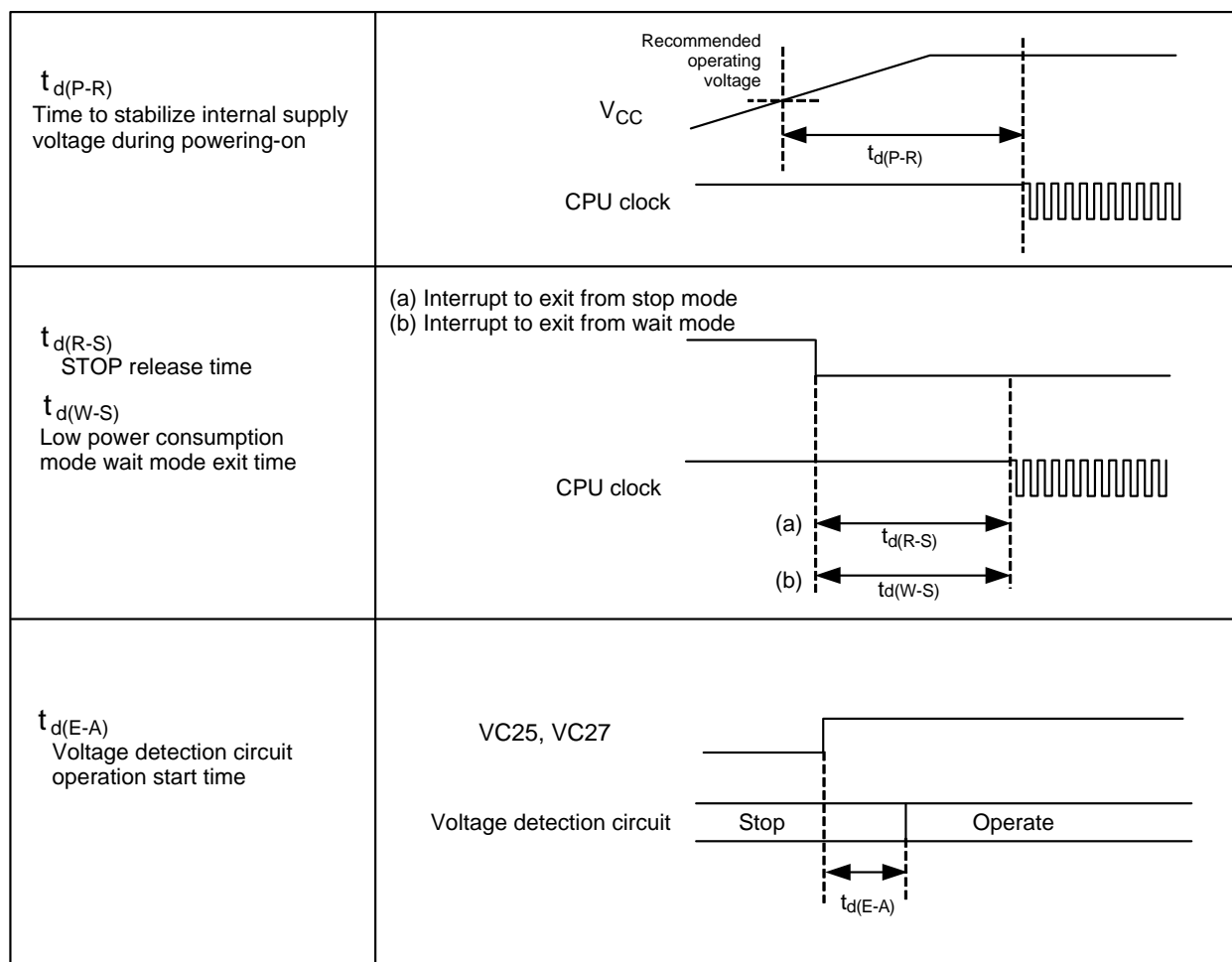


Figure 5.36 Power Supply Circuit Timing Diagram

5.4.8 Oscillator Electrical Characteristics

Table 5.62 On-Chip Oscillator Electrical Characteristics

 $V_{CC} = 3.0$ to 5.5 V, $T_{opr} = -40^{\circ}\text{C}$ to 125°C , unless otherwise specified

Symbol	Characteristic	Value			Unit
		Min.	Typ.	Max.	
f_{OCO-S}	125 kHz on-chip oscillator oscillation frequency	100	125	150	kHz
f_{OCO40M}	40 kHz on-chip oscillator oscillation frequency	32	40	48	MHz
f_{WDT}	Dedicated 125 kHz on-chip oscillator for the watchdog timer oscillation frequency	100	125	150	kHz

5.5 Electrical Characteristics (K-Version, $V_{CC} = 5\text{ V}$)

5.5.1 Electrical Characteristics

K-Version, $V_{CC} = 5\text{ V}$

Table 5.63 Electrical Characteristics (1)

$V_{CC} = 4.2$ to 5.5 V , $V_{SS} = 0\text{ V}$ at $T_{opr} = -40^\circ\text{C}$ to 125°C , $f_{(BCLK)} = 32\text{ MHz}$ unless otherwise specified.

Symbol	Parameter		Measuring Condition	Standard			Unit
				Min.	Typ.	Max.	
V_{OH}	HIGH output voltage	P0_0 to P0_7, P1_0 to P1_7, P2_0 to P2_7, P3_0 to P3_7, P4_0 to P4_7, P5_0 to P5_7, P6_0 to P6_7, P7_0 to P7_7, P8_0 to P8_4, P8_6 to P8_7, P9_0 to P9_7, P10_0 to P10_7	$I_{OH} = -5\text{ mA}$	$V_{CC}-2.0$		V_{CC}	V
V_{OH}	HIGH output voltage	P0_0 to P0_7, P1_0 to P1_7, P2_0 to P2_7, P3_0 to P3_7, P4_0 to P4_7, P5_0 to P5_7, P6_0 to P6_7, P7_0 to P7_7, P8_0 to P8_4, P8_6 to P8_7, P9_0 to P9_7, P10_0 to P10_7	$I_{OH} = -200\text{ }\mu\text{A}$	$V_{CC}-0.3$		V_{CC}	V
V_{OH}	HIGH output voltage	XOUT	HIGH POWER	$I_{OH} = -1\text{ mA}$	$V_{CC}-2.0$	V_{CC}	V
			LOW POWER	$I_{OH} = -0.5\text{ mA}$	$V_{CC}-2.0$	V_{CC}	V
	HIGH output voltage	XCOUT	HIGH POWER	With no load applied		2.5	V
			LOW POWER	With no load applied		1.6	V
V_{OL}	LOW output voltage	P0_0 to P0_7, P1_0 to P1_7, P2_0 to P2_7, P3_0 to P3_7, P4_0 to P4_7, P5_0 to P5_7, P6_0 to P6_7, P7_0 to P7_7, P8_0 to P8_7, P9_0 to P9_7, P10_0 to P10_7	$I_{OL} = 5\text{ mA}$			2.0	V
V_{OL}	LOW output voltage	P0_0 to P0_7, P1_0 to P1_7, P2_0 to P2_7, P3_0 to P3_7, P4_0 to P4_7, P5_0 to P5_7, P6_0 to P6_7, P7_0 to P7_7, P8_0 to P8_7, P9_0 to P9_7, P10_0 to P10_7	$I_{OL} = 200\text{ }\mu\text{A}$			0.45	V
V_{OL}	LOW output voltage	XOUT	HIGH POWER	$I_{OL} = 1\text{ mA}$		2.0	V
			LOW POWER	$I_{OL} = 0.5\text{ mA}$		2.0	V
	LOW output voltage	XCOUT	HIGH POWER	With no load applied		0	V
			LOW POWER	With no load applied		0	V
$V_{T+}-V_{T-}$	Hysteresis	TA0IN to TA4IN, TB0IN to TB5IN, INT0 to INT7, NMI, ADTRG, CTS0 to CTS3, SCL2, SDA2, CLK0 to CLK4, TA0OUT to TA4OUT, KI0 to KI3, RXD0 to RXD4, ZP, IDU, IDW, IDV, SD, INPC1_0 to INPC1_7, SSI0, SSSCK0, SCS0, LIN0IN, CRX0, CRX1		0.2		$0.4V_{CC}$	V
$V_{T+}-V_{T-}$	Hysteresis	RESET		0.2		2.5	V
$V_{T+}-V_{T-}$	Hysteresis	XIN		0.2		0.8	V
I_{IH}	HIGH input current	P0_0 to P0_7, P1_0 to P1_7, P2_0 to P2_7, P3_0 to P3_7, P4_0 to P4_7, P5_0 to P5_7, P6_0 to P6_7, P7_0 to P7_7, P8_0 to P8_7, P9_0 to P9_7, P10_0 to P10_7 XIN, RESET, CNVSS	$V_I = 5\text{ V}$			5.0	μA
I_{IL}	LOW input current	P0_0 to P0_7, P1_0 to P1_7, P2_0 to P2_7, P3_0 to P3_7, P4_0 to P4_7, P5_0 to P5_7, P6_0 to P6_7, P7_0 to P7_7, P8_0 to P8_7, P9_0 to P9_7, P10_0 to P10_7 XIN, RESET, CNVSS	$V_I = 0\text{ V}$			-5.0	μA
R_{PULLUP}	Pull-up resistance	P0_0 to P0_7, P1_0 to P1_7, P2_0 to P2_7, P3_0 to P3_7, P4_0 to P4_7, P5_0 to P5_7, P6_0 to P6_7, P7_0 to P7_7, P8_0 to P8_4, P8_6 to P8_7, P9_0 to P9_7, P10_0 to P10_7	$V_I = 0\text{ V}$	30	50	170	$\text{k}\Omega$
R_{FXIN}	Feedback resistance	XIN			1.5		$\text{M}\Omega$
R_{FXCIN}	Feedback resistance	XCIN			15		$\text{M}\Omega$
V_{RAM}	RAM retention voltage		At stop mode	2.0			V

K-Version, $V_{CC} = 5\text{ V}$ **Table 5.64 Electrical Characteristics (2)** $T_{opr} = -40^{\circ}\text{C}$ to 125°C unless otherwise specified.

Symbol	Parameter	Measuring Condition	Standard			Unit	
			Min.	Typ.	Max.		
I_{CC}	Power supply current ($V_{CC} = 4.2\text{ V}$ to 5.5 V) In single-chip mode, the output pins are open and other pins are V_{SS}	High speed mode	$f_{(BCLK)} = 32\text{ MHz}$, XIN = 8 MHz (square wave), PLL multiply-by-8 125 kHz on-chip oscillator operating		25	45	mA
			$f_{(BCLK)} = 20\text{ MHz}$, XIN = 20 MHz (square wave), 125 kHz on-chip oscillator operating		21	39	mA
			$f_{(BCLK)} = 16\text{ MHz}$, XIN = 16 MHz (square wave), 125 kHz on-chip oscillator operating		17		mA
		40 MHz on-chip oscillator mode	Main clock stopped 40 MHz on-chip oscillator operating 125 kHz on-chip oscillator operating No division		21	39	mA
			Main clock stopped 40 MHz on-chip oscillator operating 125 kHz on-chip oscillator operating Divide-by-8		6		mA
		125 kHz on-chip oscillator mode	Main clock stopped 40 MHz on-chip oscillator stopped 125 kHz on-chip oscillator operating Divide-by-8 FMR22 = FMR23 = 1 (Low-current consumption read mode)		190	580	μA
		Low power mode	$f_{(BCLK)} = 32\text{ kHz}$ On Flash memory ⁽²⁾ FMR22 = FMR23 = 1 (Low-current consumption read mode)		200		μA
		Wait mode	Main clock stopped 40 MHz on-chip oscillator stopped 125 kHz on-chip oscillator operating Peripheral clock operating $T_{opr} = 25^{\circ}\text{C}$		25		μA
			Main clock stopped 40 MHz on-chip oscillator stopped 125 kHz on-chip oscillator operating Peripheral clock operating $T_{opr} = 105^{\circ}\text{C}$		85		μA
			Main clock stopped 40 MHz on-chip oscillator stopped 125 kHz on-chip oscillator operating Peripheral clock operating $T_{opr} = 125^{\circ}\text{C}$		125		μA
		Stop mode	$T_{opr} = 25^{\circ}\text{C}$		3	15	μA
			$T_{opr} = 105^{\circ}\text{C}$		60		μA
			$T_{opr} = 125^{\circ}\text{C}$		100		μA
During flash memory program	$f_{(BCLK)} = 10\text{ MHz}$, PM17 = 1 (one wait) $V_{CC} = 5.0\text{ V}$		20.0		mA		
During flash memory erase	$f_{(BCLK)} = 10\text{ MHz}$, PM17 = 1 (one wait) $V_{CC} = 5.0\text{ V}$		30.0		mA		
I_{det2}	Low voltage detection dissipation current		3		μA		
I_{det0}	Reset area detection dissipation current		6		μA		

Note:

1. This indicates the memory in which the program to be executed exists.

K-Version, $V_{CC} = 5\text{ V}$

5.5.2 Timing Requirements (Peripheral Functions and Others)

($V_{CC} = 5\text{ V}$, $V_{SS} = 0\text{ V}$, at $T_{opr} = -40^{\circ}\text{C}$ to 125°C unless otherwise specified)

5.5.2.1 Reset Input ($\overline{\text{RESET}}$ Input)

Table 5.65 Reset Input ($\overline{\text{RESET}}$ Input)

Symbol	Parameter	Standard		Unit
		Min.	Max.	
$t_{w(\text{RSTL})}$	$\overline{\text{RESET}}$ input low pulse width	10		μs

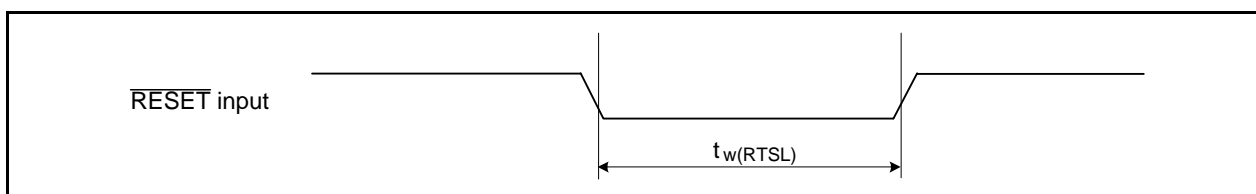


Figure 5.37 Reset Input ($\overline{\text{RESET}}$ Input)

5.5.2.2 External Clock Input

Table 5.66 External Clock Input (XIN input) (1)

Symbol	Parameter	Standard		Unit
		Min.	Max.	
t_c	External clock input cycle time	50		ns
$t_{w(\text{H})}$	External clock input high pulse width	20		ns
$t_{w(\text{L})}$	External clock input low pulse width	20		ns
t_r	External clock rise time		9	ns
t_f	External clock fall time		9	ns

Note:

- The condition is $V_{CC} = 5.0\text{V}$.

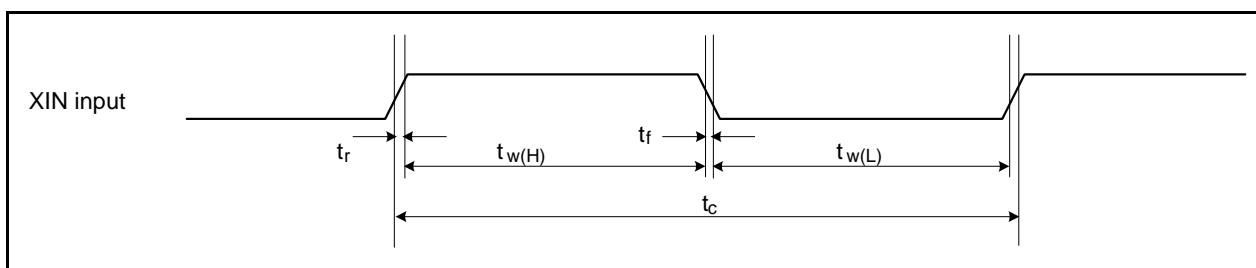


Figure 5.38 External Clock Input (XIN Input)

K-Version, $V_{CC} = 5\text{ V}$ **Timing Requirements** $(V_{CC} = 5\text{ V}, V_{SS} = 0\text{ V}, \text{ at } T_{opr} = -40^{\circ}\text{C to } 125^{\circ}\text{C unless otherwise specified})$ **5.5.2.3 Timer A Input****Table 5.67 Timer A Input (Counter Input in Event Counter Mode)**

Symbol	Parameter	Standard		Unit
		Min.	Max.	
$t_{c(TA)}$	TAiIN input cycle time	100		ns
$t_{w(TAH)}$	TAiIN input high pulse width	40		ns
$t_{w(TAL)}$	TAiIN input low pulse width	40		ns

Table 5.68 Timer A Input (Gating Input in Timer Mode)

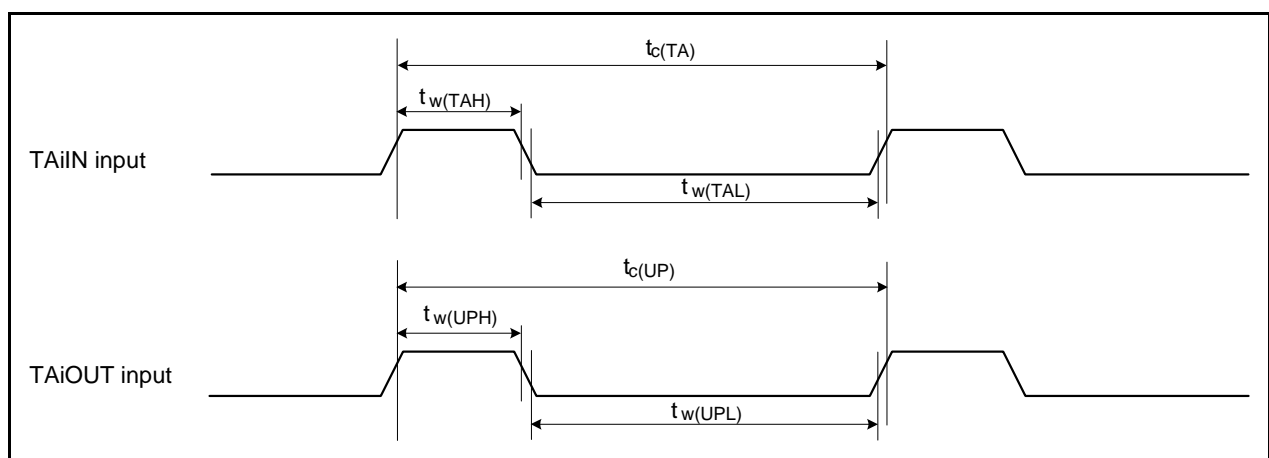
Symbol	Parameter	Standard		Unit
		Min.	Max.	
$t_{c(TA)}$	TAiIN input cycle time	400		ns
$t_{w(TAH)}$	TAiIN input high pulse width	200		ns
$t_{w(TAL)}$	TAiIN input low pulse width	200		ns

Table 5.69 Timer A Input (External Trigger Input in One-Shot Timer Mode)

Symbol	Parameter	Standard		Unit
		Min.	Max.	
$t_{c(TA)}$	TAiIN input cycle time	200		ns
$t_{w(TAH)}$	TAiIN input high pulse width	100		ns
$t_{w(TAL)}$	TAiIN input low pulse width	100		ns

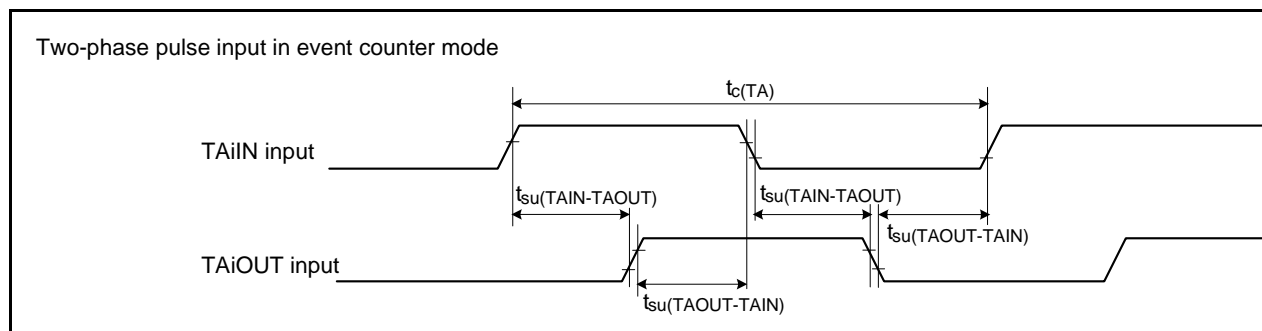
Table 5.70 Timer A Input (External Trigger Input in PWM Mode, Programmable Output Mode)

Symbol	Parameter	Standard		Unit
		Min.	Max.	
$t_{w(TAH)}$	TAiIN input high pulse width	100		ns
$t_{w(TAL)}$	TAiIN input low pulse width	100		ns

**Figure 5.39 Timer A Input**

K-Version, $V_{CC} = 5\text{ V}$ **Timing Requirements** $(V_{CC} = 5\text{ V}, V_{SS} = 0\text{ V}, \text{ at } T_{opr} = -40^{\circ}\text{C to } 125^{\circ}\text{C unless otherwise specified})$ **Table 5.71 Timer A Input (Two-Phase Pulse Input in Event Counter Mode)**

Symbol	Parameter	Standard		Unit
		Min.	Max.	
$t_{c(TA)}$	TAiIN input cycle time	800		ns
$t_{su(TAIN-TAOUT)}$	TAiOUT input setup time	200		ns
$t_{su(TAOUT-TAIN)}$	TAiIN input setup time	200		ns

**Figure 5.40 Timer A Input (Two-Phase Pulse Input in Event Counter Mode)**

K-Version, $V_{CC} = 5\text{ V}$ **Timing Requirements** $(V_{CC} = 5\text{ V}, V_{SS} = 0\text{ V}, \text{ at } T_{opr} = -40^{\circ}\text{C to } 125^{\circ}\text{C unless otherwise specified})$ **5.5.2.4 Timer B Input****Table 5.72 Timer B Input (Counter Input in Event Counter Mode)**

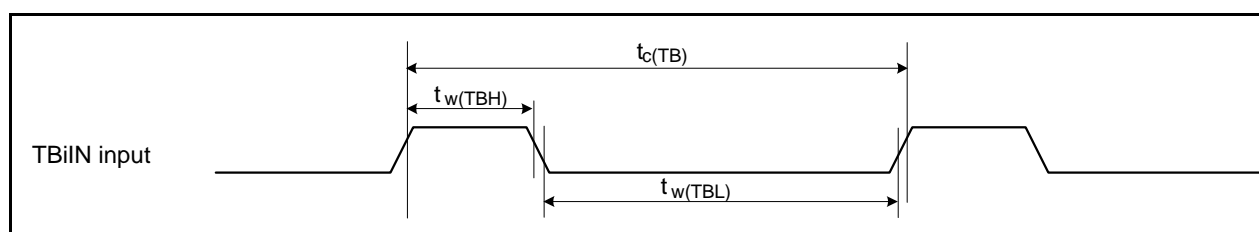
Symbol	Parameter	Standard		Unit
		Min.	Max.	
$t_{c(TB)}$	TBiIN input cycle time (counted on one edge)	100		ns
$t_{w(TBH)}$	TBiIN input high pulse width (counted on one edge)	40		ns
$t_{w(TBL)}$	TBiIN input low pulse width (counted on one edge)	40		ns
$t_{c(TB)}$	TBiIN input cycle time (counted on both edges)	200		ns
$t_{w(TBH)}$	TBiIN input high pulse width (counted on both edges)	80		ns
$t_{w(TBL)}$	TBiIN Input low pulse width (counted on both edges)	80		ns

Table 5.73 Timer B Input (Pulse Period Measurement Mode)

Symbol	Parameter	Standard		Unit
		Min.	Max.	
$t_{c(TB)}$	TBiIN input cycle time	400		ns
$t_{w(TBH)}$	TBiIN input high pulse width	200		ns
$t_{w(TBL)}$	TBiIN input low pulse width	200		ns

Table 5.74 Timer B Input (Pulse Width Measurement Mode)

Symbol	Parameter	Standard		Unit
		Min.	Max.	
$t_{c(TB)}$	TBiIN input cycle time	400		ns
$t_{w(TBH)}$	TBiIN input high pulse width	200		ns
$t_{w(TBL)}$	TBiIN input low pulse width	200		ns

**Figure 5.41 Timer B Input**

K-Version, $V_{CC} = 5\text{ V}$

Timing Requirements

($V_{CC} = 5\text{ V}$, $V_{SS} = 0\text{ V}$, at $T_{opr} = -40^{\circ}\text{C}$ to 125°C unless otherwise specified)

5.5.2.5 Timer S Input

Table 5.75 Timer S Input (Two-Phase Pulse Input in Two-Phase Pulse Signal Processing Mode)

Symbol	Parameter	Standard		Unit
		Min.	Max.	
$t_w(\text{TSH})$	TSUDA, TSUDB input high pulse width	2		μS
$t_w(\text{TSL})$	TSUDA, TSUDB input low pulse width	2		μS
$t_{su}(\text{TSUDA-TSUDB})$	TSUDB input setup time	1		μS
$t_{su}(\text{TSUDB-TSUDA})$	TSUDA input setup time	1		μS

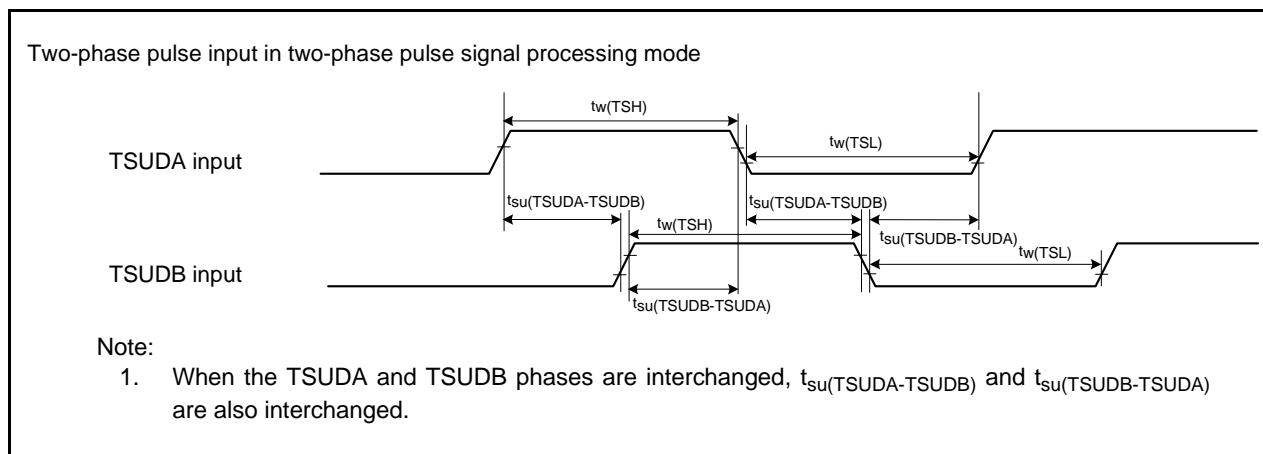


Figure 5.42 Timer S Input (Two-Phase Pulse Input in Two-Phase Pulse Signal Processing Mode)

K-Version, $V_{CC} = 5\text{ V}$

Timing Requirements

($V_{CC} = 5\text{ V}$, $V_{SS} = 0\text{ V}$, at $T_{opr} = -40^{\circ}\text{C}$ to 125°C unless otherwise specified)

5.5.2.6 Serial Interface

Table 5.76 Serial Interface

Symbol	Parameter	Standard		Unit
		Min.	Max.	
$t_{c(CK)}$	CLKi input cycle time	200		ns
$t_{w(CKH)}$	CLKi input high pulse width	100		ns
$t_{w(CKL)}$	CLKi input low pulse width	100		ns
$t_{d(C-Q)}$	TXDi output delay time		80	ns
$t_{h(C-Q)}$	TXDi hold time	0		ns
$t_{su(D-C)}$	RXDi input setup time	70		ns
$t_{h(C-D)}$	RXDi input hold time	90		ns

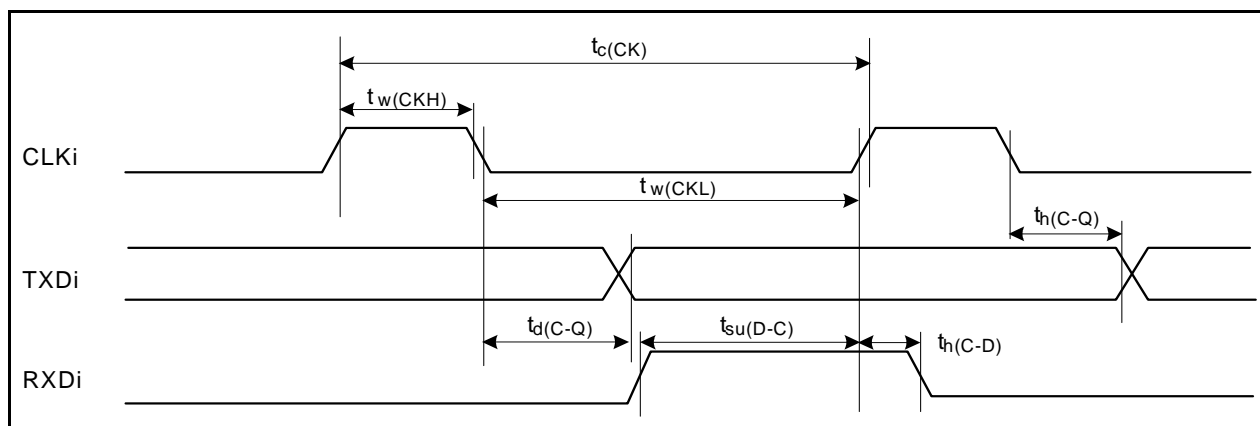


Figure 5.43 Serial Interface

5.5.2.7 External Interrupt \overline{INTi} Input

Table 5.77 External Interrupt \overline{INTi} Input

Symbol	Parameter	Standard		Unit
		Min.	Max.	
$t_{w(INH)}$	\overline{INTi} input high pulse width	250		ns
$t_{w(INL)}$	\overline{INTi} input low pulse width	250		ns

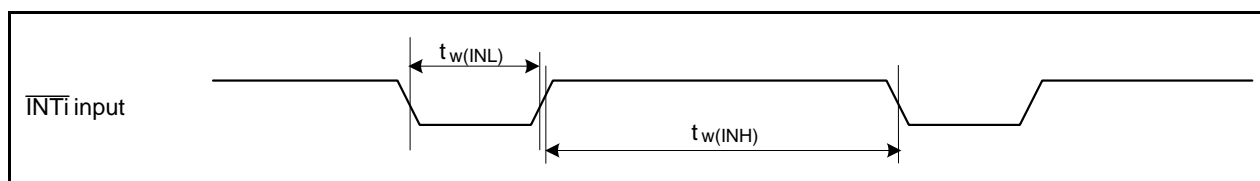


Figure 5.44 External Interrupt \overline{INTi} Input

K-Version, $V_{CC} = 5\text{ V}$

Timing Requirements

($V_{CC} = 5\text{ V}$, $V_{SS} = 0\text{ V}$, at $T_{opr} = -40^{\circ}\text{C}$ to 125°C unless otherwise specified)

5.5.2.8 Multi-master I²C-bus

Table 5.78 Multi-master I²C-bus

Symbol	Parameter	Standard Clock Mode		Fast-mode		Unit
		Min.	Max.	Min.	Max.	
t_{BUF}	Bus free time	4.7		1.3		μs
$t_{HD;STA}$	Hold time in start condition	4.0		0.6		μs
t_{LOW}	Hold time in SCL clock 0 status	4.7		1.3		μs
t_R	SCL, SDA signals' rising time		1000	$20 + 0.1 C_b$	300	ns
$t_{HD;DAT}$	Data hold time	0		0	0.9	μs
t_{HIGH}	Hold time in SCL clock 1 status	4.0		0.6		μs
t_F	SCL, SDA signals' falling time		300	$20 + 0.1 C_b$	300	ns
$t_{su;DAT}$	Data setup time	250		100		ns
$t_{su;STA}$	Setup time in restart condition	4.7		0.6		μs
$t_{su;STO}$	Stop condition setup time	4.0		0.6		μs

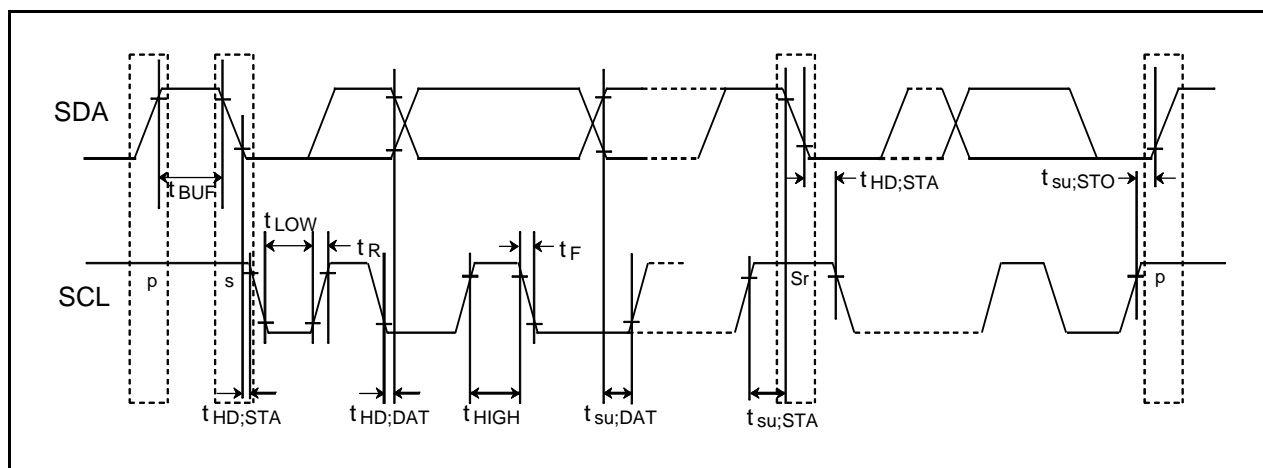


Figure 5.45 Multi-master I²C-bus

K-Version, $V_{CC} = 5\text{ V}$ **Timing Requirements** $(V_{CC} = 5\text{ V}, V_{SS} = 0\text{ V}, \text{ at } T_{opr} = -40^{\circ}\text{C to } 125^{\circ}\text{C unless otherwise specified})$ **5.5.2.9 Serial bus interface****Table 5.79 Serial Bus Interface**

Symbol	Characteristic		Measurement condition	Standard			Unit
				Min.	Typ.	Max.	
$t_{c(SSCK)}$	SSCK clock cycle time			250			ns
$t_{w(SSCKH)}$	SSCK clock high pulse width			0.4		0.6	$t_{c(SSCK)}$
$t_{w(SSCKL)}$	SSCK clock low pulse width			0.4		0.6	$t_{c(SSCK)}$
$t_{r(SSCK)}$	SSCK clock rising time	Master				1	$t_{CYC}^{(1)}$
		Slave				1	μs
$t_{f(SSCK)}$	SSCK clock falling time	Master				1	$t_{CYC}^{(1)}$
		Slave				1	μs
$t_{su(SSIO-SSCK)}$	SSO, SSI data input setup time			100			ns
$t_{h(SSCK-SSIO)}$	SSO, SSI data input hold time			1			$t_{CYC}^{(1)}$
$t_{su(SCS-SSCK)}$	\overline{SCS} setup time	Slave		$1 t_{CYC} + 50^{(1)}$			ns
$t_{h(SSCK-SCS)}$	\overline{SCS} hold time	Slave		$1 t_{CYC} + 50^{(1)}$			ns
$t_{d(SSCK-SSIO)}$	SSO, SSI data output delay time	Master				1	$t_{CYC}^{(1)}$
		Slave				80	ns
$t_{en(SCS-SSI)}$	SSI output enable time		$3.0\text{ V} \leq V_{CC} \leq 5.5\text{ V}$			$1.5 t_{CYC} + 100^{(1)}$	ns
$t_{dis(SCS-SSI)}$	SSI output disable time		$3.0\text{ V} \leq V_{CC} \leq 5.5\text{ V}$			$1.5 t_{CYC} + 100^{(1)}$	ns

Note:

1. $1 t_{CYC}$ is $1/f_1$ (s).

K-Version, $V_{CC} = 5\text{ V}$

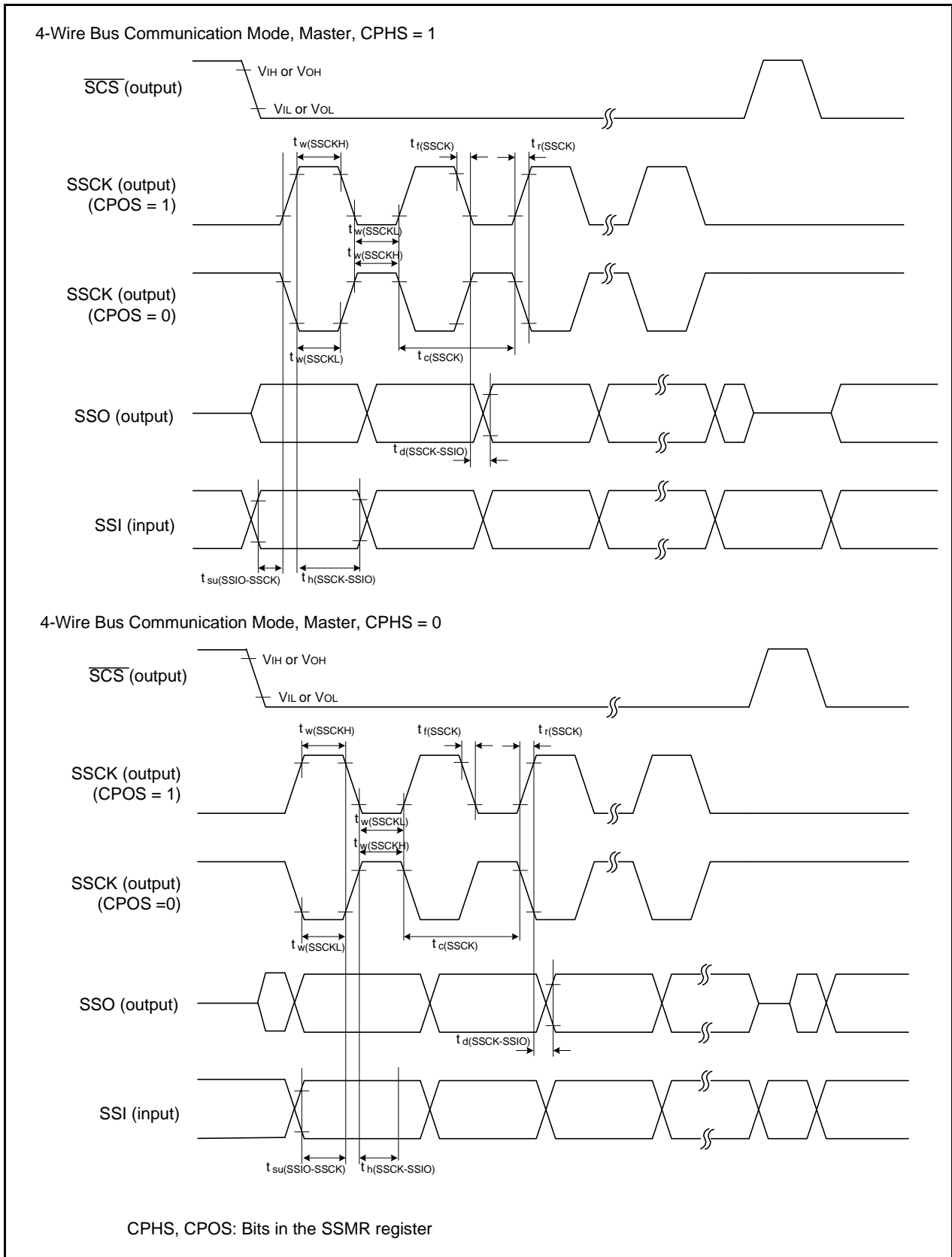


Figure 5.46 I/O Timing of Serial Bus Interface (Master)

K-Version, $V_{CC} = 5\text{ V}$

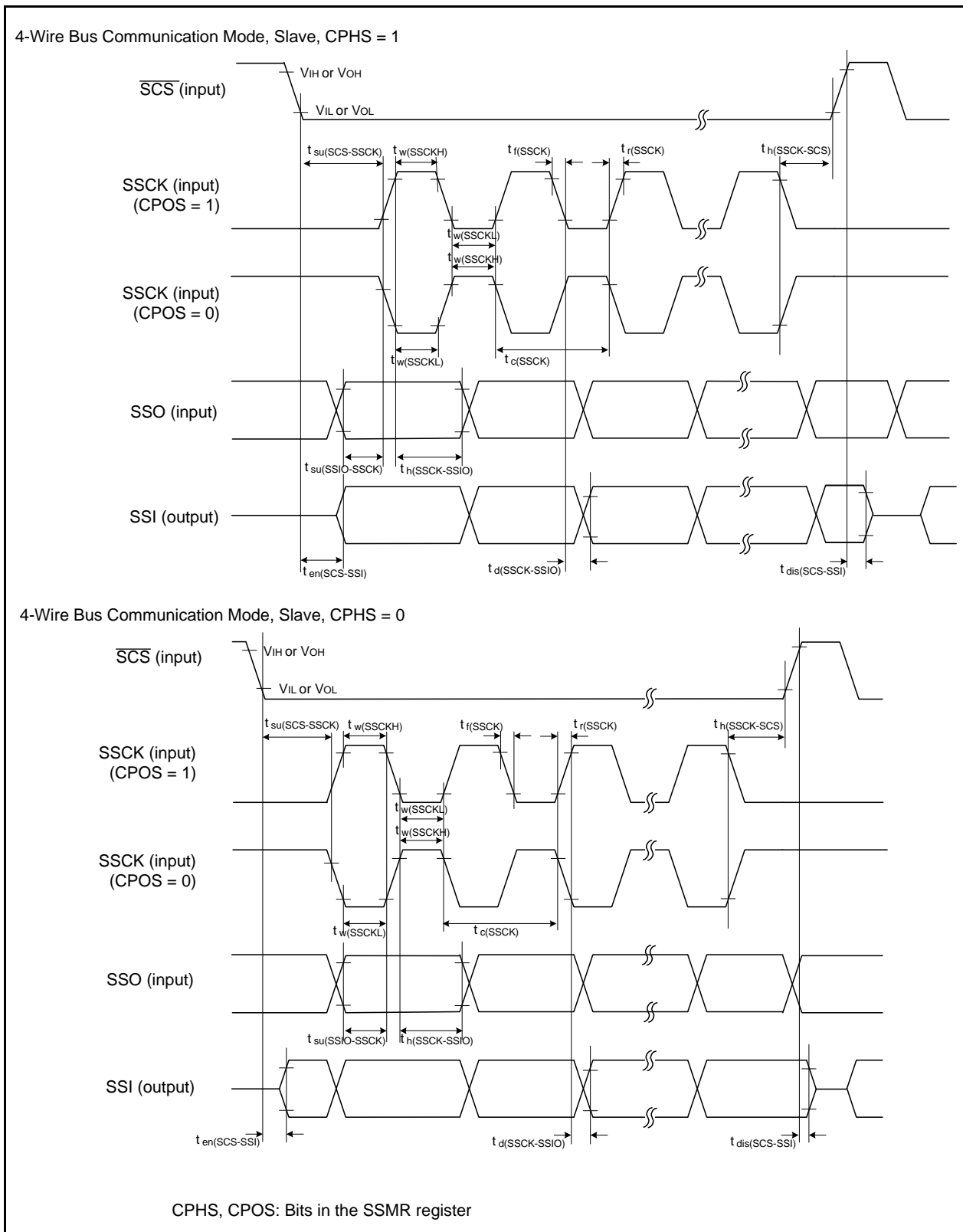


Figure 5.47 I/O Timing of Serial Bus Interface (Slave)

K-Version, $V_{CC} = 5\text{ V}$

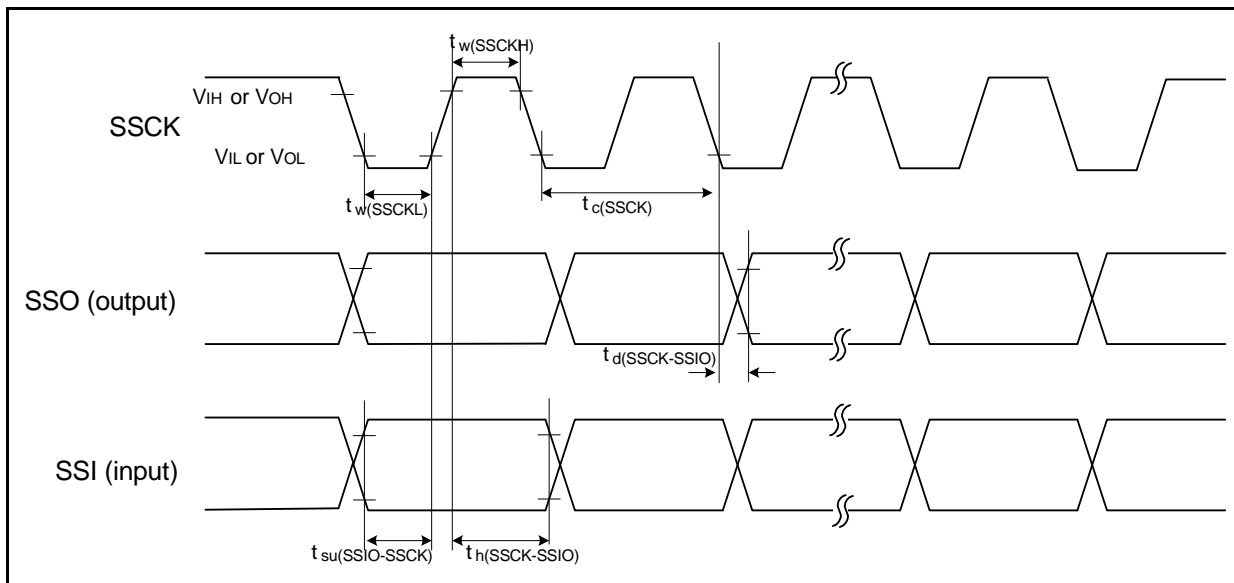


Figure 5.48 I/O Timing of Serial Bus Interface (Synchronous Communication Mode)

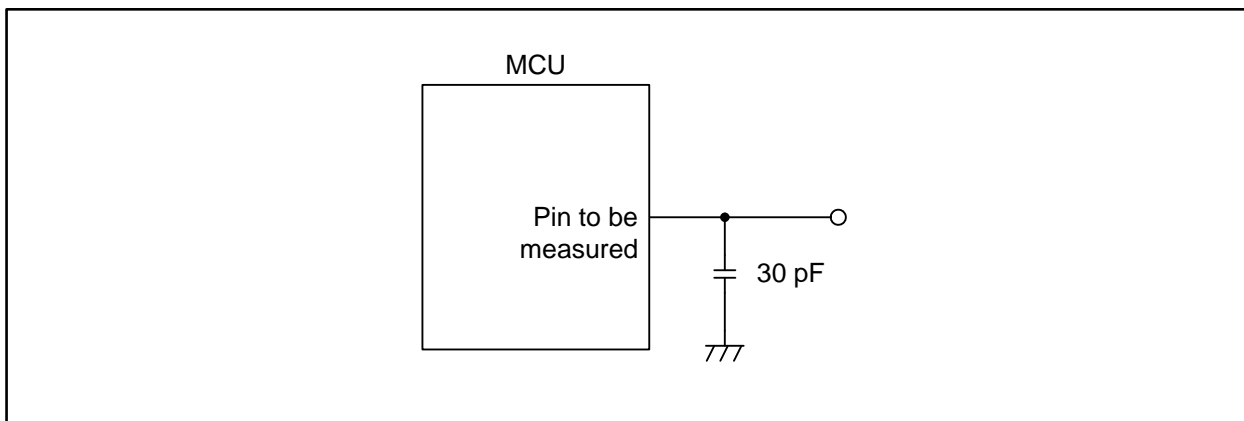


Figure 5.49 Switching Characteristic Measurement Circuit

5.6 Electrical Characteristics (K-Version, $V_{CC} = 3\text{ V}$)

5.6.1 Electrical Characteristics

K-Version, $V_{CC} = 3\text{ V}$
Table 5.80 Electrical Characteristics (1)
 $V_{CC} = 3.0\text{ to }3.6\text{ V}$, $V_{SS} = 0\text{ V}$ at $T_{opr} = -40^\circ\text{C to }125^\circ\text{C}$, $f_{(BCLK)} = 32\text{ MHz}$ unless otherwise specified.

Symbol	Parameter		Measuring Condition	Standard			Unit
				Min.	Typ.	Max.	
V_{OH}	HIGH output voltage	P0_0 to P0_7, P1_0 to P1_7, P2_0 to P2_7, P3_0 to P3_7, P4_0 to P4_7, P5_0 to P5_7, P6_0 to P6_7, P7_0 to P7_7, P8_0 to P8_4, P8_6 to P8_7, P9_0 to P9_7, P10_0 to P10_7	$I_{OH} = -1\text{ mA}$	$V_{CC}-0.5$		V_{CC}	V
V_{OH}	HIGH output voltage	XOUT	HIGH POWER	$I_{OH} = -0.1\text{ mA}$	$V_{CC}-0.5$	V_{CC}	V
			LOW POWER	$I_{OH} = -50\text{ }\mu\text{A}$	$V_{CC}-0.5$	V_{CC}	
	HIGH output voltage	XCOUT	HIGH POWER	With no load applied		2.5	V
			LOW POWER	With no load applied		1.6	
V_{OL}	LOW output voltage	P0_0 to P0_7, P1_0 to P1_7, P2_0 to P2_7, P3_0 to P3_7, P4_0 to P4_7, P5_0 to P5_7, P6_0 to P6_7, P7_0 to P7_7, P8_0 to P8_7, P9_0 to P9_7, P10_0 to P10_7	$I_{OL} = 1\text{ mA}$			0.5	V
V_{OL}	LOW output voltage	XOUT	HIGH POWER	$I_{OL} = 0.1\text{ mA}$		0.5	V
			LOW POWER	$I_{OL} = 50\text{ }\mu\text{A}$		0.5	
	LOW output voltage	XCOUT	HIGH POWER	With no load applied		0	V
			LOW POWER	With no load applied		0	
V_{T+}, V_{T-}	Hysteresis	TA0IN to TA4IN, TB0IN to TB5IN, INT0 to INT7, NMI, ADTRG, CTS0 to CTS3, SCL2, SDA2, CLK0 to CLK4, TA0OUT to TA4OUT, K10 to K13, RXD0 to RXD4, ZP, IDU, IDW, IDV, SD, INPC1_0 to INPC1_7, SSI0, SSCK0, SCS0, LIN0IN, CRX0, CRX1				$0.4V_{CC}$	V
V_{T+}, V_{T-}	Hysteresis	RESET				1.8	V
V_{T+}, V_{T-}	Hysteresis	XIN				0.8	V
I_{IH}	HIGH input current	P0_0 to P0_7, P1_0 to P1_7, P2_0 to P2_7, P3_0 to P3_7, P4_0 to P4_7, P5_0 to P5_7, P6_0 to P6_7, P7_0 to P7_7, P8_0 to P8_7, P9_0 to P9_7, P10_0 to P10_7 XIN, RESET, CNVSS	$V_I = 3\text{ V}$			4.0	μA
I_{IL}	LOW input current	P0_0 to P0_7, P1_0 to P1_7, P2_0 to P2_7, P3_0 to P3_7, P4_0 to P4_7, P5_0 to P5_7, P6_0 to P6_7, P7_0 to P7_7, P8_0 to P8_7, P9_0 to P9_7, P10_0 to P10_7 XIN, RESET, CNVSS	$V_I = 0\text{ V}$			-4.0	μA
R_{PULLUP}	Pull-up resistance	P0_0 to P0_7, P1_0 to P1_7, P2_0 to P2_7, P3_0 to P3_7, P4_0 to P4_7, P5_0 to P5_7, P6_0 to P6_7, P7_0 to P7_7, P8_0 to P8_4, P8_6 to P8_7, P9_0 to P9_7, P10_0 to P10_7	$V_I = 0\text{ V}$	50	100	500	$\text{k}\Omega$
R_{FXIN}	Feedback resistance	XIN			3.0		$\text{M}\Omega$
R_{FXCIN}	Feedback resistance	XCIN			25		$\text{M}\Omega$
V_{RAM}	RAM retention voltage		At stop mode	2.0			V

K-Version, $V_{CC} = 3\text{ V}$ **Table 5.81 Electrical Characteristics (2)** $T_{opr} = -40^{\circ}\text{C}$ to 125°C unless otherwise specified.

Symbol	Parameter	Measuring Condition	Standard			Unit	
			Min.	Typ.	Max.		
I_{CC}	Power supply current ($V_{CC} = 3.0\text{ V}$ to 3.6 V) In single-chip mode, the output pins are open and other pins are V_{SS}	High speed mode	$f_{(BCLK)} = 32\text{ MHz}$, XIN = 8 MHz (square wave), PLL multiply-by-8 125 kHz on-chip oscillator operating		23	43	mA
			$f_{(BCLK)} = 20\text{ MHz}$, XIN = 20 MHz (square wave), 125 kHz on-chip oscillator operating		20	38	mA
			$f_{(BCLK)} = 16\text{ MHz}$, XIN = 16 MHz (square wave), 125 kHz on-chip oscillator operating		16		mA
		40 MHz on-chip oscillator mode	Main clock stopped 40 MHz on-chip oscillator operating 125 kHz on-chip oscillator operating No division		20	38	mA
			Main clock stopped 40 MHz on-chip oscillator operating 125 kHz on-chip oscillator operating Divide-by-8		6		mA
		125 kHz on-chip oscillator mode	Main clock stopped 40 MHz on-chip oscillator stopped 125 kHz on-chip oscillator operating Divide-by-8 FMR22 = FMR23 = 1 (Low-current consumption read mode)		190	580	μA
		Low power mode	$f_{(BCLK)} = 32\text{ kHz}$ On ROM FMR22 = FMR23 = 1 (Low-current consumption read mode)		200		μA
		Wait mode	Main clock stopped 40 MHz on-chip oscillator stopped 125 kHz on-chip oscillator operating Peripheral clock operating $T_{opr} = 25^{\circ}\text{C}$		25		μA
			Main clock stopped 40 MHz on-chip oscillator stopped 125 kHz on-chip oscillator operating Peripheral clock operating $T_{opr} = 105^{\circ}\text{C}$		85		μA
			Main clock stopped 40 MHz on-chip oscillator stopped 125 kHz on-chip oscillator operating Peripheral clock operating $T_{opr} = 125^{\circ}\text{C}$		125		μA
		Stop mode	$T_{opr} = 25^{\circ}\text{C}$		2	12	μA
			$T_{opr} = 105^{\circ}\text{C}$		60		μA
			$T_{opr} = 125^{\circ}\text{C}$		100		μA
		During flash memory program	$f_{(BCLK)} = 10\text{ MHz}$, PM17 = 1 (one wait) $V_{CC} = 3.0\text{ V}$		20.0		mA
During flash memory erase	$f_{(BCLK)} = 10\text{ MHz}$, PM17 = 1 (one wait) $V_{CC} = 3.0\text{ V}$		30.0		mA		
I_{det2}	Low voltage detection dissipation current		3		μA		
I_{det0}	Reset area detection dissipation current		6		μA		

K-Version, $V_{CC} = 3\text{ V}$

5.6.2 Timing Requirements (Peripheral Functions and Others)

($V_{CC} = 3\text{ V}$, $V_{SS} = 0\text{ V}$, at $T_{opr} = -40^{\circ}\text{C}$ to 125°C unless otherwise specified)

5.6.2.1 Reset Input ($\overline{\text{RESET}}$ Input)

Table 5.82 Reset Input ($\overline{\text{RESET}}$ Input)

Symbol	Parameter	Standard		Unit
		Min.	Max.	
$t_{w(\text{RSTL})}$	RESET input low pulse width	10		μs

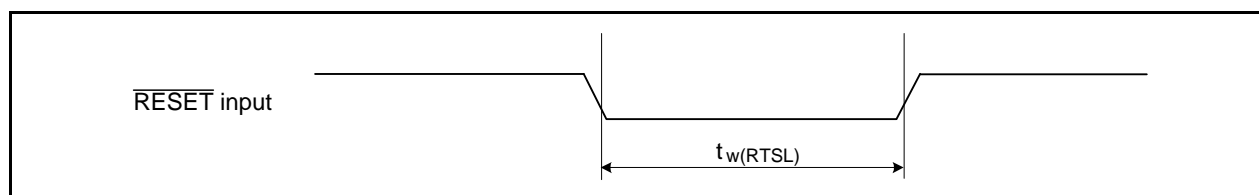


Figure 5.50 Reset Input ($\overline{\text{RESET}}$ Input)

5.6.2.2 External Clock Input

Table 5.83 External Clock Input (XIN input) (1)

Symbol	Parameter	Standard		Unit
		Min.	Max.	
t_c	External clock input cycle time	50		ns
$t_{w(\text{H})}$	External clock input high pulse width	20		ns
$t_{w(\text{L})}$	External clock input low pulse width	20		ns
t_r	External clock rise time		9	ns
t_f	External clock fall time		9	ns

Note:

1. The condition is $V_{CC} = 3.0\text{V}$.

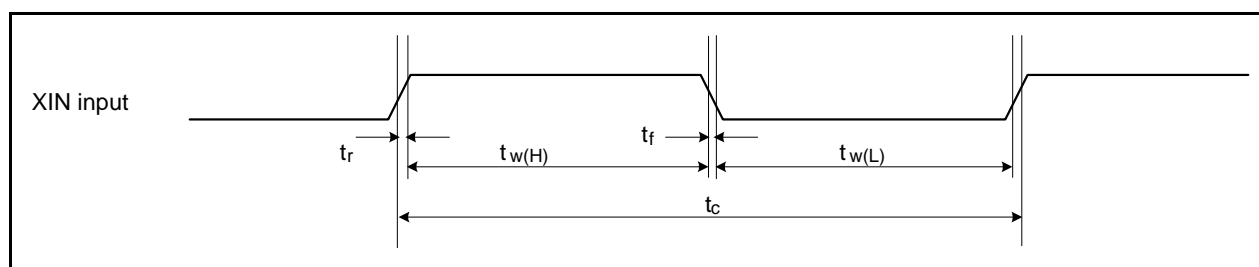


Figure 5.51 External Clock Input (XIN Input)

K-Version, $V_{CC} = 3\text{ V}$ **Timing Requirements** $(V_{CC} = 3\text{ V}, V_{SS} = 0\text{ V}, \text{ at } T_{opr} = -40^{\circ}\text{C to } 125^{\circ}\text{C unless otherwise specified})$ **5.6.2.3 Timer A Input****Table 5.84 Timer A Input (Counter Input in Event Counter Mode)**

Symbol	Parameter	Standard		Unit
		Min.	Max.	
$t_{c(TA)}$	TAiIN input cycle time	150		ns
$t_{w(TAH)}$	TAiIN input high pulse width	60		ns
$t_{w(TAL)}$	TAiIN input low pulse width	60		ns

Table 5.85 Timer A Input (Gating Input in Timer Mode)

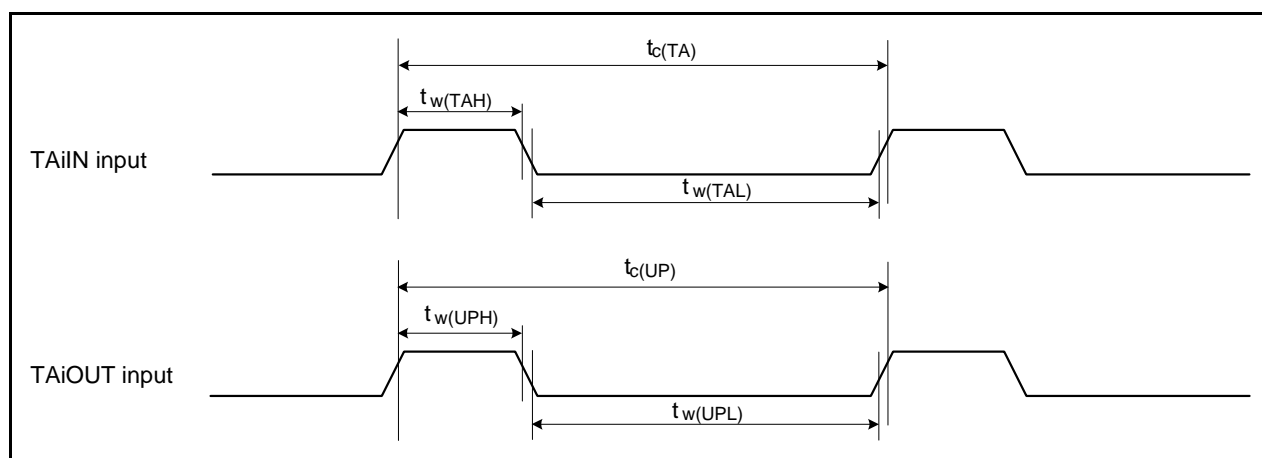
Symbol	Parameter	Standard		Unit
		Min.	Max.	
$t_{c(TA)}$	TAiIN input cycle time	600		ns
$t_{w(TAH)}$	TAiIN input high pulse width	300		ns
$t_{w(TAL)}$	TAiIN input low pulse width	300		ns

Table 5.86 Timer A Input (External Trigger Input in One-Shot Timer Mode)

Symbol	Parameter	Standard		Unit
		Min.	Max.	
$t_{c(TA)}$	TAiIN input cycle time	300		ns
$t_{w(TAH)}$	TAiIN input high pulse width	150		ns
$t_{w(TAL)}$	TAiIN input low pulse width	150		ns

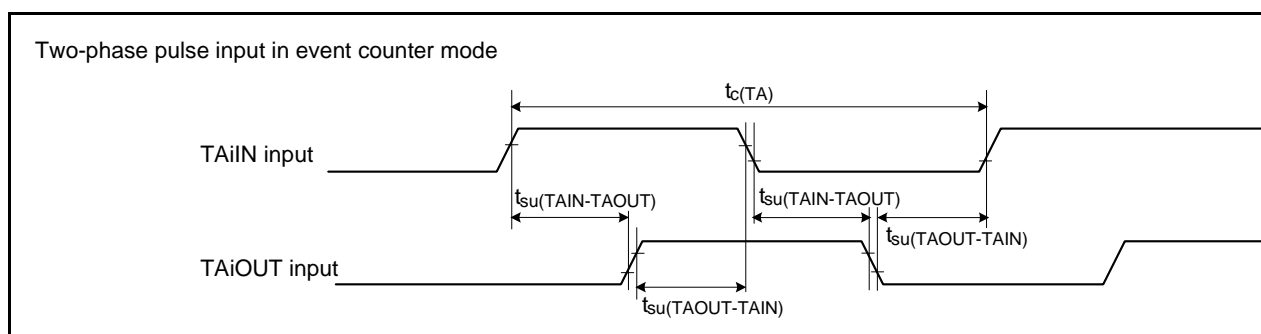
Table 5.87 Timer A Input (External Trigger Input in PWM Mode, Programmable Output Mode)

Symbol	Parameter	Standard		Unit
		Min.	Max.	
$t_{w(TAH)}$	TAiIN input high pulse width	150		ns
$t_{w(TAL)}$	TAiIN input low pulse width	150		ns

**Figure 5.52 Timer A Input**

K-Version, $V_{CC} = 3\text{ V}$ **Timing Requirements** $(V_{CC} = 3\text{ V}, V_{SS} = 0\text{ V}, \text{ at } T_{opr} = -40^{\circ}\text{C to } 125^{\circ}\text{C unless otherwise specified})$ **Table 5.88 Timer A Input (Two-Phase Pulse Input in Event Counter Mode)**

Symbol	Parameter	Standard		Unit
		Min.	Max.	
$t_{c(TA)}$	TAiIN input cycle time	2		μS
$t_{su(TAIN-TAOUT)}$	TAiOUT input setup time	500		ns
$t_{su(TAOUT-TAIN)}$	TAiIN input setup time	500		ns

**Figure 5.53 Timer A Input (Two-Phase Pulse Input in Event Counter Mode)**

K-Version, $V_{CC} = 3\text{ V}$ **Timing Requirements** $(V_{CC} = 3\text{ V}, V_{SS} = 0\text{ V}, \text{ at } T_{opr} = -40^{\circ}\text{C to } 125^{\circ}\text{C unless otherwise specified})$ **5.6.2.4 Timer B Input****Table 5.89 Timer B Input (Counter Input in Event Counter Mode)**

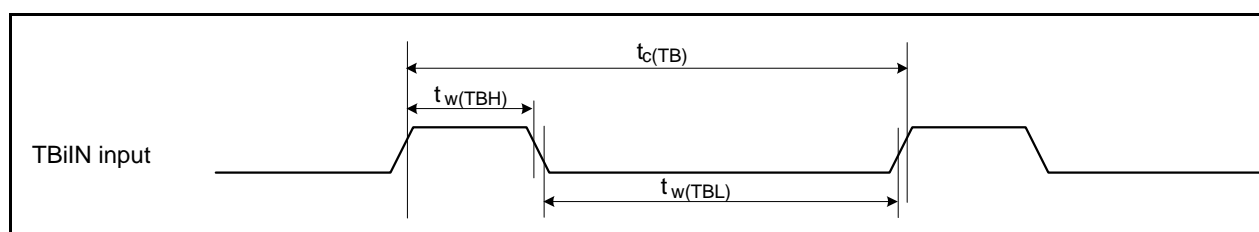
Symbol	Parameter	Standard		Unit
		Min.	Max.	
$t_{c(TB)}$	TBiIN input cycle time (counted on one edge)	150		ns
$t_{w(TBH)}$	TBiIN input high pulse width (counted on one edge)	60		ns
$t_{w(TBL)}$	TBiIN input low pulse width (counted on one edge)	60		ns
$t_{c(TB)}$	TBiIN input cycle time (counted on both edges)	300		ns
$t_{w(TBH)}$	TBiIN input high pulse width (counted on both edges)	120		ns
$t_{w(TBL)}$	TBiIN Input low pulse width (counted on both edges)	120		ns

Table 5.90 Timer B Input (Pulse Period Measurement Mode)

Symbol	Parameter	Standard		Unit
		Min.	Max.	
$t_{c(TB)}$	TBiIN input cycle time	600		ns
$t_{w(TBH)}$	TBiIN input high pulse width	300		ns
$t_{w(TBL)}$	TBiIN input low pulse width	300		ns

Table 5.91 Timer B Input (Pulse Width Measurement Mode)

Symbol	Parameter	Standard		Unit
		Min.	Max.	
$t_{c(TB)}$	TBiIN input cycle time	600		ns
$t_{w(TBH)}$	TBiIN input high pulse width	300		ns
$t_{w(TBL)}$	TBiIN input low pulse width	300		ns

**Figure 5.54 Timer B Input**

K-Version, $V_{CC} = 3\text{ V}$

Timing Requirements

($V_{CC} = 3\text{ V}$, $V_{SS} = 0\text{ V}$, at $T_{opr} = -40^{\circ}\text{C}$ to 125°C unless otherwise specified)

5.6.2.5 Timer S Input

Table 5.92 Timer S Input (Two-Phase Pulse Input in Two-Phase Pulse Signal Processing Mode)

Symbol	Parameter	Standard		Unit
		Min.	Max.	
$t_{w(TSH)}$	TSUDA, TSUDB input high pulse width	2		μS
$t_{w(TSL)}$	TSUDA, TSUDB input low pulse width	2		μS
$t_{su(TSUDA-TSUDB)}$	TSUDB input setup time	1		μS
$t_{su(TSUDB-TSUDA)}$	TSUDA input setup time	1		μS

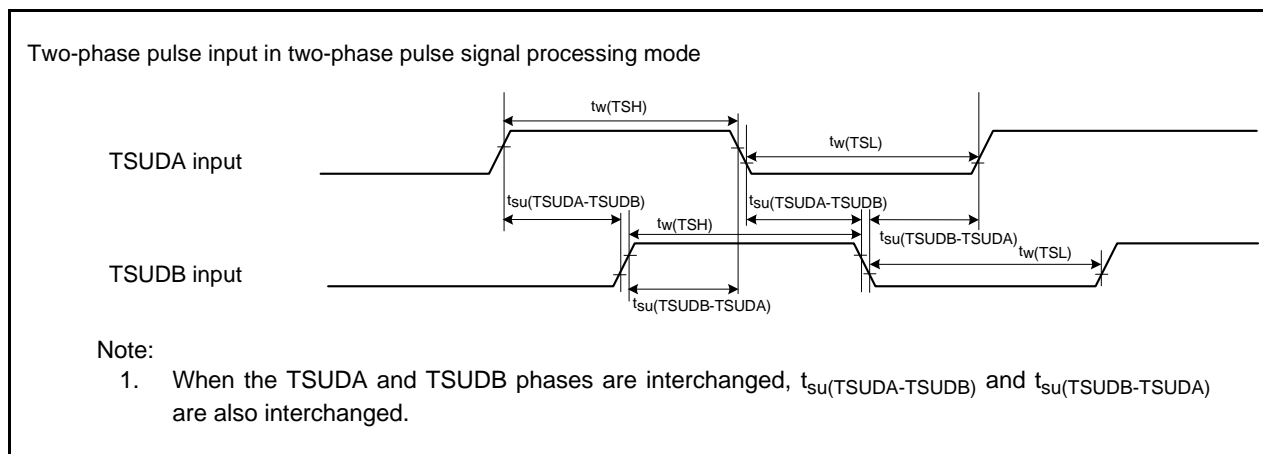
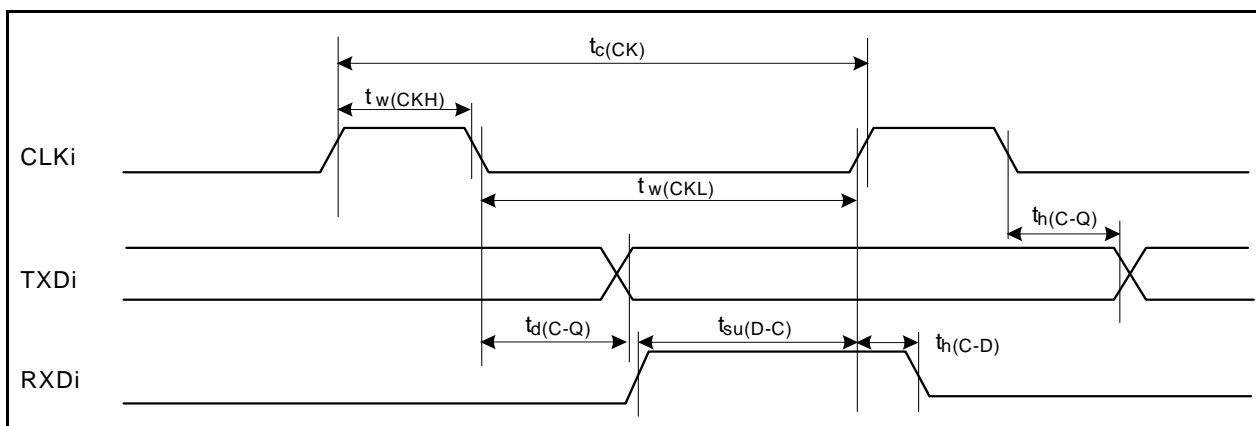


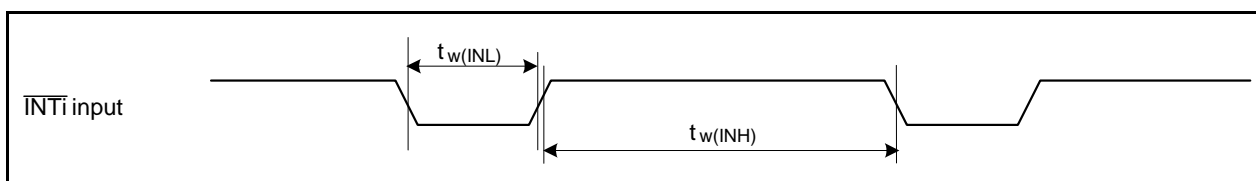
Figure 5.55 Timer S Input (Two-Phase Pulse Input in Two-Phase Pulse Signal Processing Mode)

K-Version, $V_{CC} = 3\text{ V}$ **Timing Requirements** $(V_{CC} = 3\text{ V}, V_{SS} = 0\text{ V}, \text{ at } T_{opr} = -40^{\circ}\text{C to } 125^{\circ}\text{C unless otherwise specified})$ **5.6.2.6 Serial Interface****Table 5.93 Serial Interface**

Symbol	Parameter	Standard		Unit
		Min.	Max.	
$t_{c(CK)}$	CLKi input cycle time	300		ns
$t_{w(CKH)}$	CLKi input high pulse width	150		ns
$t_{w(CKL)}$	CLKi input low pulse width	150		ns
$t_{d(C-Q)}$	TXDi output delay time		160	ns
$t_{h(C-Q)}$	TXDi hold time	0		ns
$t_{su(D-C)}$	RXDi input setup time	100		ns
$t_{h(C-D)}$	RXDi input hold time	90		ns

**Figure 5.56 Serial Interface****5.6.2.7 External Interrupt \overline{INTi} Input****Table 5.94 External Interrupt \overline{INTi} Input**

Symbol	Parameter	Standard		Unit
		Min.	Max.	
$t_{w(INH)}$	\overline{INTi} Input HIGH Pulse Width	380		ns
$t_{w(INL)}$	\overline{INTi} Input LOW Pulse Width	380		ns

**Figure 5.57 External Interrupt \overline{INTi} Input**

K-Version, $V_{CC} = 3\text{ V}$

Timing Requirements

($V_{CC} = 3\text{ V}$, $V_{SS} = 0\text{ V}$, at $T_{opr} = -40^{\circ}\text{C}$ to 125°C unless otherwise specified)

5.6.2.8 Multi-master I²C-bus

Table 5.95 Multi-master I²C-bus

Symbol	Parameter	Standard Clock Mode		Fast-mode		Unit
		Min.	Max.	Min.	Max.	
t_{BUF}	Bus free time	4.7		1.3		μs
$t_{HD;STA}$	Hold time in start condition	4.0		0.6		μs
t_{LOW}	Hold time in SCL clock 0 status	4.7		1.3		μs
t_R	SCL, SDA signals' rising time		1000	$20 + 0.1 C_b$	300	ns
$t_{HD;DAT}$	Data hold time	0		0	0.9	μs
t_{HIGH}	Hold time in SCL clock 1 status	4.0		0.6		μs
t_F	SCL, SDA signals' falling time		300	$20 + 0.1 C_b$	300	ns
$t_{su;DAT}$	Data setup time	250		100		ns
$t_{su;STA}$	Setup time in restart condition	4.7		0.6		μs
$t_{su;STO}$	Stop condition setup time	4.0		0.6		μs

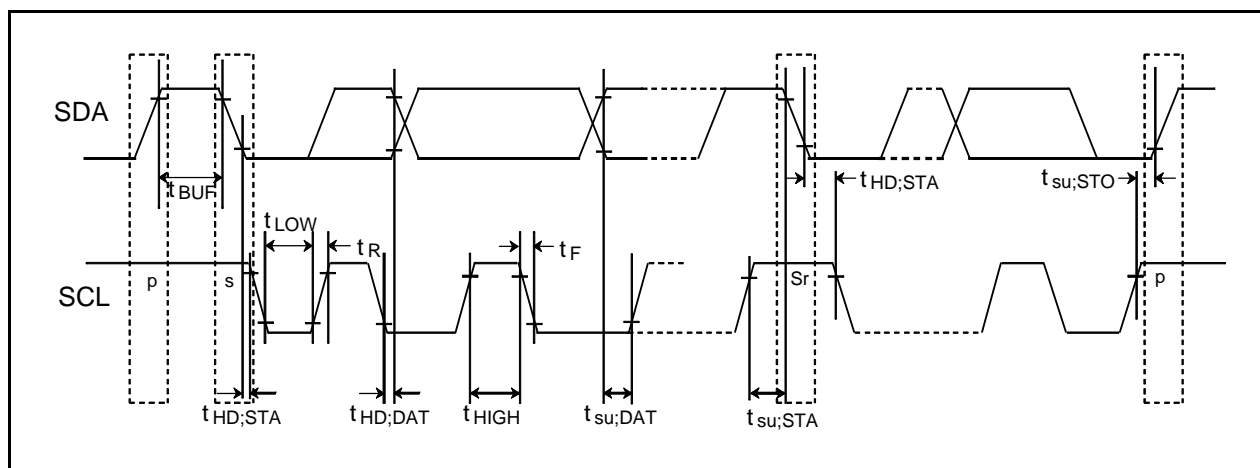


Figure 5.58 Multi-master I²C-bus

K-Version, $V_{CC} = 3\text{ V}$ **Timing Requirements** $(V_{CC} = 3\text{ V}, V_{SS} = 0\text{ V}, \text{ at } T_{opr} = -40^{\circ}\text{C to } 125^{\circ}\text{C unless otherwise specified})$ **5.6.2.9 Serial bus interface****Table 5.96 Serial Bus Interface**

Symbol	Characteristic		Measurement condition	Standard			Unit
				Min.	Typ.	Max.	
$t_{c(SSCK)}$	SSCK clock cycle time			250			ns
$t_{w(SSCKH)}$	SSCK clock high pulse width			0.4		0.6	$t_{c(SSCK)}$
$t_{w(SSCKL)}$	SSCK clock low pulse width			0.4		0.6	$t_{c(SSCK)}$
$t_{r(SSCK)}$	SSCK clock rising time	Master				1	$t_{CYC}^{(1)}$
		Slave				1	μs
$t_{f(SSCK)}$	SSCK clock falling time	Master				1	$t_{CYC}^{(1)}$
		Slave				1	μs
$t_{su(SSIO-SSCK)}$	SSO, SSI data input setup time			100			ns
$t_{h(SSCK-SSIO)}$	SSO, SSI data input hold time			1			$t_{CYC}^{(1)}$
$t_{su(SCS-SSCK)}$	\overline{SCS} setup time	Slave		$1 t_{CYC} + 50^{(1)}$			ns
$t_{h(SSCK-SCS)}$	\overline{SCS} hold time	Slave		$1 t_{CYC} + 50^{(1)}$			ns
$t_{d(SSCK-SSIO)}$	SSO, SSI data output delay time	Master				1	$t_{CYC}^{(1)}$
		Slave				80	ns
$t_{en(SCS-SSI)}$	SSI output enable time		$3.0\text{ V} \leq V_{CC} \leq 5.5\text{ V}$			$1.5 t_{CYC} + 100^{(1)}$	ns
$t_{dis(SCS-SSI)}$	SSI output disable time		$3.0\text{ V} \leq V_{CC} \leq 5.5\text{ V}$			$1.5 t_{CYC} + 100^{(1)}$	ns

Note:

1. $1 t_{CYC}$ is $1/f_1$ (s).

K-Version, $V_{CC} = 3\text{ V}$

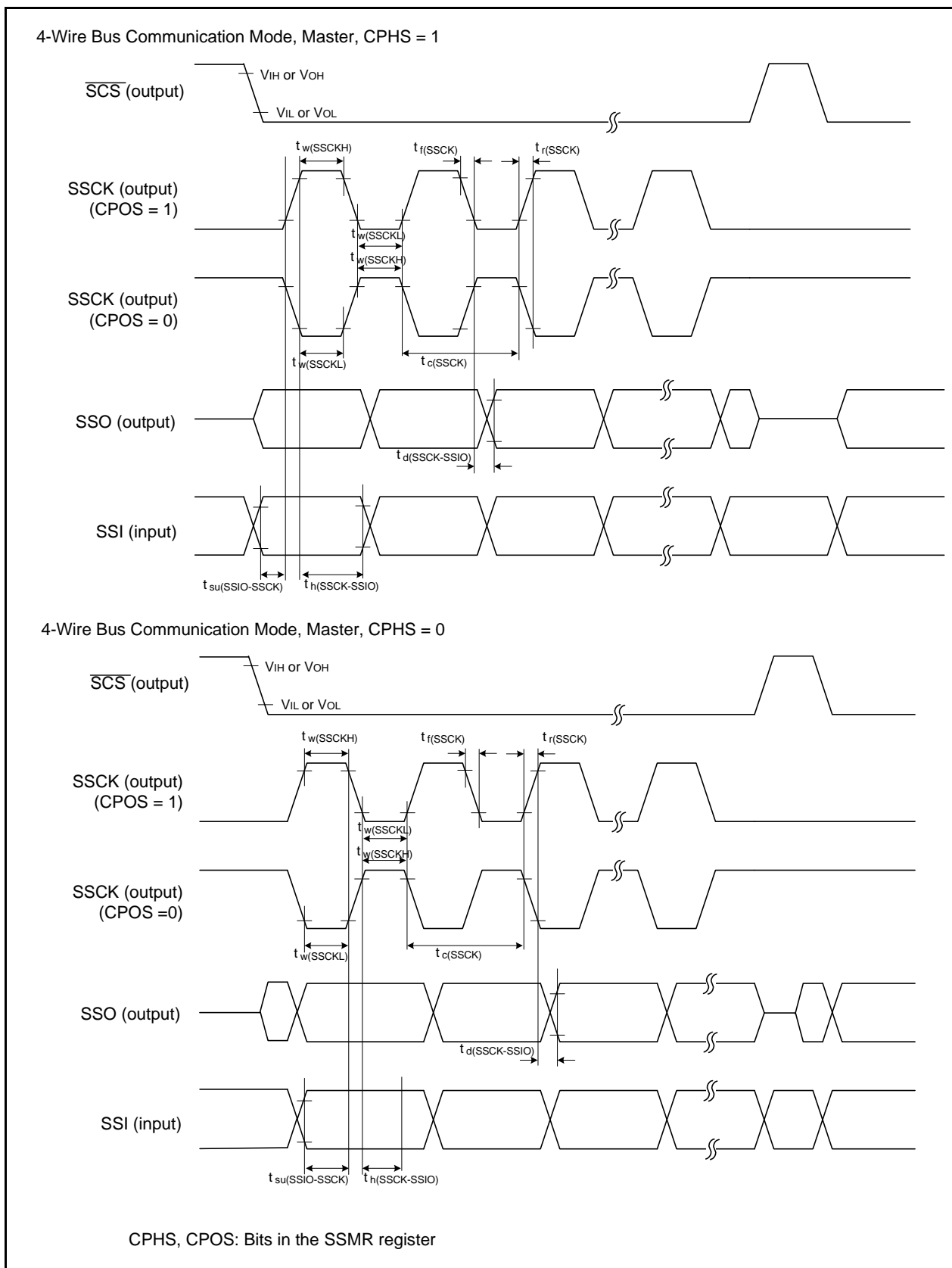


Figure 5.59 I/O Timing of Serial Bus Interface (Master)

K-Version, $V_{CC} = 3\text{ V}$

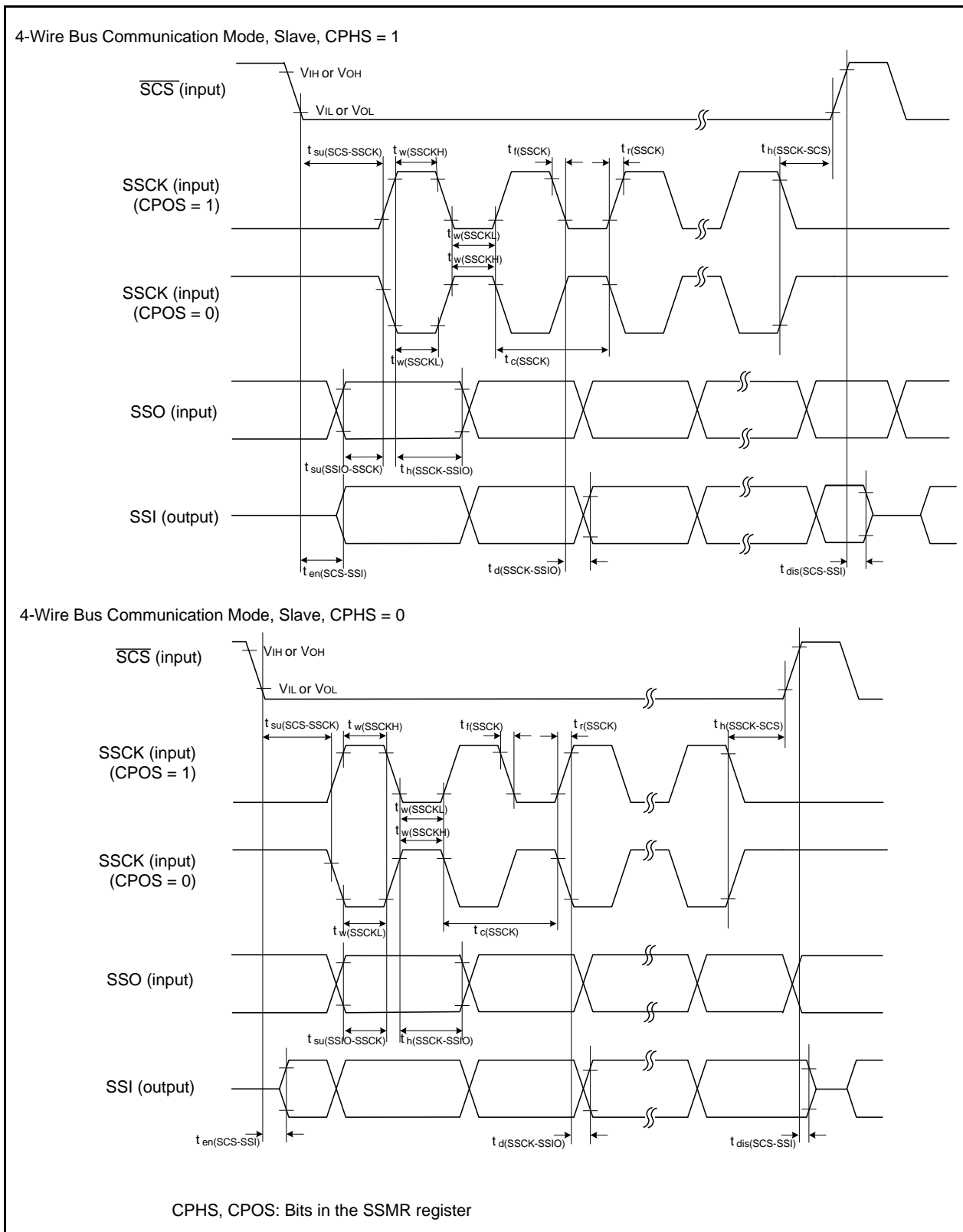


Figure 5.60 I/O Timing of Serial Bus Interface (Slave)

K-Version, $V_{CC} = 3\text{ V}$

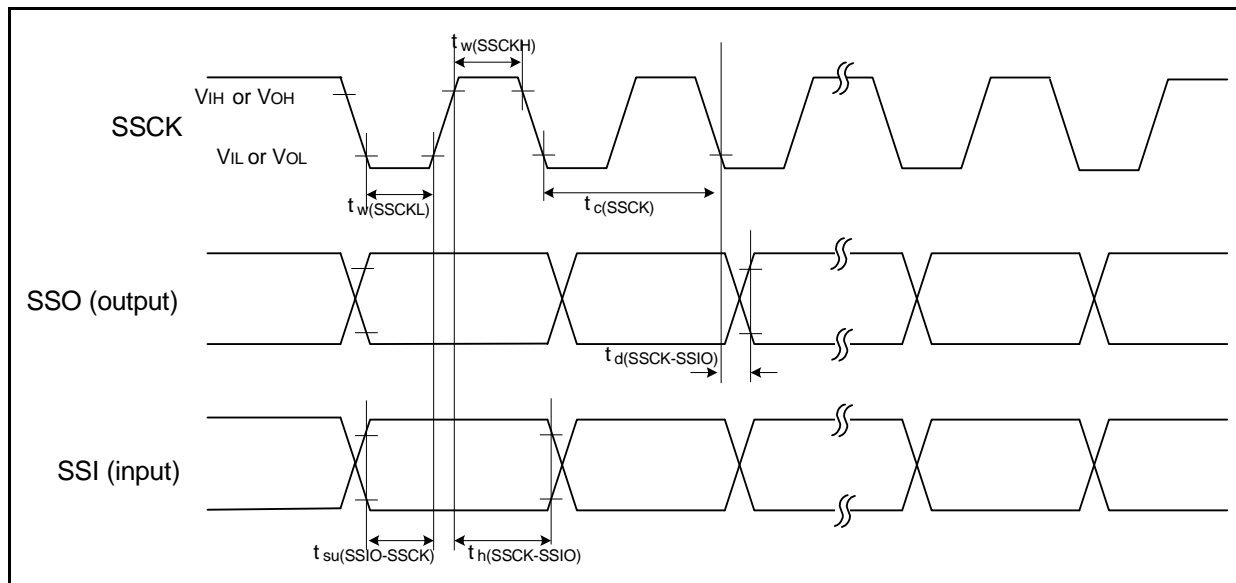


Figure 5.61 I/O Timing of Serial Bus Interface (Synchronous Communication Mode)

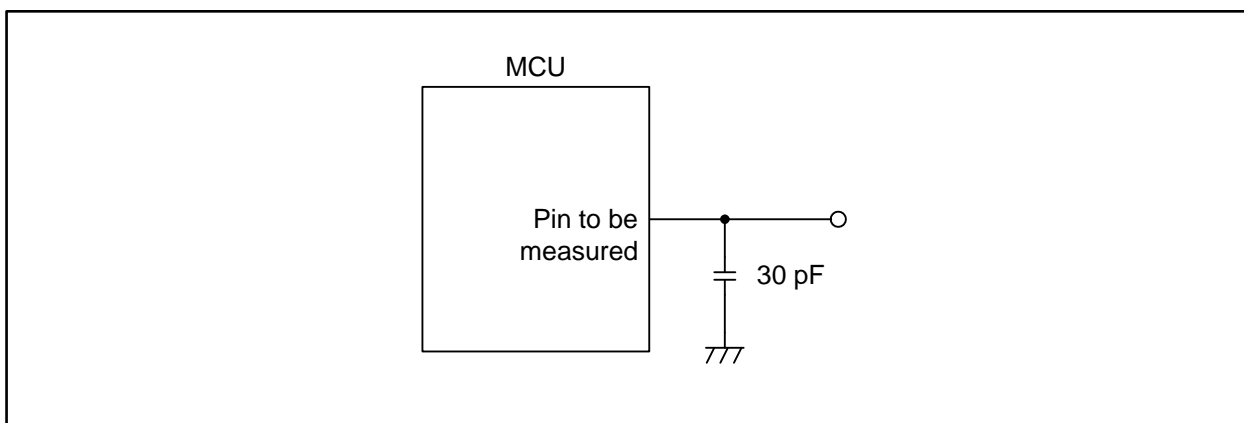


Figure 5.62 Switching Characteristic Measurement Circuit

REVISION HISTORY	M16C/5M Group, M16C/57 Group Datasheet
------------------	--

Rev.	Date	Description	
		Page	Summary
1.01	Aug.16.2010	—	First edition issued
1.10	Sep. 01, 2011	Overview	
		8, 9, 10	Table 1.7 M16C/5M Group Product List (J-Version), Table 1.8 M16C/5M Group Product List (K-Version), Table 1.9 M16C/57 Group Product List (J-Version), and Table 1.10 M16C/57 Group Product List (K-Version): Changed the product statuses.
		25, 26	Table 1.18 Pin Functions (64-Pin, 80-Pin, and 100-Pin Packages), Table 1.19 Pin Functions (100-Pin Package Only), Table 1.21 Pin Functions (100-Pin and 80-Pin Package Only): Changed the explanation of the direction register in the Description column of the I/O port row.
		Electrical Characteristics	
		J version, Common to 3 V and 5 V	
		81	Table 5.1 Absolute Maximum Ratings: Deleted VREF from the V_I .
		92	Table 5.14 On-Chip Oscillator Electrical Characteristics: Added the Dedicated 125 kHz on-chip oscillator for the watchdog timer oscillation frequency.
		J-Version, $V_{CC} = 5 V$	
		101	Figure 5.14 Multi-master I ² C-bus: Changed $t_{HD;DTA}$ to $t_{HD;DAT}$ and $t_{su;DTA}$ to $t_{su;DAT}$.
		102	Table 5.31 Serial Bus Interface: Added the standard for slave to $t_{d(SSCK-SSIO)}$.
		J-Version, $V_{CC} = 3 V$	
		114	Figure 5.27 Multi-master I ² C-bus: Changed $t_{HD;DTA}$ to $t_{HD;DAT}$ and $t_{su;DTA}$ to $t_{su;DAT}$.
		115	Table 5.48 Serial Bus Interface: Added the standard for slave to $t_{d(SSCK-SSIO)}$.
		K version, Common to 3 V and 5 V	
		130	Table 5.62 On-Chip Oscillator Electrical Characteristics: Added the Dedicated 125 kHz on-chip oscillator for the watchdog timer oscillation frequency.
		K-Version, $V_{CC} = 5 V$	
		139	Figure 5.45 Multi-master I ² C-bus: Changed $t_{HD;DTA}$ to $t_{HD;DAT}$ and $t_{su;DTA}$ to $t_{su;DAT}$.
		140	Table 5.79 Serial Bus Interface: Added the standard for slave to $t_{d(SSCK-SSIO)}$.
		K-Version, $V_{CC} = 3 V$	
		152	Figure 5.58 Multi-master I ² C-bus: Changed $t_{HD;DTA}$ to $t_{HD;DAT}$ and $t_{su;DTA}$ to $t_{su;DAT}$.
153	Table 5.96 Serial Bus Interface: Added the standard for slave to $t_{d(SSCK-SSIO)}$.		

All trademarks and registered trademarks are the property of their respective owners.

General Precautions in the Handling of MPU/MCU Products

The following usage notes are applicable to all MPU/MCU products from Renesas. For detailed usage notes on the products covered by this manual, refer to the relevant sections of the manual. If the descriptions under General Precautions in the Handling of MPU/MCU Products and in the body of the manual differ from each other, the description in the body of the manual takes precedence.

1. Handling of Unused Pins

Handle unused pins in accord with the directions given under Handling of Unused Pins in the manual.

- The input pins of CMOS products are generally in the high-impedance state. In operation with an unused pin in the open-circuit state, extra electromagnetic noise is induced in the vicinity of LSI, an associated shoot-through current flows internally, and malfunctions occur due to the false recognition of the pin state as an input signal become possible. Unused pins should be handled as described under Handling of Unused Pins in the manual.

2. Processing at Power-on

The state of the product is undefined at the moment when power is supplied.

- The states of internal circuits in the LSI are indeterminate and the states of register settings and pins are undefined at the moment when power is supplied.

In a finished product where the reset signal is applied to the external reset pin, the states of pins are not guaranteed from the moment when power is supplied until the reset process is completed.

In a similar way, the states of pins in a product that is reset by an on-chip power-on reset function are not guaranteed from the moment when power is supplied until the power reaches the level at which resetting has been specified.

3. Prohibition of Access to Reserved Addresses

Access to reserved addresses is prohibited.

- The reserved addresses are provided for the possible future expansion of functions. Do not access these addresses; the correct operation of LSI is not guaranteed if they are accessed.

4. Clock Signals

After applying a reset, only release the reset line after the operating clock signal has become stable. When switching the clock signal during program execution, wait until the target clock signal has stabilized.

- When the clock signal is generated with an external resonator (or from an external oscillator) during a reset, ensure that the reset line is only released after full stabilization of the clock signal. Moreover, when switching to a clock signal produced with an external resonator (or by an external oscillator) while program execution is in progress, wait until the target clock signal is stable.

5. Differences between Products

Before changing from one product to another, i.e. to one with a different part number, confirm that the change will not lead to problems.

- The characteristics of MPU/MCU in the same group but having different part numbers may differ because of the differences in internal memory capacity and layout pattern. When changing to products of different part numbers, implement a system-evaluation test for each of the products.

Notice

- All information included in this document is current as of the date this document is issued. Such information, however, is subject to change without any prior notice. Before purchasing or using any Renesas Electronics products listed herein, please confirm the latest product information with a Renesas Electronics sales office. Also, please pay regular and careful attention to additional and different information to be disclosed by Renesas Electronics such as that disclosed through our website.
- Renesas Electronics does not assume any liability for infringement of patents, copyrights, or other intellectual property rights of third parties by or arising from the use of Renesas Electronics products or technical information described in this document. No license, express, implied or otherwise, is granted hereby under any patents, copyrights or other intellectual property rights of Renesas Electronics or others.
- You should not alter, modify, copy, or otherwise misappropriate any Renesas Electronics product, whether in whole or in part.
- Descriptions of circuits, software and other related information in this document are provided only to illustrate the operation of semiconductor products and application examples. You are fully responsible for the incorporation of these circuits, software, and information in the design of your equipment. Renesas Electronics assumes no responsibility for any losses incurred by you or third parties arising from the use of these circuits, software, or information.
- When exporting the products or technology described in this document, you should comply with the applicable export control laws and regulations and follow the procedures required by such laws and regulations. You should not use Renesas Electronics products or the technology described in this document for any purpose relating to military applications or use by the military, including but not limited to the development of weapons of mass destruction. Renesas Electronics products and technology may not be used for or incorporated into any products or systems whose manufacture, use, or sale is prohibited under any applicable domestic or foreign laws or regulations.
- Renesas Electronics has used reasonable care in preparing the information included in this document, but Renesas Electronics does not warrant that such information is error free. Renesas Electronics assumes no liability whatsoever for any damages incurred by you resulting from errors in or omissions from the information included herein.
- Renesas Electronics products are classified according to the following three quality grades: "Standard", "High Quality", and "Specific". The recommended applications for each Renesas Electronics product depends on the product's quality grade, as indicated below. You must check the quality grade of each Renesas Electronics product before using it in a particular application. You may not use any Renesas Electronics product for any application categorized as "Specific" without the prior written consent of Renesas Electronics. Further, you may not use any Renesas Electronics product for any application for which it is not intended without the prior written consent of Renesas Electronics. Renesas Electronics shall not be in any way liable for any damages or losses incurred by you or third parties arising from the use of any Renesas Electronics product for an application categorized as "Specific" or for which the product is not intended where you have failed to obtain the prior written consent of Renesas Electronics. The quality grade of each Renesas Electronics product is "Standard" unless otherwise expressly specified in a Renesas Electronics data sheets or data books, etc.
"Standard": Computers; office equipment; communications equipment; test and measurement equipment; audio and visual equipment; home electronic appliances; machine tools; personal electronic equipment; and industrial robots.
"High Quality": Transportation equipment (automobiles, trains, ships, etc.); traffic control systems; anti-disaster systems; anti-crime systems; safety equipment; and medical equipment not specifically designed for life support.
"Specific": Aircraft; aerospace equipment; submersible repeaters; nuclear reactor control systems; medical equipment or systems for life support (e.g. artificial life support devices or systems), surgical implantations, or healthcare intervention (e.g. excision, etc.), and any other applications or purposes that pose a direct threat to human life.
- You should use the Renesas Electronics products described in this document within the range specified by Renesas Electronics, especially with respect to the maximum rating, operating supply voltage range, movement power voltage range, heat radiation characteristics, installation and other product characteristics. Renesas Electronics shall have no liability for malfunctions or damages arising out of the use of Renesas Electronics products beyond such specified ranges.
- Although Renesas Electronics endeavors to improve the quality and reliability of its products, semiconductor products have specific characteristics such as the occurrence of failure at a certain rate and malfunctions under certain use conditions. Further, Renesas Electronics products are not subject to radiation resistance design. Please be sure to implement safety measures to guard them against the possibility of physical injury, and injury or damage caused by fire in the event of the failure of a Renesas Electronics product, such as safety design for hardware and software including but not limited to redundancy, fire control and malfunction prevention, appropriate treatment for aging degradation or any other appropriate measures. Because the evaluation of microcomputer software alone is very difficult, please evaluate the safety of the final products or system manufactured by you.
- Please contact a Renesas Electronics sales office for details as to environmental matters such as the environmental compatibility of each Renesas Electronics product. Please use Renesas Electronics products in compliance with all applicable laws and regulations that regulate the inclusion or use of controlled substances, including without limitation, the EU RoHS Directive. Renesas Electronics assumes no liability for damages or losses occurring as a result of your noncompliance with applicable laws and regulations.
- This document may not be reproduced or duplicated, in any form, in whole or in part, without prior written consent of Renesas Electronics.
- Please contact a Renesas Electronics sales office if you have any questions regarding the information contained in this document or Renesas Electronics products, or if you have any other inquiries.
(Note 1) "Renesas Electronics" as used in this document means Renesas Electronics Corporation and also includes its majority-owned subsidiaries.
(Note 2) "Renesas Electronics product(s)" means any product developed or manufactured by or for Renesas Electronics.



SALES OFFICES

Renesas Electronics Corporation

<http://www.renesas.com>

Refer to "<http://www.renesas.com/>" for the latest and detailed information.

Renesas Electronics America Inc.
2880 Scott Boulevard Santa Clara, CA 95050-2554, U.S.A.
Tel: +1-408-588-6000, Fax: +1-408-588-6130

Renesas Electronics Canada Limited
1101 Nicholson Road, Newmarket, Ontario L3Y 9C3, Canada
Tel: +1-905-898-5441, Fax: +1-905-898-3220

Renesas Electronics Europe Limited
Dukes Meadow, Millboard Road, Bourne End, Buckinghamshire, SL8 5FH, U.K.
Tel: +44-1628-585-100, Fax: +44-1628-585-900

Renesas Electronics Europe GmbH
Arcadiastrasse 10, 40472 Düsseldorf, Germany
Tel: +49-211-65030, Fax: +49-211-6503-1327

Renesas Electronics (China) Co., Ltd.
7th Floor, Quantum Plaza, No.27 ZhiChunLu Haidian District, Beijing 100083, P.R.China
Tel: +86-10-8235-1155, Fax: +86-10-8235-7679

Renesas Electronics (Shanghai) Co., Ltd.
Unit 204, 205, AZIA Center, No.1233 Lujiazui Ring Rd., Pudong District, Shanghai 200120, China
Tel: +86-21-5877-1818, Fax: +86-21-6887-7858 / -7898

Renesas Electronics Hong Kong Limited
Unit 1601-1613, 16/F., Tower 2, Grand Century Place, 193 Prince Edward Road West, Mongkok, Kowloon, Hong Kong
Tel: +852-2886-9318, Fax: +852 2886-9022/9044

Renesas Electronics Taiwan Co., Ltd.
13F, No. 363, Fu Shing North Road, Taipei, Taiwan
Tel: +886-2-8175-9600, Fax: +886 2-8175-9670

Renesas Electronics Singapore Pte. Ltd.
1 HarbourFront Avenue, #06-10, Keppel Bay Tower, Singapore 098632
Tel: +65-6213-0200, Fax: +65-6278-8001

Renesas Electronics Malaysia Sdn.Bhd.
Unit 906, Block B, Menara Amcorp, Amcorp Trade Centre, No. 18, Jin Persiaran Barat, 46050 Petaling Jaya, Selangor Darul Ehsan, Malaysia
Tel: +60-3-7955-9390, Fax: +60-3-7955-9510

Renesas Electronics Korea Co., Ltd.
11F., Samik Lavied' or Bldg., 720-2 Yeoksam-Dong, Kangnam-Ku, Seoul 135-080, Korea
Tel: +82-2-558-3737, Fax: +82-2-558-5141