

PS-LD0401-x-yyy(S) (22W)

(PRELIMINARY INFORMATION)

DESCRIPTION :

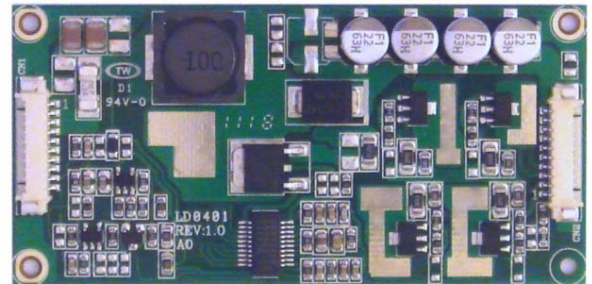
This low profile LED-Converter is developed for max. 4 LED-lines

APPLICABLE:

- 4 LED lines (Serial Mode)
- Pout max 5,5 Watt per line, total max. 22W
- LED Voltage max. 51Vdc
- Lamp Current per line: max. 150mAdc

FEATURES :

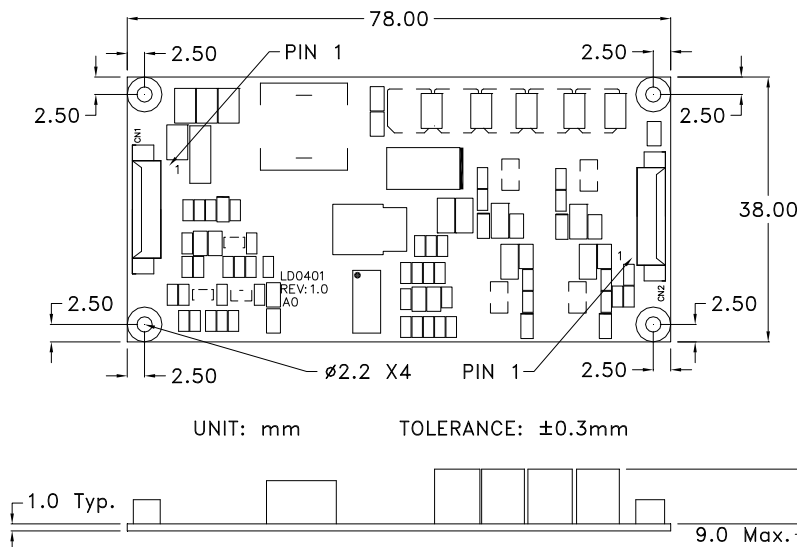
- Internal Open LED Detection for every Line
- Analog dimming and external PWM dimming
- Remote ON / OFF
- RoHS compliant (S)



TEMPERATURE & HUMIDITY :

- Operating Temperature Range -20°C ~ +70°C
(Please contact factory for different displays)
- Storage Temperature Range -20°C ~ +85°C
- Humidity 95 %RH max

DIMENSIONS : L x W x H 78 x 38 x 7.2 mm



Weight : (11g) typ.

UNIT: mm TOLERANCE: ±0.3mm

Components

No.	Part Description	Qty.	Material	Note
1	PCB	1	UL94V-0 (FR-4 or CEM-3)	t=1.0mm
2	Connector CN1	1	53261-1090	Molex or equal
3	Connector CN2	1	53261-1090	Molex or equal

Power Systems – The Power Solution

Web: www.Power-Systems.de
 Email: Info@Power-Systems.de

Address: Hauptstr. 48 ; 74360 Ilsfeld-Auenstein / Germany
 Tel. : + 49 / 70 62 / 67 59 - 6
 Fax: + 49 / 70 62 / 67 59 - 800

LED-CONVERTER UNIT

PS-LD0401-x-yyy(S) (22W)

(PRELIMINARY INFORMATION)

Input side CN1:

Pin No.	Symbols	Ratings
CN 1-1	Vin	10.8 ~ 13.2 Vdc
CN 1-2	Vin	10.8 ~ 13.2 Vdc
CN 1-3	Vin	10.8 ~ 13.2 Vdc
CN 1-4	Vin	10.8 ~ 13.2 Vdc
CN 1-5	GND	-
CN 1-6	GND	-
CN 1-7	GND	-
CN 1-8	GND	-
CN 1-9	Vrmt	0 ~ 1.0 = OFF / 2.5 ~ Vin = ON
CN 1-10	Vbr	0.0 ~ 5.0 (5V=low brightness)
	ext. PWM	0 ~ 0.8 = OFF / 3.0 ~ 5.5 = ON

Output side CN2:

Pin No.	Symbols	Ratings
CN 2-1	RTN1(-)	LED LINE 1 RETURN
CN 2-2	RTN2(-)	LED LINE 2 RETURN
CN 2-3	RTN3(-)	LED LINE 3 RETURN
CN 2-4	RTN4(-)	LED LINE 4 RETURN
CN 2-5	NC	
CN 2-6	NC	
CN 2-7	Vhigh(+)	max. 51Vdc
CN 2-8	Vhigh(+)	max. 51Vdc
CN 2-9	Vhigh(+)	max. 51Vdc
CN 2-10	Vhigh(+)	max. 51Vdc

ELECTRICAL CHARACTERISTICS :

Parameters	Symbols	Conditions			Specification			Unit	Note
		Vin (V)	Vbr (V)	Tu (°C)	Min.	Typ.	Max.		
Output Current	Iout	10.8 ~ 13.2	0	-20~+70	TBD	150*	TBD	mAdc	*Note 6
Output Current	Imin	10.8 ~ 13.2	5	-20~+70	-	10	-	%	duty cycle analogue voltage
output Current	Imin	10.8 ~ 13.2	0	-20~+70		1		%	duty cycle ext. PWM
Input Current	Iin	10.8 ~ 13.2	0	-20~+70	TBD	1.6	2.8	Adc	*By 12Vdc
Inrush Current	Ip	10.8 ~ 13.2	0	-20~+70			6.0	Apeak	By full load
Open Load Shutdown	Vbias	10.8 ~ 13.2	0	-20~+70	52	55	58	Vdc	

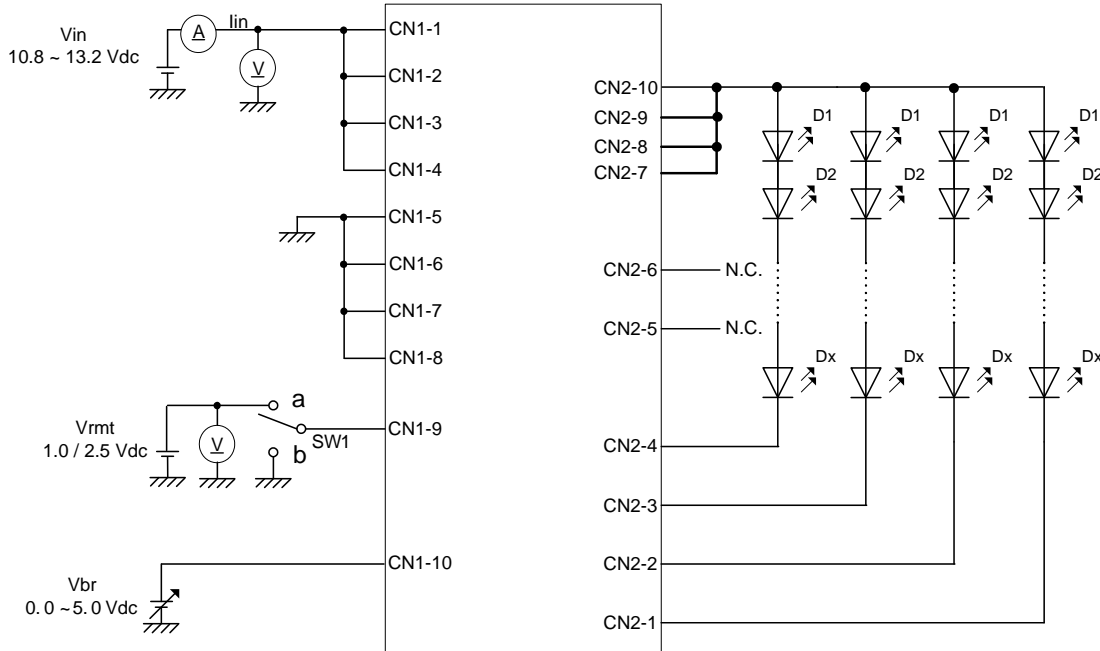
- Note 1 : Pin Terminal Style converters are mounted with Molex connectors.
- Note 2 : In case of not needing to connect all outputs please ask factory which pins to connect according to your needs.
- Note 3: Dimming input pin CN1-10 is depending on customer's request in Order Key (page 4).
- Note 4: PWM-signal is HIGH active.
- Note 5: The external PWM-frequency should be within the range of 100 ~ 500Hz. For other frequencies please request.
- Note 6: Output current is up to customer's wish when no dimming function is required,

Power Systems – The Power Solution

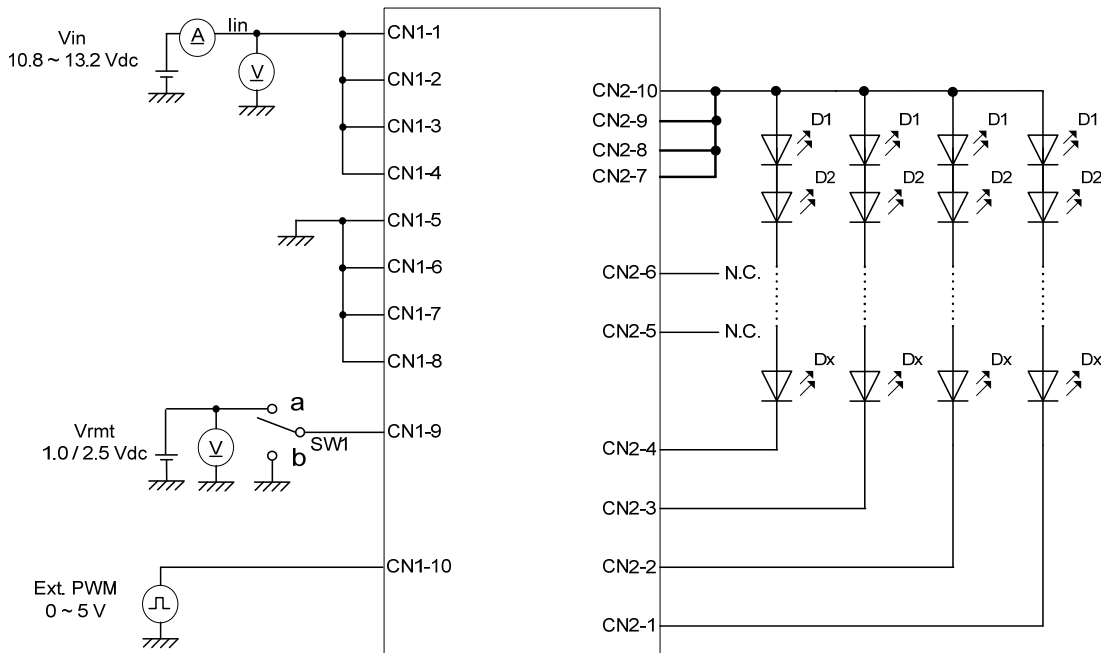
Web: www.Power-Systems.de
 Email: Info@Power-Systems.de

Address: Hauptstr. 48 ; 74360 Ilsfeld-Auenstein / Germany
 Tel. : + 49 / 70 62 / 67 59 - 6
 Fax: + 49 / 70 62 / 67 59 - 800

TEST CIRCUIT WITH ANALOGUE VOLTAGE FOR PS-LD0401-1-yyy:



TEST CIRCUIT WITH EXTERNAL PWM FOR PS-LD0401-2-yyy:



ORDER KEY :**PS-LD0401-x-yyy**

When ordering this converter please give the following keys:

-x is for optional dimming control

-1 for analog

-2 for ext. PWM (High active)

-3 for ext. PWM (Low active)

-yyy is for output current

Examples:

PS-LD0401-**1-150** (S)

PCB with analog dimming and 150mA output current.

PS-LD0401-**2-110** (S)

PCB with ext. PWM dimming and 110mA output current

CABLES :**For input:**

500 mm, stripped and tinned ends, order key <input cable #6>

For output:

500 mm, stripped and tinned ends, order key <input cable #6>