

SACB- 4/3-L-C-M8 HD GG - Distributor box header



1197599

<https://www.phoenixcontact.com/us/products/1197599>

Please be informed that the data shown in this PDF document is generated from our online catalog. Please find the complete data in the user documentation. Our general terms of use for downloads are valid.



Distributor box header, application: Standard, connection method: M8 socket Metal, number of slots: 4, number of positions: 3, coding: A, slot assignment: single, status display: yes, PNP; master cable connection: Plug-in master cable connection 180°, shielding: no

Your advantages

- Safety in the field, thanks to molded housing and high degree of protection
- Convenient: increased machine availability thanks to quick and easy diagnostics
- Flexible: distributor box with connector hood for on-site assembly

Commercial data

Item number	1197599
Packing unit	1 pc
Minimum order quantity	1 pc
Sales key	BF40
Product key	AF3BCD
GTIN	4063151258009
Weight per piece (including packing)	102 g
Weight per piece (excluding packing)	96 g
Customs tariff number	85444290
Country of origin	DE

Technical data

Notes

Assembly note	NOTE: Observe the permissible bending radii when routing cables, since the degree of protection may be at risk if the bending forces are too high. Reduce mechanical loads upstream of the connector, e.g., by using cable ties.
Note on application	Unused slots are to be sealed off prior to commissioning. Suitable sealing elements are to be found under "Accessories".

Product properties

Product type	Header with metric measurement slots
Application	Standard
Number of positions	3
Number of slots	4
Coding	A
LED	yes

System properties

Local diagnostics

Monitored function	Supply voltage
Optical representation	Green LED

Electrical properties

Max. operating voltage U_{max}	30 V DC
Local diagnostics	Supply voltage Green LED
	Status display I/O Yellow LED
Nominal voltage U_N	24 V DC
Rated current, total	8 A
Max. current carrying capacity per path	2 A
Current carrying capacity per slot	2 A

Signaling

Status display present	yes
------------------------	-----

Dimensions

Dimensional drawing	
Width	30 mm

SACB- 4/3-L-C-M8 HD GG - Distributor box header



1197599

<https://www.phoenixcontact.com/us/products/1197599>

Height	17 mm
Length	134 mm

Material specifications

Material Threaded sleeve	Cu alloy
Material Housing	PBT
Material Molding compound	PUR
Seal material O-ring	FKM
Contact material	CuZn
Contact surface material	Ni/Au
Contact carrier material	PBT
Material of contact, master cable side	CU alloy
Material of the contact carrier on the master cable side	PA
Material of contact surface, master cable side	tin-plated

Cable/line

Connection method	Plug-in master cable connection
-------------------	---------------------------------

Environmental and real-life conditions

Ambient conditions

Degree of protection	IP67
Ambient temperature (operation)	-25 °C ... 80 °C

Standards and regulations

Standard designation	M8 connector
Standards/specifications	IEC 61076-2-104

SACB- 4/3-L-C-M8 HD GG - Distributor box header

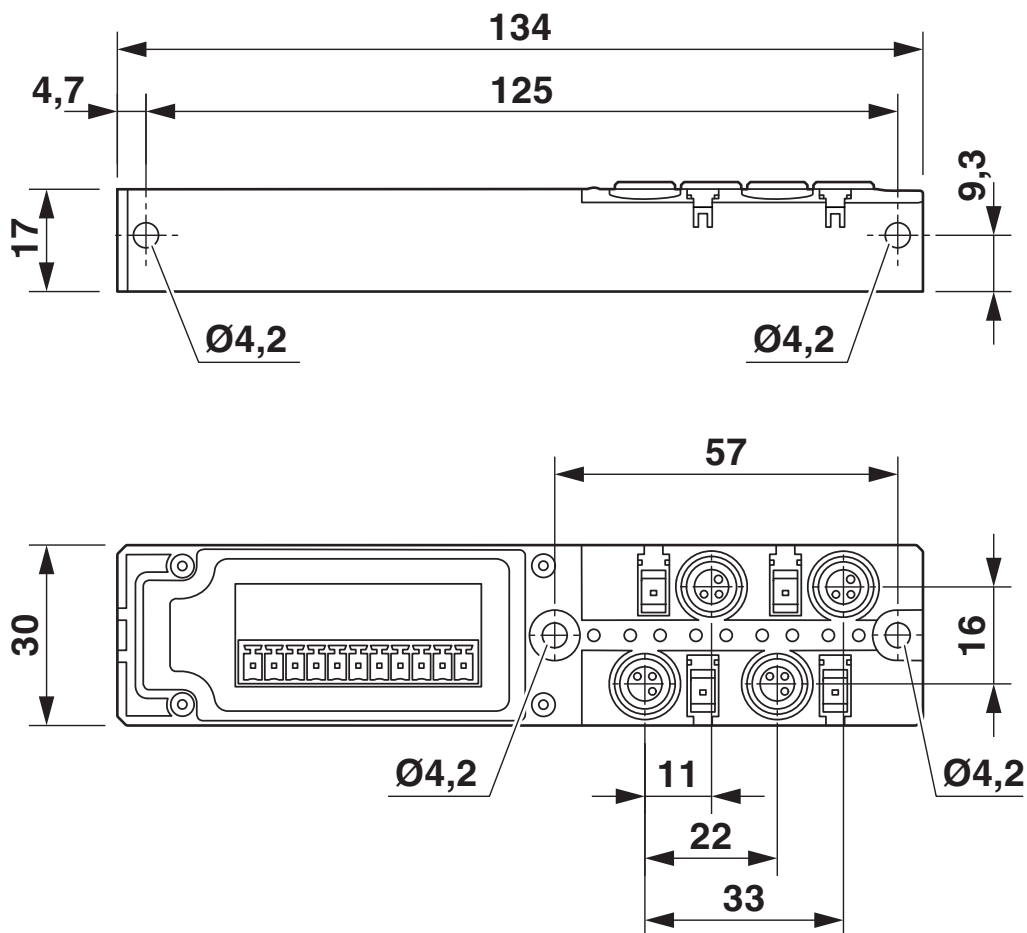


1197599

<https://www.phoenixcontact.com/us/products/1197599>

Drawings

Dimensional drawing



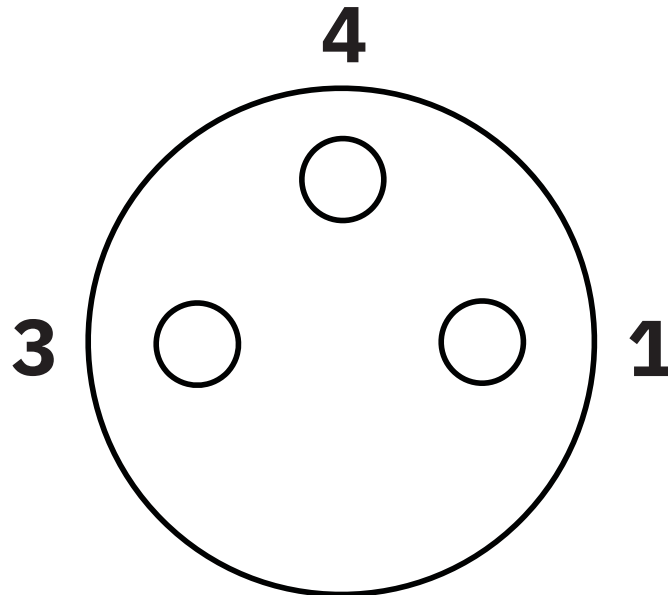
SACB- 4/3-L-C-M8 HD GG - Distributor box header



1197599

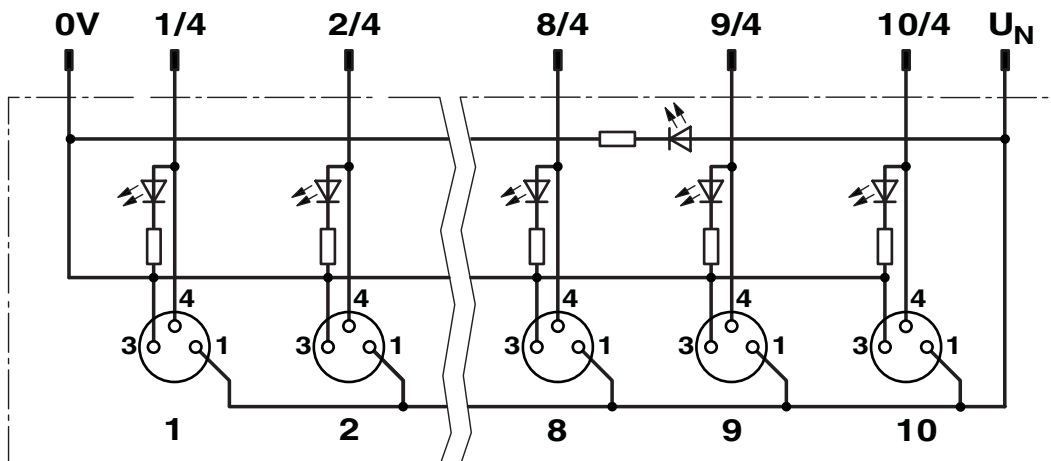
<https://www.phoenixcontact.com/us/products/1197599>

Schematic diagram



M8 slot, socket, 3-pos.

Circuit diagram



SACB- 4/3-L-C-M8 HD GG - Distributor box header



1197599

<https://www.phoenixcontact.com/us/products/1197599>

Classifications

ECLASS

ECLASS-11.0	27440111
ECLASS-12.0	27440111
ECLASS-13.0	27440111

ETIM

ETIM 9.0	EC003558
----------	----------

UNSPSC

UNSPSC 21.0	31251500
-------------	----------

1197599

<https://www.phoenixcontact.com/us/products/1197599>

Environmental product compliance

EU RoHS

Fulfills EU RoHS substance requirements	Yes
Exemption	6(c)

China RoHS

Environment friendly use period (EFUP)	EFUP-50
	An article-related China RoHS declaration table can be found in the download area for the respective article under "Manufacturer declaration". For all articles with EFUP-E, no China RoHS declaration table issued and required.

EU REACH SVHC

REACH candidate substance (CAS No.)	Lead(CAS: 7439-92-1)
SCIP	3581a100-c6d3-416f-81da-3204c2345056

Phoenix Contact 2025 © - all rights reserved

<https://www.phoenixcontact.com>

Phoenix Contact USA
586 Fulling Mill Road
Middletown, PA 17057, United States
(+717) 944-1300
info@phoenixcon.com