



FEATURES

- Universal 85 - 264VAC or 120 - 370VDC Input voltage
- Accepts AC or DC input (dual-use of same terminal)
- Operating ambient temperature range: -30°C to +70°C
- Low standby power consumption, high efficiency
- High I/O isolation test voltage up to 4000VAC
- Low ripple & noise
- Output short circuit, over-current, over-voltage protection
- OVC III (designed to meet EN62477)
- Operating altitude up to 5000m
- 3 years warranty



EN62368-1
EN60335-1
EN61558-1
EN61558-2-16



BS EN 62368-1



GB4943.1



LM75-20Bxx series is one of Mornsun's enclosed AC-DC switching power supply. It features universal AC input and at the same time accepts DC input voltage, cost-effective, low no load power consumption, high efficiency, high reliability and double or reinforced insulation. These converters offer excellent EMC performance and meet IEC/EN61000-4, CISPR32/EN55032, UL/IEC/EN62368, EN60335, GB4943 standards and they are widely used in areas of industrial, LED, street light control, security, telecommunications, smart home etc.

Selection Guide

Certification	Part No.*	Output Power (W)	Nominal Output Voltage and Current (Vo/Io)	Output Voltage Adjustable Range (V)	Efficiency at 230VAC (%) Typ.	Max. Capacitive Load (uF)
EN/CCC (Pending)	LM75-20B05	70	5V/14A	4.5-5.5	86	10000
	LM75-20B12	72	12V/6A	10.2-13.8	88	6000
	LM75-20B15	75	15V/5A	13.5-18	88	5000
	LM75-20B24	76.8	24V/3.2A	21.6-28.8	90	1500
	LM75-20B36	76.8	36V/2.1A	32.4-39.6	90	1000
	LM75-20B48	76.8	48V/1.6A	43.2-52.8	91.5	680

Note: *1. Use suffix "Q" for conformal coating.
2. If the terminal cover is required, please order "PJA-032" for self-installation.
3. The product picture is for reference only. For details, please refer to the actual product.

Input Specifications

Item	Operating Conditions	Min.	Typ.	Max.	Unit
Input Voltage Range	AC Input	85	--	264	VAC
	DC Input	120	--	370	VDC
Input Voltage Frequency		47	--	63	Hz
Input Current	115VAC	--	--	2	A
	230VAC	--	--	1	
Inrush Current	115VAC	--	40	--	
	230VAC	--	65	--	
Leakage Current	240VAC	<0.75mA			
Hot Plug		Unavailable			

Output Specifications

Item	Operating Conditions	Min.	Typ.	Max.	Unit
Output Voltage Accuracy	Full load range	5V	--	±2	--
		12V/15V/24V/36V/48V	--	±1	--
Line Regulation	Rated load	--	±0.5	--	%
Load Regulation	0% - 100% load	5V	--	±1	
		12V/15V/24V/36V/48V	--	±0.5	--

AC/DC 75W Enclosed Switching Power Supply

LM75-20Bxx (-Q) Series

MORNSUN®

Ripple & Noise*	20MHz bandwidth (peak-to-peak value)	5V	--	100	--	mV
		12V/15V	--	120	--	
		24V	--	150	--	
		36V	--	200	--	
		48V	--	200	--	
Temperature Coefficient	0°C to 50°C, 230VAC		--	±0.03	--	%/°C
Minimum Load			0	--	--	%
Stand-by Power Consumption			--	--	0.3	W
Hold-up Time	115VAC			8	--	ms
	230VAC			55	--	
Short Circuit Protection	Recovery time <5s after the short circuit disappear.		Hiccup, continuous, self-recover			
Over-current Protection			120%-250% Io, self-recover			
Over-voltage Protection	5V		≤6.75VDC (clamp, self-recover)			
	12V		≤16.2VDC (Hiccup, self-recover)			
	15V		≤21.75VDC (Hiccup, self-recover)			
	24V		≤33.6VDC (Hiccup, self-recover)			
	36V		≤50VDC (Hiccup, self-recover)			
	48V		≤60VDC (Hiccup, self-recover)			
Note: *The "Tip and barrel method" is used for ripple and noise test, output parallel 47uF electrolytic capacitor and 0.1uF ceramic capacitor, please refer to Enclosed Switching Power Supply Application Notes for specific information.						

General Specifications

Item	Operating Conditions			Min.	Typ.	Max.	Unit
Isolation	Input - ⊕	Electric strength test for 1min., leakage current <10mA		2000	--	--	VAC
	Input - output						
	output - ⊕						
Insulation Resistance	Input - ⊕	At 500VDC		100	--	--	MΩ
	Input - output						
	output - ⊕						
Operating Temperature				-30	--	+70	°C
Storage Temperature				-40	--	+85	
Operating Humidity	Non-condensing			20	--	90	%RH
Storage Humidity				--	--	95	
Switching Frequency				--	65	--	kHz
Power Derating	Operating temperature derating	5V output	+40°C to +70°C	1.3	--	--	% / °C
		Other output	+50°C to +70°C	2	--	--	
	Input voltage derating	85VAC-100VAC		1.33	--	--	%/VAC
Safety Standard				Design refer to UL/IEC/BS EN/EN62368-1, GB4943.1, IS13252 (Part1) & EN60335-1, EN61558-1, EN61558-2-16			
Safety Class				CLASS I			
MTBF	MIL-HDBK-217F@25°C			≥300,000 h			
Warranty	Ambient temperature: <70°C			3 years			

Mechanical Specifications

Case Material	Metal (AL1100, SGCC)
Dimensions	99.00 x 97.00 x 30.00 mm
Weight	220g (Typ.)

MORNSUN®

MORNSUN Guangzhou Science & Technology Co., Ltd.

2025.04.22-A/7

Page 2 of 4

MORNSUN Guangzhou Science & Technology Co., Ltd. reserves the copyright and right of final interpretation

Cooling Method

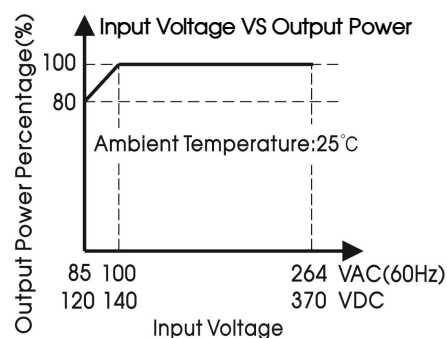
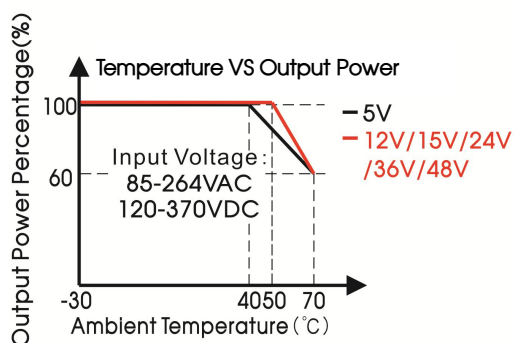
Free air convection

Electromagnetic Compatibility (EMC)

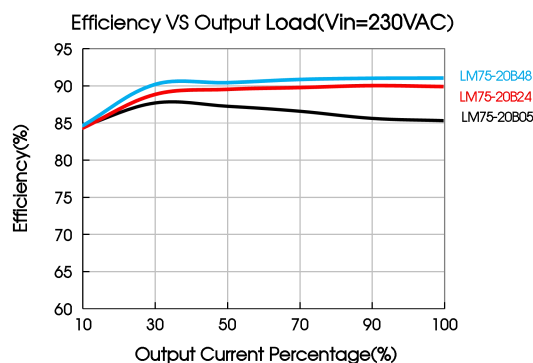
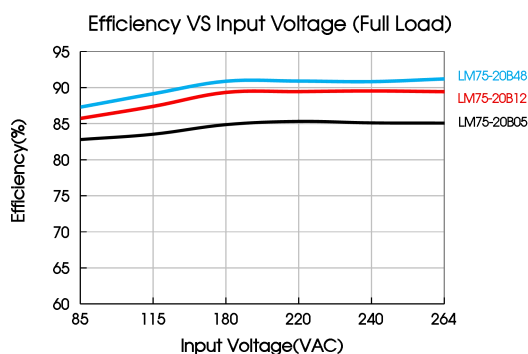
Emissions	CE	CISPR32/EN55032	CLASS B	
	RE	CISPR32/EN55032	CLASS B	
	Harmonic current	IEC/EN61000-3-2	CLASS A	
Immunity	ESD	IEC/EN61000-4-2	Contact $\pm 6\text{KV}$ /Air $\pm 8\text{KV}$	perf. Criteria A
	RS	IEC/EN61000-4-3	10V/m	perf. Criteria A
	EFT	IEC/EN61000-4-4	$\pm 2\text{KV}$	perf. Criteria A
	Surge	IEC/EN61000-4-5	Line to line $\pm 2\text{KV}$ /line to PE $\pm 4\text{KV}$	perf. Criteria A
	CS	IEC/EN61000-4-6	10 Vr.m.s	perf. Criteria A
	MS	IEC/EN61000-4-8	30A/m	perf. Criteria A
	Voltage variation*	IEC61000-6-2/IEC61000-4-11	70% Un, 25/30 cycle(50/60Hz) 40% Un, 10/12 cycle(50/60Hz) 0% Un, 1 cycle	perf. Criteria B
	voltage interruption*	IEC61000-6-2/IEC61000-4-11	0% Un, 250/300 cycle(50/60Hz)	perf. Criteria C

Note: *Un is the maximum input nominal voltage.

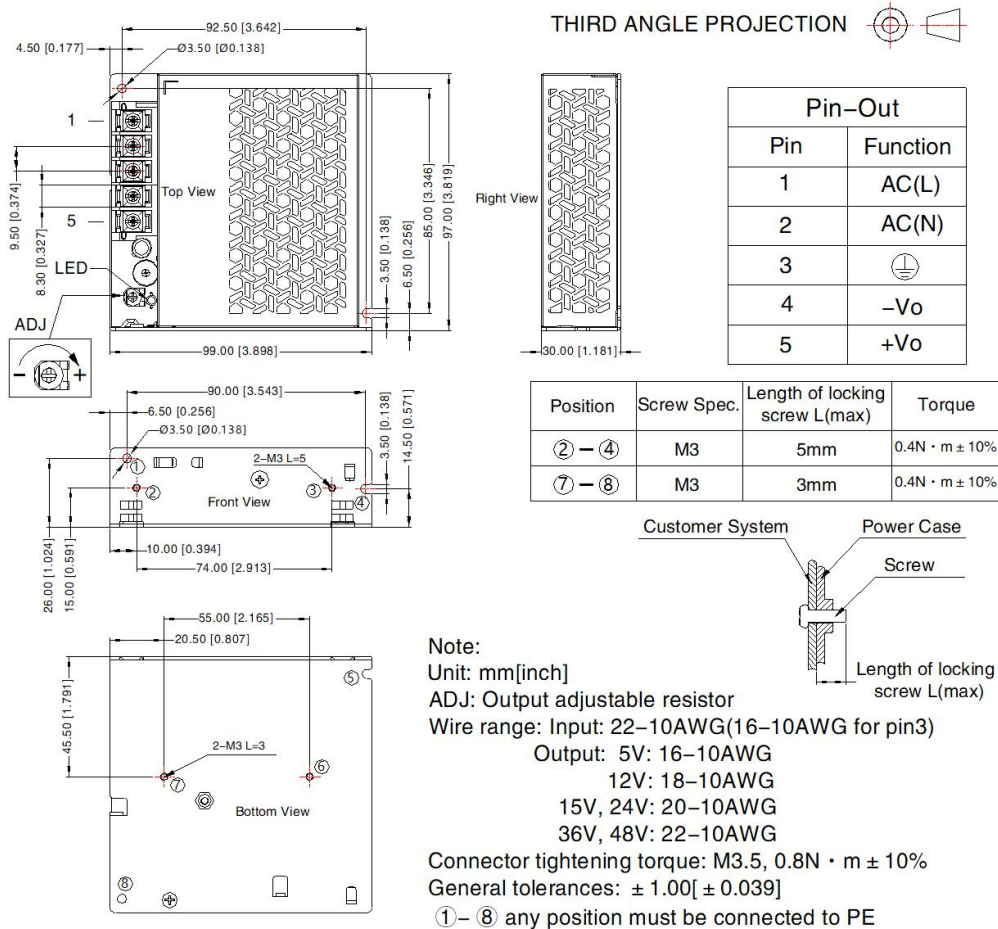
Product Characteristic Curve



- Note: 1. With an AC input voltage between 85 -100VAC and a DC input between 120-140VDC the output power must be derated as per the temperature derating curves;
 2. This product is suitable for applications using natural air cooling; for applications in closed environment please consult Mornsun FAE.



Dimensions and Recommended Layout



Note:

- For additional information on Product Packaging please refer to www.mornsun-power.com. Packaging bag number: 58220721;
- Unless otherwise specified, parameters in this datasheet were measured under the conditions of Ta=25°C, humidity<75%RH with nominal input voltage and rated output load;
- The room temperature derating of 5°C/1000m is needed for operating altitude greater than 2000m;
- All index testing methods in this datasheet are based on our company corporate standards;
- In order to improve the efficiency at high input voltage, there will be audible noise generated, but it does not affect product performance and reliability;
- We can provide product customization service, please contact our technicians directly for specific information;
- Products are related to laws and regulations: see "Features" and "EMC";
- The out case needs to be connected to PE (⊥) of system when the terminal equipment in operating;
- The output voltage can be adjusted by the ADJ, clockwise to increase;
- Our products shall be classified according to ISO14001 and related environmental laws and regulations, and shall be handled by qualified units;
- The power supply is considered a component which will be installed into a final equipment. All EMC tests should be confirmed with the final equipment. Please consult our FAE for EMC test operation instructions.

Mornsun Guangzhou Science & Technology Co., Ltd.

Address: No. 8 Nanyun 4th Road, Huangpu District, Guangzhou, China

Tel: 86-20-38601850

Fax: 86-20-38601272

E-mail: info@mornsun.cn

www.mornsun-power.com