

## PISE-W205C

### Outdoor 150W LED Driver

28V - 37V / 3.1A - 4.2A / 150W

#### Features

- ▶ Dimming Method: 1-10V Dimming
- ▶ Constant Current Control
- ▶ Adjustable Output Current
- ▶ High Efficiency & Active Power Factor Correction
- ▶ Protection : OVP, OPP and OTP
- ▶ EN 61347-1, EN 61347-2-13, EN 62493, K61347-1, K61347-2-13, K62384, KS C 7655, J61347-1, J61347-2-13 Safety Certifications Approved
- ▶ RoHS Compliant



#### Electrical Specifications

| Output [W] | Output [Vdc] | Output [A] | Input [Vac] | Dim. Method | PF   | Efficiency [%] | Mechanical Outline [LxWxH mm] |
|------------|--------------|------------|-------------|-------------|------|----------------|-------------------------------|
| 150        | 28-37        | 3.1-4.2    | 100-240     | 1-10V       | >0.9 | Max. 92        | 228 × 68 × 40                 |

#### Input Specifications

| Parameter                   | Min. | Typ.  | Max. | Unit | Remark                   |
|-----------------------------|------|-------|------|------|--------------------------|
| Input Voltage (Nominal)     | 100  | -     | 240  | Vac  |                          |
| Input Voltage (Performance) | 90   | -     | 264  | Vac  |                          |
| Input Current               | -    | -     | 1.7  | A    | @ AC 100V, 100% Load     |
| Input Wattage               | -    | -     | 170  | W    | @ AC 100V, 100% Load     |
| Nominal Input Frequency     | -    | 50/60 | -    | Hz   |                          |
| Efficiency                  | -    | -     | 92   | %    | @ AC 230V, 100% Load     |
| Power Factor                | 0.9  | -     | -    | -    | @ AC 100-240, 100% Load  |
| THD                         | -    | -     | 20   | %    | @ AC 100-240V, 100% Load |
| Inrush Current              | -    | -     | -    | Apk  |                          |

※ Note : All parameters NOT specially mentioned are measured at rated load and 25 °C of ambient temperature.

## Output Specifications

| Parameter                    | Min. | Typ. | Max.  | Unit | Remark                                 |
|------------------------------|------|------|-------|------|--|
| Output Voltage               | 28   | 36   | 37    | V    |  |
| Output Current Range         | 3.1  | -    | 4.2   | A    | Variable Resistor                      |
| Output Dimming Current Range | 10   | -    | 100   | %    | 1-10V Dimming                          |
| Output Current Tolerance     | -5   | -    | 5     | %    | @ 100% Dimming                         |
| Output Ripple Current        | -    | -    | 20    | %    | = Peak to Peak / rms<br>@ 100% Dimming |
| Output Power                 | -    | 150  | -     | W    |  |
| Start-up Time                | -    | -    | 2,000 | ms   | @ 100% Dimming                         |

## Protection Functions

| Parameter                      | Min. | Typ. | Max. | Unit | Remark                |
|--------------------------------|------|------|------|------|-----------------------|
| Output Over Voltage Protection | -    | -    | 42   | V    | Auto Recovery         |
| Output Over Power Protection   | -    | 200  | -    | W    | Auto Recovery & Latch |
| Output Over Temp. Protection   | -    | 105  | -    | °C   | Decrease Current @ Tc |

## Environmental Specifications

| Parameter   |           | Min. | Typ. | Max. | Unit | Remark    |
|-------------|-----------|------|------|------|------|-----------|
| Temperature | Operation | -40  | -    | 50   | °C   | @ Ta      |
|             |           | -    | -    | 80   | °C   | @ Tc      |
|             | Storage   | -40  | -    | 80   | °C   | @ Ta      |
| Humidity    | Operation | 10   | -    | 90   | %    | -         |
|             | Storage   | -    | -    | 90   | %    | -         |
| Lifetime    |           | 50   | -    | -    | KHrs | @ Tc=75°C |

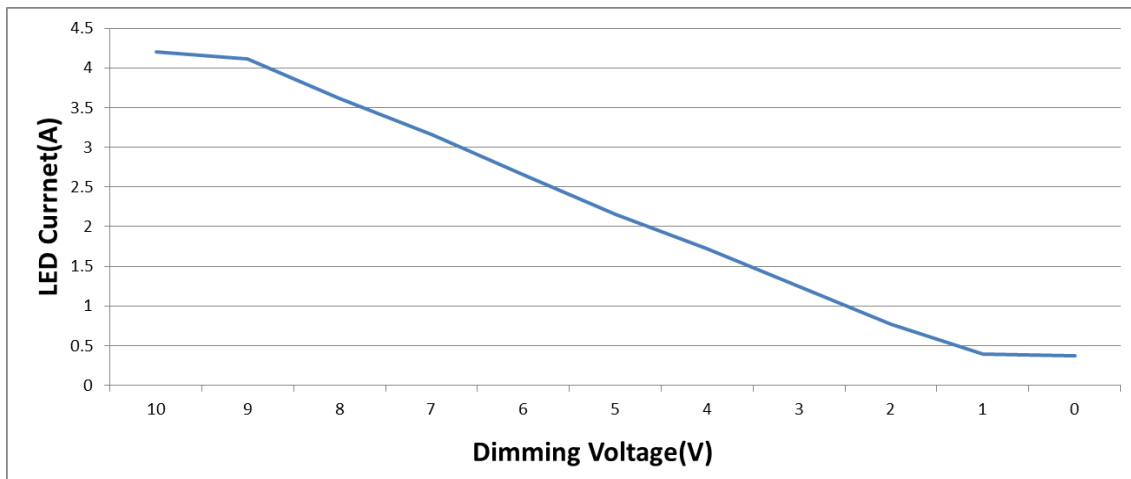
※ Note : All parameters NOT specially mentioned are measured at rated load and 25°C of ambient temperature.

**Standards**

| Parameter           | Condition   | Remark |
|---------------------|---|--------|
| Safety Standards    | Design to meet the requirements as follows ;<br>- CE: EN 61347-1, EN 61347-2-13, EN 62493<br>- KC: K61347-1, K61347-2-13, K62384<br>- KS: KS C 7655<br>- PSE: J61347-1, J61347-2-13               |        |
| EMI / RFI Standards | Design to meet the requirements as follows ;<br>- CE: EN 62493, EN 55015, EN 61547,<br>EN 61000-3-2, EN 61000-3-3<br>- KC: K00015, K61547<br>- KS: KS C CISPR 15, KS C IEC 61547<br>- PSE: J55015 |        |
| Ingress Protection  | - IP65  |        |

**Dimming Control (1-10V Dimming)**

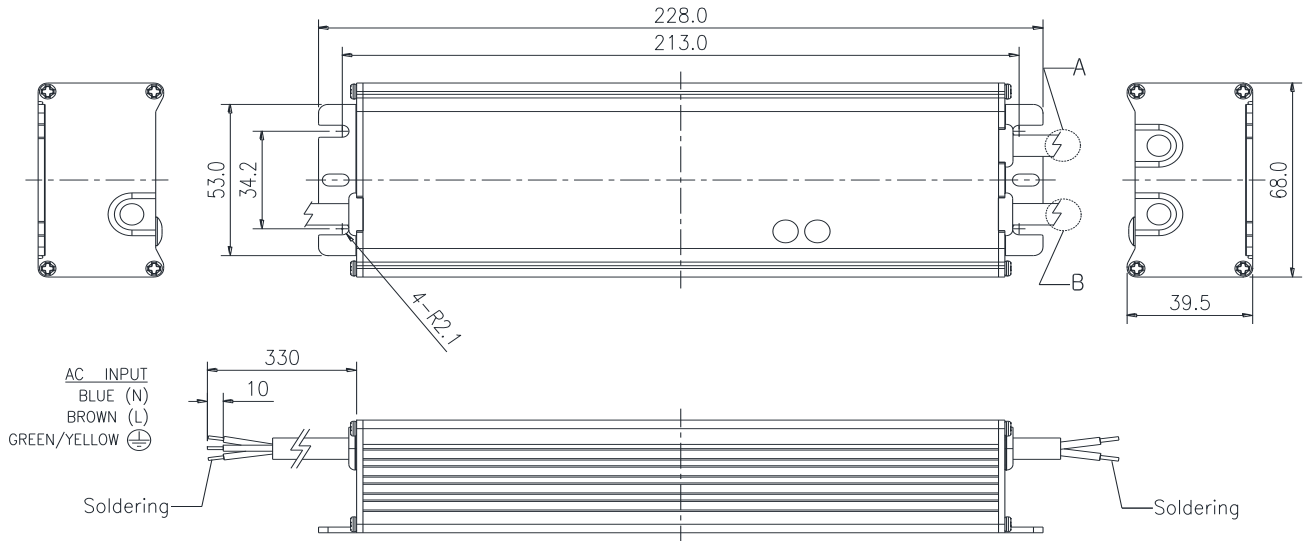
- \* Dimming characteristic: Maximum load over 10V, Minimum load under 1V.
- \* The output is maximum load when the dimming leads are floating by internal full-up resistor.
- \* The output is minimum load when the dimming leads are short.



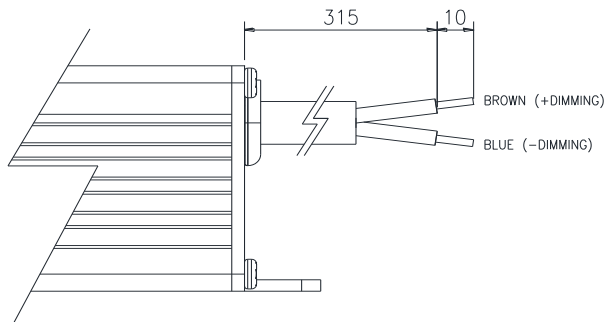
## Mechanical Outline

### 1. Case Dimension

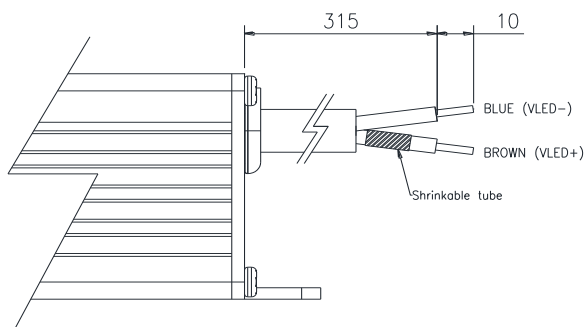
(Unit: mm)



Detail "A"



Detail "B"



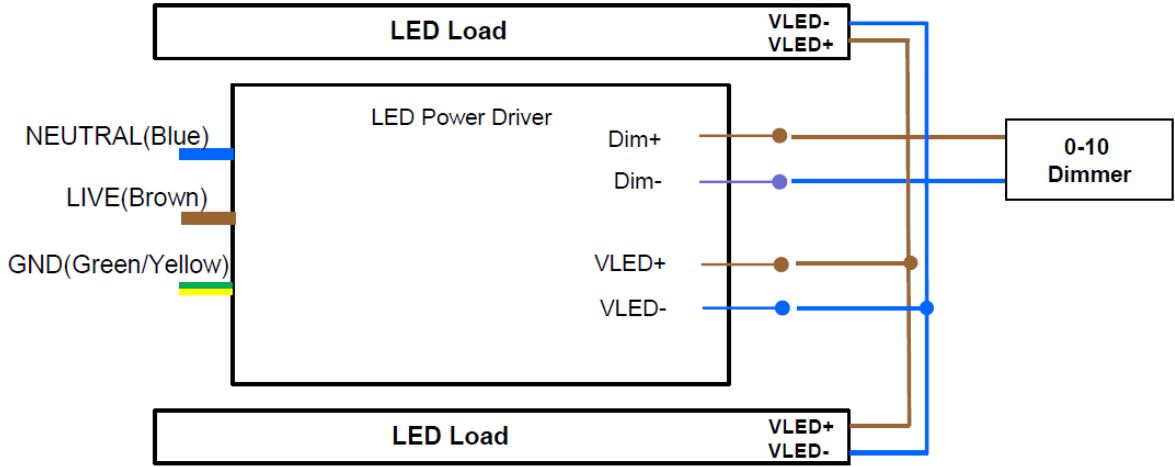
#### WIRE SPECIFICATION

- AC INPUT : HO5RN-F 3G 1.0mm<sup>2</sup>
- DC OUTPUT : HO5RN-F 1.0/2C
- DIMMING : HO5RN-F 1.0/2C

*Datasheet is subject to change without notice.*

## Mechanical Outline

### 2. Connector Description



**Datasheet Revision History**

| Change Date | Rev. No. | Description of Change | Remark |
|-------------|----------|-----------------------|--------|
| 2014/09/26  | 1.0      | - Initial Release     |        |
|             |          |                       |        |