



# T13 Data Sheet

---

DST13-v3.2  
January 2022  
[www.efinixinc.com](http://www.efinixinc.com)



# Contents

<b>Introduction.....</b>	<b>4</b>
<b>Features.....</b>	<b>4</b>
Available Package Options.....	5
<b>Device Core Functional Description.....</b>	<b>5</b>
XLR Cell.....	6
Logic Cell.....	6
Embedded Memory.....	7
Multipliers.....	7
Global Clock Network.....	8
Clock and Control Distribution Network.....	8
Global Clock Location.....	8
<b>Device Interface Functional Description.....</b>	<b>10</b>
Interface Block Connectivity.....	10
General-Purpose I/O Logic and Buffer.....	11
Complex I/O Buffer.....	13
Double-Data I/O.....	14
PLL.....	15
LVDS.....	19
LVDS TX.....	19
LVDS RX.....	21
MIPI.....	22
MIPI TX.....	23
MIPI RX.....	28
D-PHY Timing Parameters.....	33
<b>Power Up Sequence.....</b>	<b>35</b>
Power Supply Current Transient.....	36
<b>Configuration.....</b>	<b>36</b>
Supported Configuration Modes.....	37
Mask-Programmable Memory Option.....	37
<b>DC and Switching Characteristics.....</b>	<b>38</b>
<b>LVDS I/O Electrical and Timing Specifications.....</b>	<b>43</b>
<b>ESD Performance.....</b>	<b>44</b>
<b>MIPI Electrical Specifications and Timing.....</b>	<b>44</b>
MIPI Power-Up Timing.....	46
MIPI Reset Timing.....	46
<b>Configuration Timing.....</b>	<b>47</b>
Maximum $t_{USER}$ for SPI Active and Passive Modes.....	49
<b>PLL Timing and AC Characteristics.....</b>	<b>50</b>
<b>Pinout Description.....</b>	<b>51</b>
<b>Efinity Software Support.....</b>	<b>54</b>
<b>T13 Interface Floorplan.....</b>	<b>55</b>

**Ordering Codes..... 56**  
**Revision History.....57**

# Introduction

The T13 FPGA features the high-density, low-power Efinix® Quantum™ architecture wrapped with an I/O interface for easy integration. With a high I/O to logic ratio and differential I/O support, T13 FPGAs supports a variety of applications that need wide I/O connectivity. The T13 also includes a MIPI D-PHY with a built-in, royalty-free CSI-2 controller, which is the most popular camera interface used in the mobile industry. The carefully tailored combination of core resources and I/O provides enhanced capability for applications such as embedded vision, voice and gesture recognition, intelligent sensor hubs, power management, and LED drivers.

## Features

- High-density, low-power Quantum™ architecture
- Built on SMIC 40 nm process
- Core leakage current as low as 6.8 mA<sup>(1)</sup>
- FPGA interface blocks
  - GPIO
  - PLL
  - LVDS 800 Mbps per lane with up to 13 TX pairs and 13 RX pairs
  - MIPI DPHY with CSI-2 controller hard IP, 1.5 Gbps per lane
- Programmable high-performance I/O
  - Supports 1.8, 2.5, and 3.3 V single-ended I/O standards and interfaces
- Flexible on-chip clocking
  - 16 low-skew global clock signals can be driven from off-chip external clock signals or PLL synthesized clock signals
  - PLL support
- Flexible device configuration
  - Standard SPI interface (active, passive, and daisy chain)
  - JTAG interface
  - Optional Mask Programmable Memory (MPM) capability
- Fully supported by the Efinity® software, an RTL-to-bitstream compiler

*Table 1: T13 FPGA Resources*

LEs <sup>(2)</sup>	Global Clock Networks	Global Control Networks	Embedded Memory (kbits)	Embedded Memory Blocks (5 Kbits)	Embedded Multipliers
12,828	Up to 16	Up to 16	727.04	142	24

<sup>(1)</sup> Typical leakage current for BGA256 package only.

<sup>(2)</sup> Logic capacity in equivalent LE counts.

**Table 2: T13 Package-Dependent Resources**

Resource	BGA169	BGA256
Available GPIO <sup>(3)</sup>	73	195
Global clocks from GPIO pins	4	16
Global controls from GPIO pins	3	16
PLLs	5	5
LVDS	8 TX pairs 12 RX pairs	13 TX pairs 13 RX pairs
MIPI DPHY with CSI-2 controller (4 data lanes, 1 clock lane)	2 TX instances 2 RX instances	-



**Learn more:** Refer to the [Trion Packaging User Guide](#) for the package outlines and markings.

## Available Package Options

**Table 3: Available Packages**

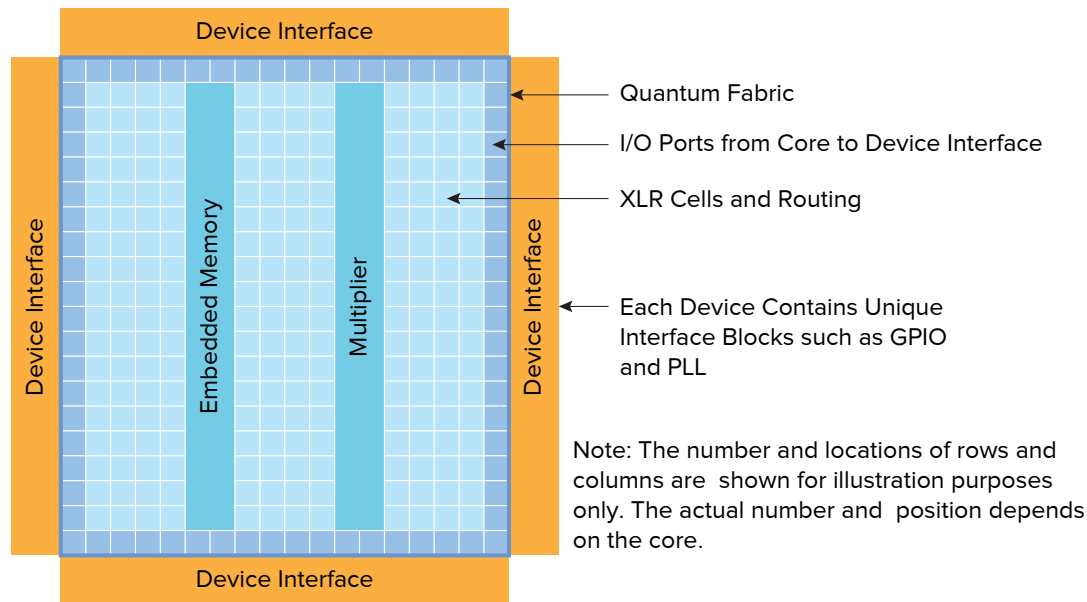
Package	Dimensions (mm x mm)	Pitch (mm)
169-ball FBGA	9 x 9	0.65
256-ball FBGA	13 x 13	0.8

## Device Core Functional Description

T13 FPGAs feature an eXchangeable Logic and Routing (XLR) cell that Efinix has optimized for a variety of applications. Trion® FPGAs contain three building blocks constructed from XLR cells: logic elements, embedded memory blocks, and multipliers. Each FPGA in the Trion® family has a custom number of building blocks to fit specific application needs. As shown in the following figure, the FPGA includes I/O ports on all four sides, as well as columns of XLR cells, memory, and multipliers. A control block within the FPGA handles configuration.

<sup>(3)</sup> The LVDS I/O pins are dual-purpose. The full number of GPIO are available when all LVDS I/O pins are in GPIO mode. GPIO and LVDS as GPIO supports different features. See [Table 9: Supported Features for GPIO and LVDS as GPIO](#) on page 12.

Figure 1: T13 FPGA Block Diagram



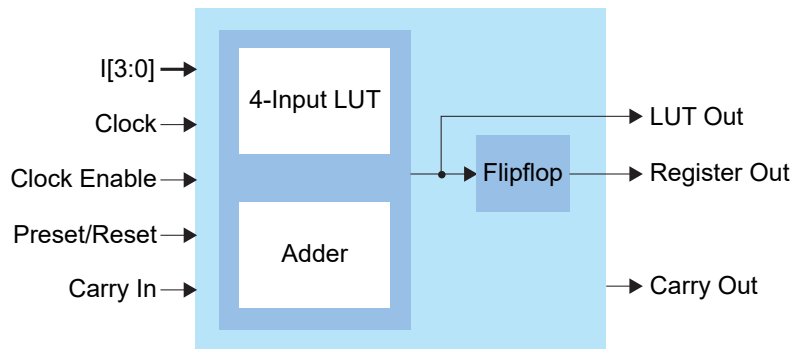
## XLR Cell

The eXchangeable Logic and Routing (XLR) cell is the basic building block of the Quantum™ architecture. The Efinix XLR cell combines logic and routing and supports both functions interchangeably. This unique innovation greatly enhances the transistor flexibility and utilization rate, thereby reducing transistor counts and silicon area significantly.

## Logic Cell

The logic cell comprises a 4-input LUT or a full adder plus a register (flipflop). You can program each LUT as any combinational logic function with four inputs. You can configure multiple logic cells to implement arithmetic functions such as adders, subtractors, and counters.

Figure 2: Logic Cell Block Diagram



## Embedded Memory

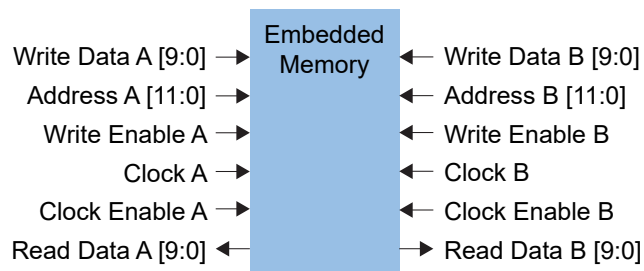
The core has 5-kbit high-speed, synchronous, embedded SRAM memory blocks. Memory blocks can operate as single-port RAM, simple dual-port RAM, true dual-port RAM, FIFOs, or ROM. You can initialize the memory content during configuration. The Efinity<sup>®</sup> software includes a memory cascading feature to connect multiple blocks automatically to form a larger array. This feature enables you to instantiate deeper or wider memory modules.

The memory read and write ports have the following modes for addressing the memory (depth x width):

256 x 16	1024 x 4	4096 x 1	512 x 10
512 x 8	2048 x 2	256 x 20	1024 x 5

The read and write ports support independently configured data widths.

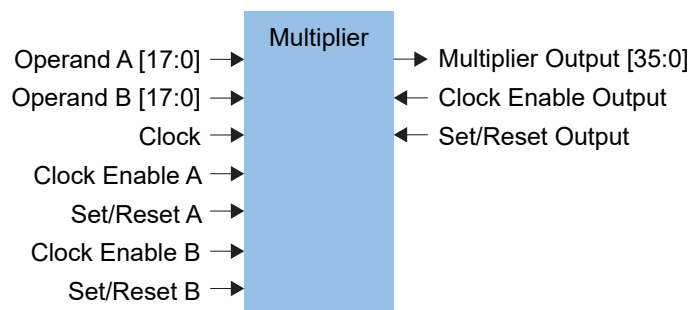
*Figure 3: Embedded Memory Block Diagram (True Dual-Port Mode)*



## Multipliers

The FPGA has high-performance multipliers that support 18 x 18 fixed-point multiplication. Each multiplier takes two signed 18-bit input operands and generates a signed 36-bit output product. The multiplier has optional registers on the input and output ports.

*Figure 4: Multiplier Block Diagram*

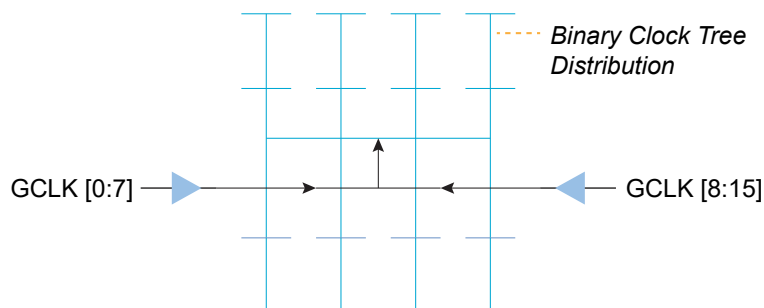


## Global Clock Network

The Quantum™ core fabric supports up to 16 global clock (GCLK) signals feeding 16 pre-built global clock networks. Global clock pins (GPIO), PLL outputs, and core-generated clocks can drive the global clock network

The global clock networks are balanced clock trees that feed all FPGA modules. Each network has dedicated clock-enable logic to save power by disabling the clock tree at the root. The logic dynamically enables/disables the network and guarantees no glitches at the output.

**Figure 5: Global Clock Network**



### Clock and Control Distribution Network

The global clock network is distributed through the device to provide clocking for the core's LEs, memory, multipliers, and I/O blocks. Designers can access the T13 global clock network using the global clock GPIO pins, PLL outputs, and core-generated clocks. Similarly, the T13 has GPIO pins (the number varies by package) that the designer can configure as control inputs to access the high-fanout network connected to the LE's set, reset, and clock enable signals.



**Learn more:** Refer to the [T13 Pinout](#) for information on the location and names of these pins.

### Global Clock Location

The following tables describe the location of the global clock signals in T13 FPGAs.

**Table 4: Left Clock Input from GPIO Pins**

Function Name	Resource Name	GCLK[0]	GCLK[1]	GCLK[2]	GCLK[3]	GCLK[4]	GCLK[5]	GCLK[6]	GCLK[7]
CLK0	GPIOL_24	✓	-	-	-	✓	-	-	-
CLK1	GPIOL_25	-	✓	-	-	-	✓	-	-
CLK2	GPIOL_26	-	-	✓	-	-	-	✓	-
CLK3	GPIOL_27	-	-	-	✓	-	-	-	✓
CLK4	GPIOL_28	✓	-	-	-	✓	-	-	-
CLK5	GPIOL_29	-	✓	-	-	-	✓	-	-
CLK6	GPIOL_30	-	-	✓	-	-	-	✓	-
CLK7	GPIOL_31	-	-	-	✓	-	-	-	✓



Table 5: Left Clock from PLL OUTCLK Signal

PLL Reference	CLKOUT	GCLK[0]	GCLK[1]	GCLK[2]	GCLK[3]	GCLK[4]	GCLK[5]	GCLK[6]	GCLK[7]
PLL_TL0	CLKOUT0	✓	-	-	-	-	-	✓	-
	CLKOUT1	-	✓	✓	-	-	-	-	-
	CLKOUT2	-	✓	✓	-	-	-	-	-
PLL_TL1	CLKOUT0	-	-	-	✓	-	-	-	✓
	CLKOUT1	-	-	-	-	✓	✓	-	-
	CLKOUT2	-	-	-	-	✓	✓	-	-

Table 6: Right Clock Input from GPIO Pins

Function Name	Resource Name	GCLK[8]	GCLK[9]	GCLK[10]	GCLK[11]	GCLK[12]	GCLK[13]	GCLK[14]	GCLK[15]
CLK0	GPIOR_127	✓	-	-	-	✓	-	-	-
CLK1	GPIOR_126	-	✓	-	-	-	✓	-	-
CLK2	GPIOR_125	-	-	✓	-	-	-	✓	-
CLK3	GPIOR_124	-	-	-	✓	-	-	-	✓
CLK4	GPIOR_123	✓	-	-	-	✓	-	-	-
CLK5	GPIOR_122	-	✓	-	-	-	✓	-	-
CLK6	GPIOR_121	-	-	✓	-	-	-	✓	-
CLK7	GPIOR_120	-	-	-	✓	-	-	-	✓

Table 7: Right Clock from PLL OUTCLK Signal

PLL Reference	CLKOUT	GCLK[8]	GCLK[9]	GCLK[10]	GCLK[11]	GCLK[12]	GCLK[13]	GCLK[14]	GCLK[15]
PLL_TR0	CLKOUT0	✓	-	-	-	-	-	✓	-
	CLKOUT1	-	✓	✓	-	-	-	-	-
	CLKOUT2	-	✓	✓	-	-	-	-	-
PLL_TR1	CLKOUT0	-	-	-	✓	-	-	-	✓
	CLKOUT1	-	-	-	-	✓	✓	-	-
	CLKOUT2	-	-	-	-	✓	✓	-	-
PLL_BR0	CLKOUT0	✓	-	-	-	-	-	-	✓
	CLKOUT1	-	✓	✓	-	-	-	-	-
	CLKOUT2	-	✓	✓	-	-	-	-	-

# Device Interface Functional Description

The device interface wraps the core and routes signals between the core and the device I/O pads through a signal interface. Because they use the flexible Quantum™ architecture, devices in the Trion® family support a variety of interfaces to meet the needs of different applications.



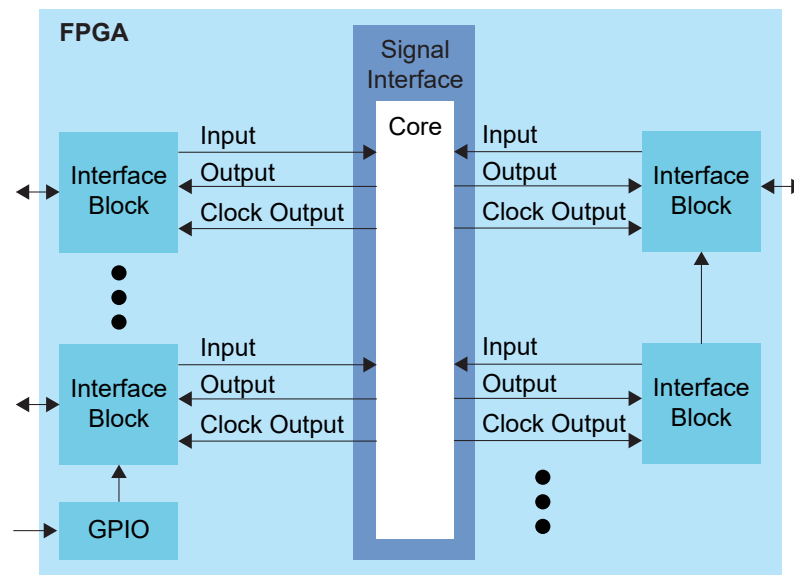
**Learn more:** The following sections describe the available device interface features in T13 FPGAs. Refer to the [Trion® Interfaces User Guide](#) for details on the Efinity® Interface Designer settings.

## Interface Block Connectivity

The FPGA core fabric connects to the interface blocks through a signal interface. The interface blocks then connect to the package pins. The core connects to the interface blocks using three types of signals:

- *Input*—Input data or clock to the FPGA core
- *Output*—Output from the FPGA core
- *Clock output*—Clock signal from the core clock tree

Figure 6: Interface Block and Core Connectivity



GPIO blocks are a special case because they can operate in several modes. For example, in alternate mode the GPIO signal can bypass the signal interface and directly feed another interface block. So a GPIO configured as an alternate input can be used as a PLL reference clock without going through the signal interface to the core.

When designing for Trion® FPGAs, you create an RTL design for the core and also configure the interface blocks. From the perspective of the core, outputs from the core are inputs to the interface block and inputs to the core are outputs from the interface block.

The Efinity netlist always shows signals from the perspective of the core, so some signals do not appear in the netlist:

- GPIO used as reference clocks are not present in the RTL design, they are only visible in the interface block configuration of the Efinity® Interface Designer.

- The FPGA clock tree is connected to the interface blocks directly. Therefore, clock outputs from the core to the interface are not present in the RTL design, they are only part of the interface configuration (this includes GPIO configured as output clocks).

The following sections describe the different types of interface blocks in the T13. Signals and block diagrams are shown from the perspective of the interface, not the core.

## General-Purpose I/O Logic and Buffer

The GPIO support the 3.3 V LVTTL and 1.8 V, 2.5 V, and 3.3 V LVCMOS I/O standards. The GPIOs are grouped into banks. Each bank has its own VCCIO that sets the bank voltage for the I/O standard.

Each GPIO consists of I/O logic and an I/O buffer. I/O logic connects the core logic to the I/O buffers. I/O buffers are located at the periphery of the device.

The I/O logic comprises three register types:

- *Input*—Capture interface signals from the I/O before being transferred to the core logic
- *Output*—Register signals from the core logic before being transferred to the I/O buffers
- *Output enable*—Enable and disable the I/O buffers when I/O used as output

**Table 8: GPIO Modes**

GPIO Mode	Description
Input	Only the input path is enabled; optionally registered. If registered, the input path uses the input clock to control the registers (positively or negatively triggered). Select the alternate input path to drive the alternate function of the GPIO. The alternate path cannot be registered. In DDIO mode, two registers sample the data on the positive and negative edges of the input clock, creating two data streams.
Output	Only the output path is enabled; optionally registered. If registered, the output path uses the output clock to control the registers (positively or negatively triggered). The output register can be inverted. In DDIO mode, two registers capture the data on the positive and negative edges of the output clock, multiplexing them into one data stream.
Bidirectional	The input, output, and OE paths are enabled; optionally registered. If registered, the input clock controls the input register, the output clock controls the output and OE registers. All registers can be positively or negatively triggered. Additionally, the input and output paths can be registered independently. The output register can be inverted.
Clock output	Clock output path is enabled.

**Table 9: Supported Features for GPIO and LVDS as GPIO**

LVDS as GPIO are LVDS pins that act as GPIOs instead of the LVDS function.

Package	GPIO	LVDS as GPIO
BGA169 BGA256	DDIO Schmitt Trigger Variable Drive Strength Pull-up Pull-down Slew Rate	Pull-up



**Important:** Efinix® recommends that you limit the number of LVDS as GPIO set as output and bidirectional to 16 per bank to avoid switching noise. The Efinity software issues a warning if you exceed the recommended limit.

During configuration, all GPIO pins excluding LVDS as GPIO are configured in weak pull-up mode.

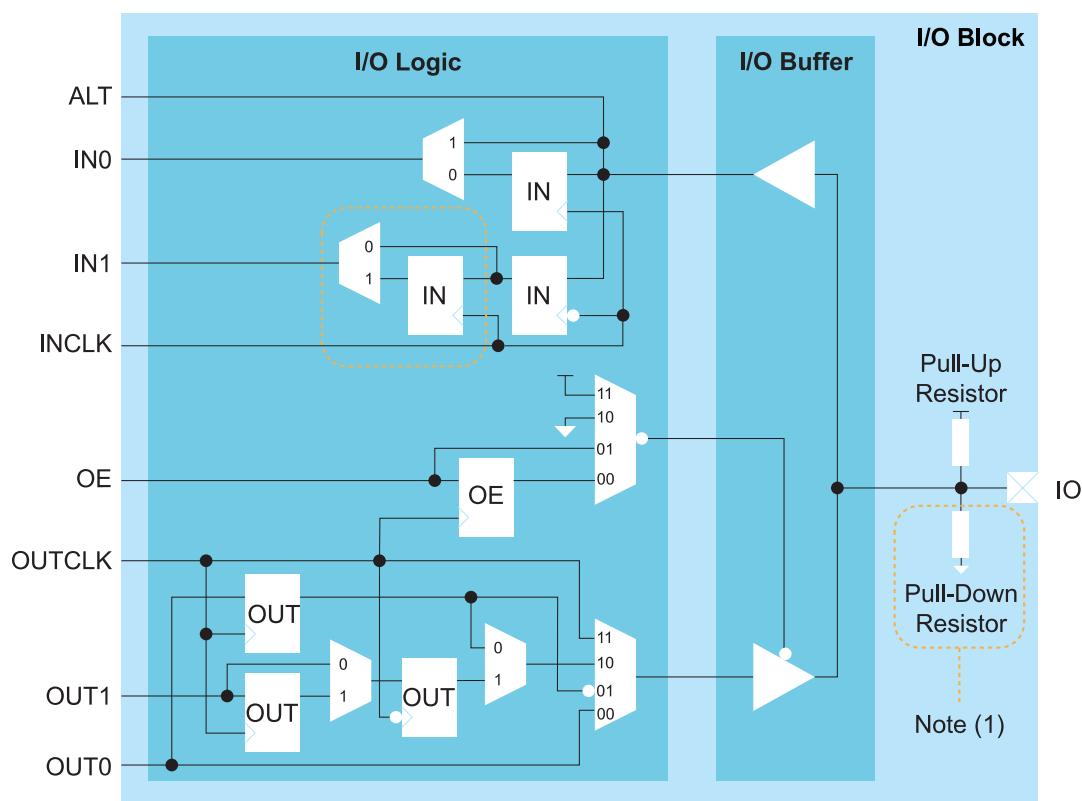
During user mode, unused GPIO pins are tri-stated and configured in weak pull-up mode. You can change the default mode to weak pull-down in the Interface Designer.



**Note:** Refer to [Table 45: Single-Ended I/O Buffer Drive Strength Characteristics](#) on page 40 for more information.

## Complex I/O Buffer

Figure 7: I/O Interface Block



1. GPIO pins using LVDS resources do not have a pull-down resistor.



**Note:** LVDS as GPIO do not have double data I/O (DDIO).

Table 10: GPIO Signals (Interface to FPGA Fabric)

Signal	Direction	Description
IN[1:0]	Output	Input data from the GPIO pad to the core fabric. IN0 is the normal input to the core. In DDIO mode, IN0 is the data captured on the positive clock edge (HI pin name in the Interface Designer) and IN1 is the data captured on the negative clock edge (LO pin name in the Interface Designer).
ALT	Output	Alternative input connection (in the Interface Designer, <b>Register Option is none</b> ). Alternative connections are GCLK, GCTRL, PLL_CLKIN, MIPI_CLKIN. <sup>(4)</sup>
OUT[1:0]	Input	Output data to GPIO pad from the core fabric. OUT0 is the normal output from the core. In DDIO mode, OUT0 is the data captured on the positive clock edge (HI pin name in the Interface Designer) and OUT1 is the data captured on the negative clock edge (LO pin name in the Interface Designer).
OE	Input	Output enable from core fabric to the I/O block. Can be registered.
OUTCLK	Input	Core clock that controls the output and OE registers. This clock is not visible in the user netlist.
INCLK	Input	Core clock that controls the input registers. This clock is not visible in the user netlist.

<sup>(4)</sup> MIPI\_CLKIN is only available in packages that support MIPI.

Table 11: GPIO Pads

Signal	Direction	Description
IO	Bidirectional	GPIO pad.

### Double-Data I/O

T13 FPGAs support double data I/O (DDIO) on certain input and output registers. In this mode, the DDIO register captures data on both positive and negative clock edges. The core receives 2 bit wide data from the interface.

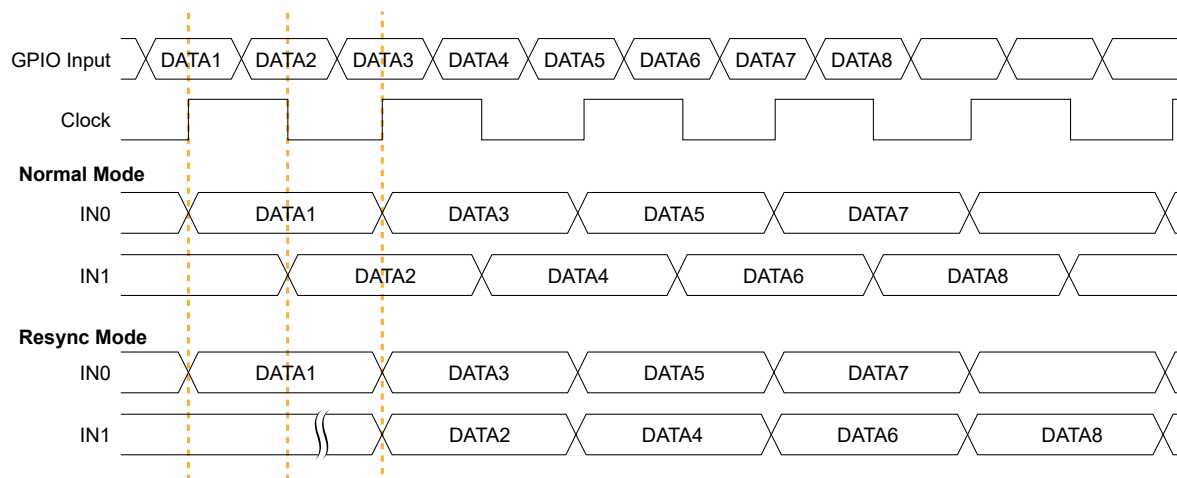
In normal mode, the interface receives or sends data directly to or from the core on the positive and negative clock edges. In resync mode, the interface resynchronizes the data to pass both signals on the positive clock edge only.

Not all GPIO support DDIO; additionally, LVDS as GPIO (that is, single ended I/O) do not support DDIO functionality.



**Note:** The Resource Assigner in the Efinity® Interface Designer shows which GPIO support DDIO.

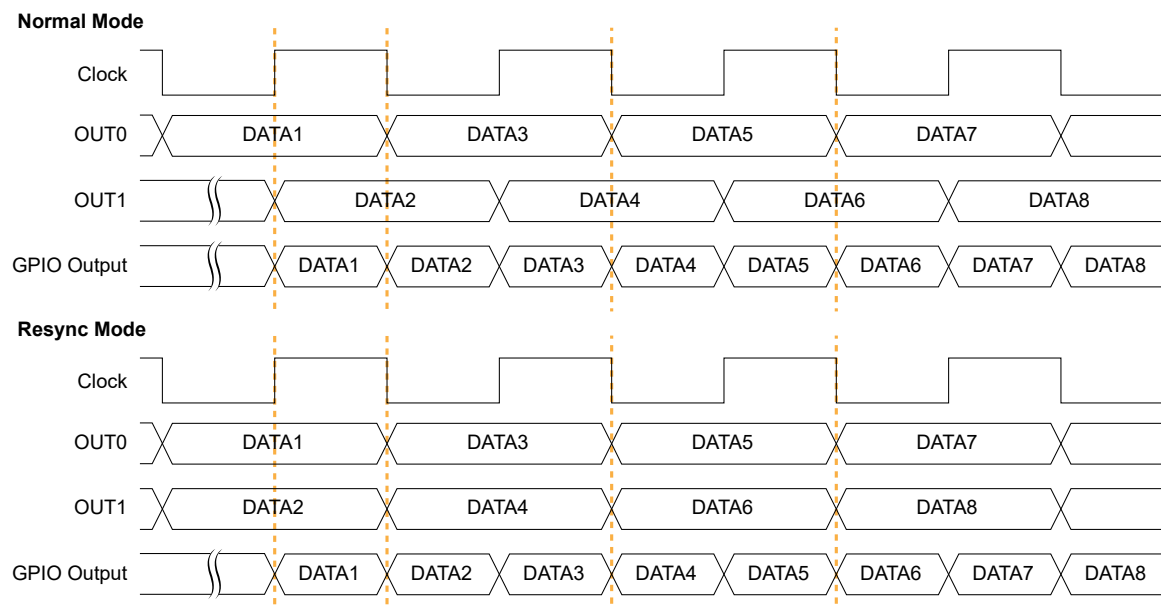
Figure 8: DDIO Input Timing Waveform



In resync mode, the IN1 data captured on the falling clock edge is delayed one half clock cycle.

In the Interface Designer, IN0 is the HI pin name and IN1 is the LO pin name.

Figure 9: DDIO Output Timing Waveform



In the Interface Designer, OUT0 is the HI pin name and OUT1 is the LO pin name.

## PLL

The T13 has 5 available PLLs to synthesize clock frequencies.

You can use the PLL to compensate for clock skew/delay via external or internal feedback to meet timing requirements in advanced application. The PLL reference clock has up to four sources. You can dynamically select the PLL reference clock with the CLKSEL port. (Hold the PLL in reset when dynamically selecting the reference clock source.)

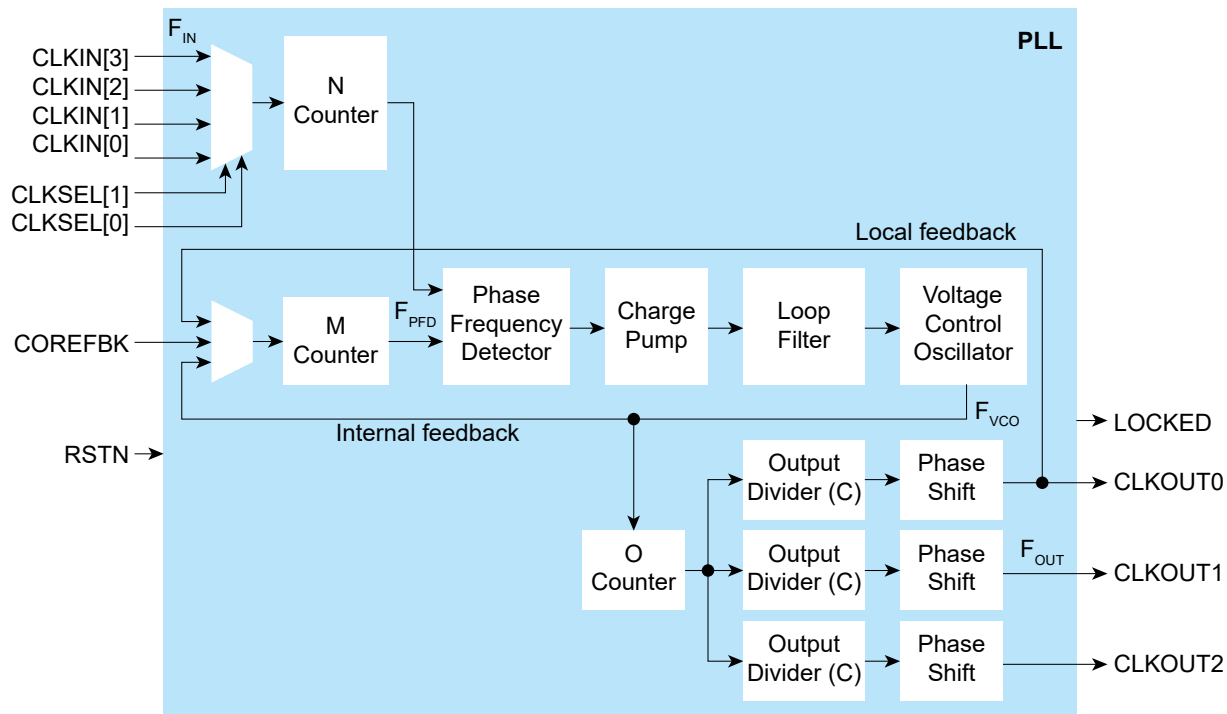
One of the PLLs can use an LVDS RX buffer to input its reference clock.

The PLL consists of a pre-divider counter (N counter), a feedback multiplier counter (M counter), a post-divider counter (O counter), and output divider.



**Note:** Refer to [T13 Interface Floorplan](#) on page 55 for the location of the PLLs on the die. Refer to [Table 73: General Pinouts](#) on page 51 for the PLL reference clock resource assignment.

Figure 10: PLL Block Diagram

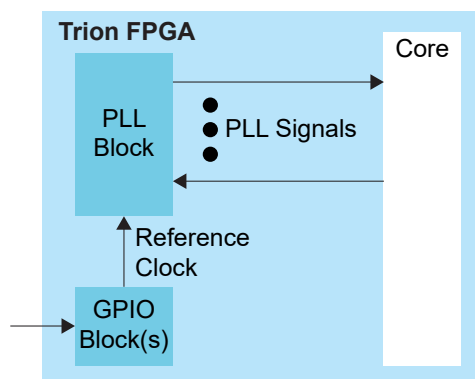


The counter settings define the PLL output frequency:

Internal Feedback Mode	Local and Core Feedback Mode	Where:
$F_{PFD} = F_{IN} / N$ $F_{VCO} = F_{PFD} \times M$ $F_{OUT} = (F_{IN} \times M) / (N \times O \times C)$	$F_{PFD} = F_{IN} / N$ $F_{VCO} = (F_{PFD} \times M \times O \times C_{FBK})^{(5)}$ $F_{OUT} = (F_{IN} \times M \times C_{FBK}) / (N \times C)$	$F_{VCO}$ is the voltage control oscillator frequency $F_{OUT}$ is the output clock frequency $F_{IN}$ is the reference clock frequency $F_{PFD}$ is the phase frequency detector input frequency $C$ is the output divider

**Note:**  $F_{IN}$  must be within the values stated in [PLL Timing and AC Characteristics](#) on page 50.

Figure 11: PLL Interface Block Diagram



<sup>(5)</sup>  $(M \times O \times C_{FBK})$  must be  $\leq 255$ .



**Table 12: PLL Signals (Interface to FPGA Fabric)**

Signal	Direction	Description
CLKIN[3:0]	Input	Reference clocks driven by I/O pads or core clock tree.
CLKSEL[1:0]	Input	You can dynamically select the reference clock from one of the clock in pins.
RSTN	Input	Active-low PLL reset signal. When asserted, this signal resets the PLL; when de-asserted, it enables the PLL. Connect this signal in your design to power up or reset the PLL. Assert the RSTN pin for a minimum pulse of 10 ns to reset the PLL. Assert RSTN when dynamically changing the selected PLL reference clock.
COREFBK	Input	Connect to a clock out interface pin when the the PLL feedback mode is set to core.
CLKOUT0 CLKOUT1 CLKOUT2	Output	PLL output. The designer can route these signals as input clocks to the core's GCLK network.
LOCKED	Output	Goes high when PLL achieves lock; goes low when a loss of lock is detected. Connect this signal in your design to monitor the lock status.

**Table 13: PLL Interface Designer Settings - Properties Tab**

Parameter	Choices	Notes
Instance Name	User defined	
PLL Resource		The resource listing depends on the FPGA you choose.
Clock Source	External	PLL reference clock comes from an external pin.
	Dynamic	PLL reference clock comes from an external pin or the core, and is controlled by the clock select bus.
	Core	PLL reference clock comes from the core.
Automated Clock Calculation		Pressing this button launches the PLL Clock Calculation window. The calculator helps you define PLL settings in an easy-to-use graphical interface.

**Table 14: PLL Interface Designer Settings - Manual Configuration Tab**

Parameter	Choices	Notes
Reset Pin Name	User defined	
Locked Pin Name	User defined	
Feedback Mode	Internal	PLL feedback is internal to the PLL resulting in no known phase relationship between clock in and clock out.
	Local	PLL feedback is local to the PLL. Aligns the clock out phase with clock in.
	Core	PLL feedback is from the core. The feedback clock is defined by the COREFBK connection, and must be one of the three PLL output clocks. Aligns the clock out phase with clock in and removes the core clock delay.
Reference clock Frequency (MHz)	User defined	
Multiplier (M)	1 - 255 (integer)	M counter.
Pre Divider (N)	1 - 15 (integer)	N counter.
Post Divider (O)	1, 2, 4, 8	O counter.
Clock 0, Clock 1, Clock 2	On, off	Use these checkboxes to enable or disable clock 0, 1, and 2.
Pin Name	User defined	Specify the pin name for clock 0, 1, or 2.
Divider (C)	1 to 256	Output divider.
Phase Shift (Degree)	0, 45, 90, 135, 180, or 270	Phase shift CLKOUT by 0, 45, 90, 135, 180, or 270 degrees. 180, and 270 require the C divider to be 2. 45 and 135 require the C divider to be 4. 90 requires the C divider to be 2 or 4. To phase shift 225 degrees, select 45 and invert the clock at the destination. To phase shift 315 degrees, select 135 and invert the clock at the destination.
Use as Feedback	On, off	

**Table 15: PLL Reference Clock Resource Assignments (BGA169 and BGA256)**

PLL	REFCLK1	REFCLK2
PLL_BR0 <sup>(6)</sup>	Differential: GPIOB_CLKP0, GPIOB_CLKN0 Single Ended: GPIOB_CLKP0	GPIOR_157_PLLIN
PLL_TR0	GPIOR_76_PLLIN0	GPIOR_77_PLLIN1
PLL_TR1	GPIOR_76_PLLIN0	GPIOR_77_PLLIN1
PLL_TL0	GPIOL_74_PLLIN0	GPIOL_75_PLLIN1
PLL_TL1	GPIOL_74_PLLIN0	GPIOL_75_PLLIN1

<sup>(6)</sup> PLL\_BR0 can be used as the PHY clock for DDR DRAM block.

## LVDS

The LVDS hard IP transmitters and receivers operate independently.

- LVDS TX consists of LVDS transmitter and serializer logic.
- LVDS RX consists of LVDS receiver, on-die termination, and de-serializer logic.

The T13 has one PLL for use with the LVDS receiver.



**Note:** You can use the LVDS TX and LVDS RX channels as 3.3 V single-ended GPIO pins, which support a weak pull-up but do not support a Schmitt trigger or variable drive strength. When using LVDS as GPIO, make sure to leave at least 2 pairs of unassigned LVDS pins between any GPIO and LVDS pins in the same bank. This separation reduces noise. The Efinity software issues an error if you do not leave this separation.

The LVDS hard IP has these features:

- Dedicated LVDS TX and RX channels (the number of channels is package dependent), and one dedicated LVDS RX clock
- Up to 800 Mbps for LVDS data transmit or receive
- Supports serialization and deserialization factors: 8:1, 7:1, 6:1, 5:1, 4:1, 3:1, and 2:1
- Ability to disable serialization and deserialization
- Source synchronous clock output edge-aligned with data for LVDS transmitter and receiver
- 100  $\Omega$  on-die termination resistor for the LVDS receiver



**Note:** The LVDS RX supports the sub-lvds, slvs, HiVcm, RSDS and 3.3 V LVPECL differential I/O standards with a transfer rate of up to 800 Mbps.

### LVDS TX

Figure 12: LVDS TX Interface Block Diagram

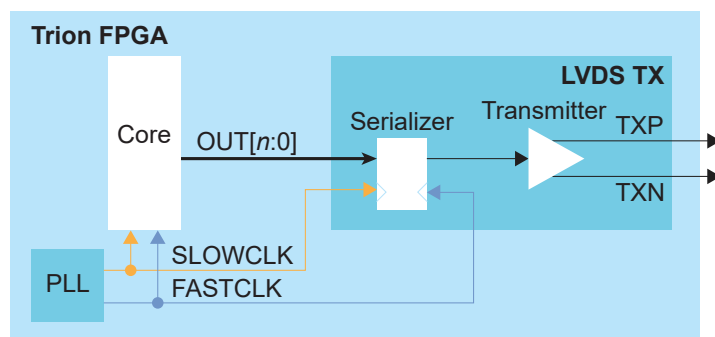


Table 16: LVDS TX Signals (Interface to FPGA Fabric)

Signal	Direction	Notes
OUT[n-1:0]	Input	Parallel output data where $n$ is the serialization factor. A width of 1 bypasses the serializer.
FASTCLK	Input	Fast clock to serialize the data to the LVDS pads.
SLOWCLK	Input	Slow clock to latch the incoming data from the core.

Table 17: LVDS TX Pads

Pad	Direction	Description
TXP	Output	Differential P pad.
TXN	Output	Differential N pad.

The following waveform shows the relationship between the fast clock, slow clock, TX data going to the pad, and byte-aligned data from the core.

Figure 13: LVDS Timing Example Serialization Width of 8

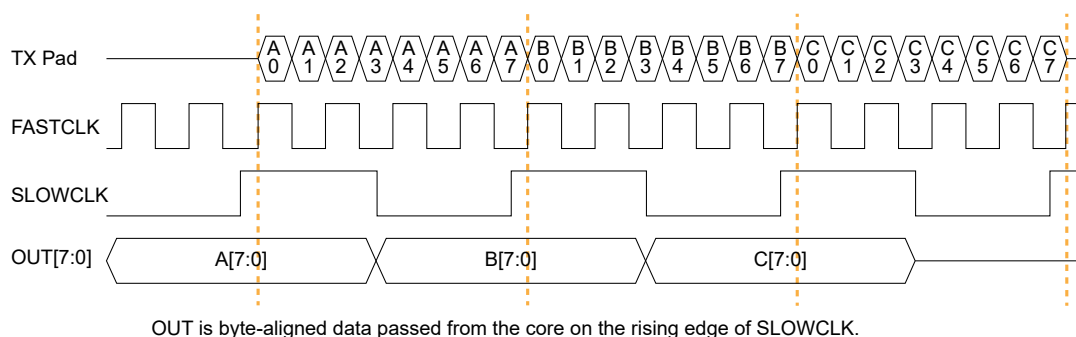


Figure 14: LVDS Timing Data and Clock Relationship Width of 8 (Parallel Clock Division=1)

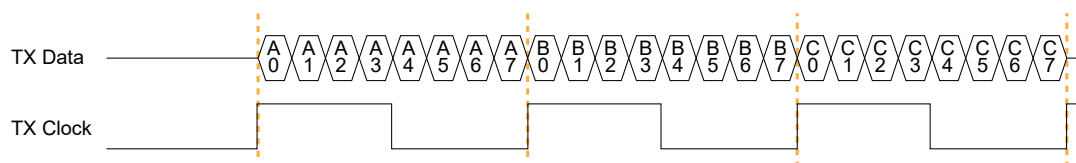


Figure 15: LVDS Timing Data and Clock Relationship Width of 7 (Parallel Clock Division=1)

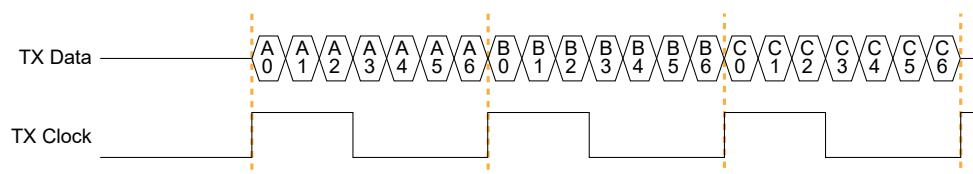
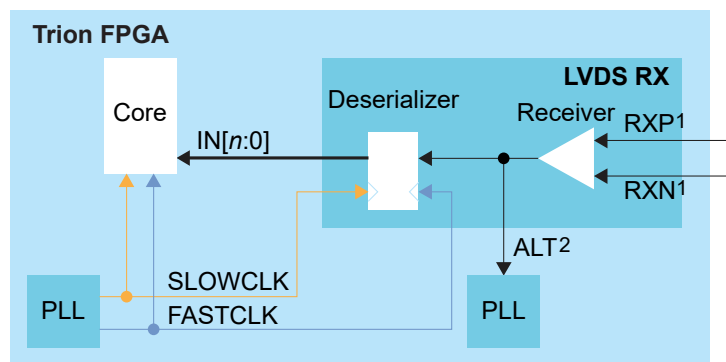


Table 18: LVDS TX Settings in Efinity® Interface Designer

Parameters	Choices	Notes
Mode	serial data output or reference clock output	<b>serial data output</b> —Simple output buffer or serialized output. <b>reference clock output</b> —Use the transmitter as a clock output. When choosing this mode, the <b>Serialization Width</b> you choose should match the serialization for the rest of the LVDS bus.
Parallel Clock Division	1, 2	<b>1</b> —The output clock from the LVDS TX lane is parallel clock frequency. <b>2</b> —The output clock from the TX lane is half of the parallel clock frequency.
Enable Serialization	On or off	When off, the serializer is bypassed and the LVDS buffer is used as a normal output.
Serialization Width	2, 3, 4, 5, 6, 7, or 8	Supports 8:1, 7:1, 6:1, 5:1, 4:1, 3:1, and 2:1.
Reduce VOD Swing	On or off	When true, enables reduced output swing (similar to slow slew rate).
Output Load	3 (default), 5, 7, or 10	Output load in pF.

## LVDS RX

Figure 16: LVDS RX Interface Block Diagram



1. There is a ~30k  $\Omega$  internal weak pull-up to VCCIO (3.3V).
2. Only available for an LVDS RX resource in bypass mode (deserialization width is 1).

Table 19: LVDS RX Signals (Interface to FPGA Fabric)

Signal	Direction	Notes
IN[n-1:0]	Output	Parallel input data where $n$ is the de-serialization factor. A width of 1 bypasses the deserializer.
ALT	Output	Alternative input, only available for an LVDS RX resource in bypass mode (deserialization width is 1; alternate connection type). Alternative connections are PLL_CLKIN and PLL_EXTFB.
FASTCLK	Input	Fast clock to de-serialize the data from the LVDS pads.
SLOWCLK	Input	Slow clock to latch the incoming data to the core.

Table 20: LVDS RX Pads

Pad	Direction	Description
RXP	Input	Differential P pad.
RXN	Input	Differential N pad.

The following waveform shows the relationship between the fast clock, slow clock, RX data coming in from the pad, and byte-aligned data to the core.

Figure 17: LVDS RX Timing Example Serialization Width of 8

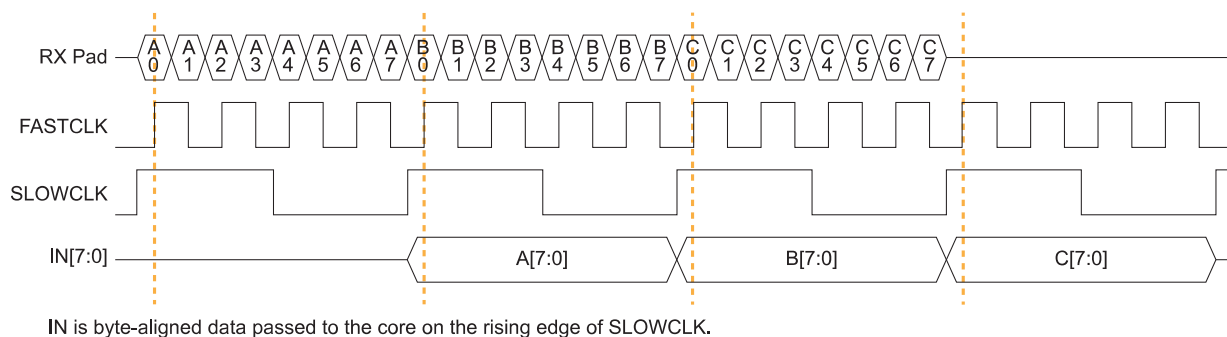


Table 21: LVDS RX Settings in Efinity® Interface Designer

Parameter	Choices	Notes
Connection Type	normal, pll_clkln, pll_extfb	<b>normal</b> —Regular RX function. <b>pll_clkln</b> —Use the PLL CLKIN alternate function of the LVDS RX resource. <b>pll_extfb</b> —Use the PLL external feedback alternate function of the LVDS RX resource.
Enable Deserialization	On or off	When off, the de-serializer is bypassed and the LVDS buffer is used as a normal input.
Deserialization Width	2, 3, 4, 5, 6, 7, or 8	Supports 8:1, 7:1, 6:1, 5:1, 4:1, 3:1, and 2:1.
Enable On-Die Termination	On or off	When on, enables an on-die 100-ohm resistor.

## MIPI

The MIPI CSI-2 interface is the most widely used camera interface for mobile.<sup>(7)</sup> You can use this interface to build single- or multi-camera designs for a variety of applications.

T13 FPGAs include two hardened MIPI D-PHY blocks (4 data lanes and 1 clock lane) with MIPI CSI-2 IP blocks. The MIPI RX and MIPI TX can operate independently with dedicated I/O banks.



**Note:** The MIPI D-PHY and CSI-2 controller are hard blocks; users cannot bypass the CSI-2 controller to access the D-PHY directly for non-CSI-2 applications.

The MIPI TX/RX interface supports the MIPI CSI-2 specification v1.3 and the MIPI D-PHY specification v1.1. It has the following features:

- Programmable data lane configuration supporting 1, 2, or 4 lanes
- High-speed mode supports up to 1.5 Gbps data rates per lane
- Operates in continuous and non-continuous clock modes
- 64 bit pixel interface for cameras
- Supports Ultra-Low Power State (ULPS)

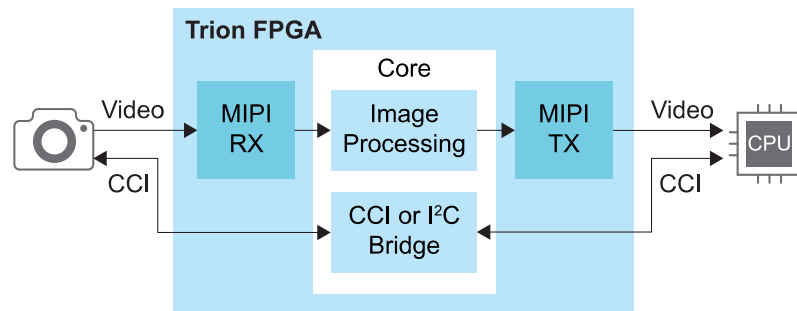
Table 22: MIPI Supported Data Types

Supported Data Type	Format
RAW	RAW6, RAW7, RAW8, RAW10, RAW12, RAW14
YUV	YUV420 8-bit (legacy), YUV420 8-bit, YUV420 10-bit, YUV420 8-bit (CSPS), YUV420 10-bit (CSPS), YUV422 8-bit, YUV422 10-bit
RGB	RGB444, RGB555, RGB565, RGB666, RGB888
User Defined	8 bit format

<sup>(7)</sup> Source: MIPI Alliance <https://www.mipi.org/specifications/csi-2>

With more than one MIPI TX and RX blocks, Trion® FPGAs support a variety of video applications.

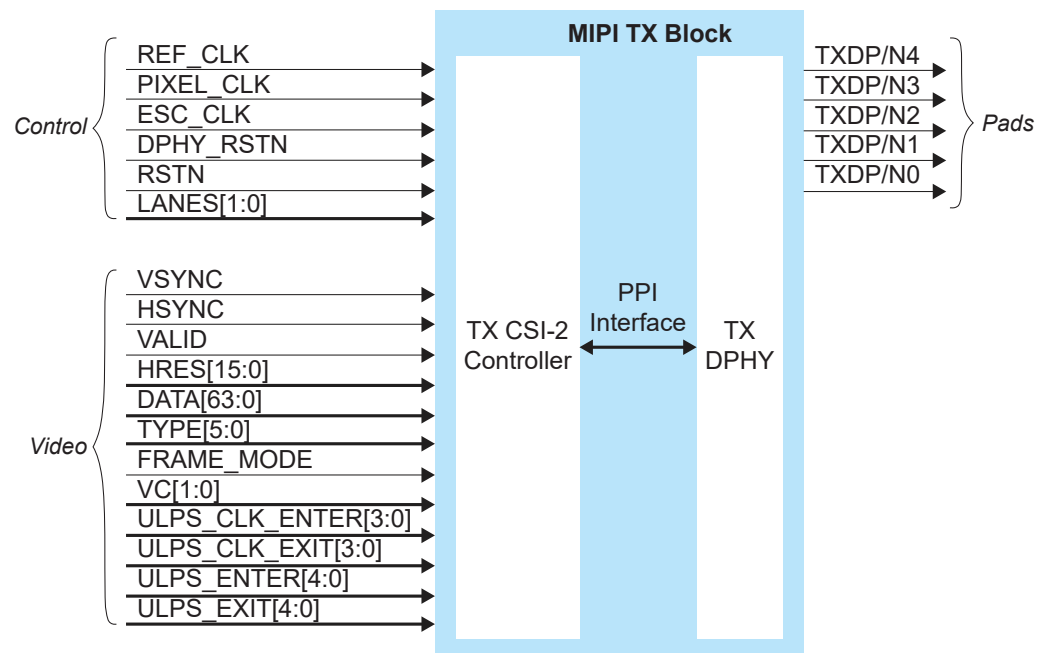
Figure 18: MIPI Example System



## MIPI TX

The MIPI TX is a transmitter interface that translates video data from the Trion® core into packetized data sent over the HSSI interface to the board. Five high-speed differential pin pairs (four data, one clock), each of which represent a lane, connect to the board. Control and video signals connect from the MIPI interface to the core.

Figure 19: MIPI TX x4 Block Diagram



The control signals determine the clocking and how many transceiver lanes are used. All control signals are required except the two reset signals. The reset signals are optional, however, you must use both signals or neither.

The MIPI block requires an escape clock (`ESC_CLK`) for use when the MIPI interface is in escape (low-power) mode, which runs between 11 and 20 MHz.



**Note:** Efinix recommends that you set the escape clock frequency as close to 20 MHz as possible.

The video signals receive the video data from the core. The MIPI interface block encodes it and sends it out through the MIPI D-PHY lanes.

Figure 20: MIPI TX Interface Block Diagram

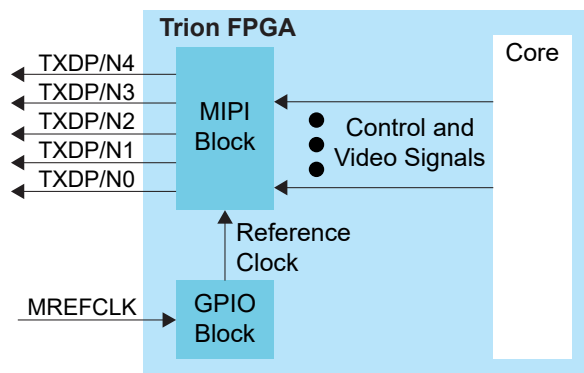


Table 23: MIPI TX Control Signals (Interface to FPGA Fabric)

Signal	Direction	Clock Domain	Description
REF_CLK	Input	N/A	Reference clock for the internal MIPI TX PLL used to generate the transmitted data. The FPGA has a dedicated GPIO resource (MREFCLK) that you must configure to provide the reference clock. All of the MIPI TX blocks share this resource. The frequency is set using Interface Designer configuration options.
PIXEL_CLK	Input	N/A	Clock used for transferring data from the core to the MIPI TX block. The frequency is based on the number of lanes and video format.
ESC_CLK	Input	N/A	Slow clock for escape mode (11 - 20 MHz).
DPHY_RSTN	Input	N/A	(Optional) Reset for the D-PHY logic, active low. Reset with the controller. See <b>MIPI Reset Timing</b> on page 46.
RSTN	Input	N/A	(Optional) Reset for the CSI-2 controller logic, active low. Typically, you reset the controller with the PHY (see <b>MIPI Reset Timing</b> on page 46). However, when dynamically changing the horizontal resolution, you only need to trigger RSTN (see <b>TX Requirements for Dynamically Changing the Horizontal Resolution</b> ).
LANES[1:0]	Input	PIXEL_CLK	Determines the number of lanes enabled. Can only be changed during reset. 00: lane 0 01: lanes 0 and 1 11: all lanes



Table 24: MIPI TX Video Signals (Interface to FPGA Fabric)

Signal	Direction	Clock Domain	Description
VSYNC	Input	PIXEL_CLK	Vertical sync.
HSYNC	Input	PIXEL_CLK	Horizontal sync.
VALID	Input	PIXEL_CLK	Valid signal.
HRES[15:0]	Input	PIXEL_CLK	Horizontal resolution. Can only be changed when VSYNC is low, and should be stable for at least one TX pixel clock cycle before VSYNC goes high.
DATA[63:0]	Input	PIXEL_CLK	Video data; the format depends on the data type. New data arrives on every pixel clock.
TYPE[5:0]	Input	PIXEL_CLK	Video data type. Can only be changed when HSYNC is low, and should be stable for at least one TX pixel clock cycle before HSYNC goes high.
FRAME_MODE	Input	PIXEL_CLK	Selects frame format. <sup>(8)</sup> 0: general frame 1: accurate frame Can only be changed during reset.
VC[1:0]	Input	PIXEL_CLK	Virtual channel (VC). Can only be changed when VSYNC is low, and should be stable at least one TX pixel clock cycle before VSYNC goes high.
ULPS_CLK_ENTER	Input	PIXEL_CLK	Place the clock lane into ULPS mode. Should not be active at the same time as ULPS_CLK_EXIT. Each high pulse should be at least 5 $\mu$ s.
ULPS_CLK_EXIT	Input	PIXEL_CLK	Remove clock lane from ULPS mode. Should not be active at the same time as ULPS_CLK_ENTER. Each high pulse should be at least 5 $\mu$ s.
ULPS_ENTER[3:0]	Input	PIXEL_CLK	Place the data lane into ULPS mode. Should not be active at the same time as ULPS_EXIT[3:0]. Each high pulse should be at least 5 $\mu$ s.
ULPS_EXIT[3:0]	Input	PIXEL_CLK	Remove the data lane from ULPS mode. Should not be active at the same time as ULPS_ENTER[3:0]. Each high pulse should be at least 5 $\mu$ s.

Table 25: MIPI TX Pads

Pad	Direction	Description
TXDP[4:0]	Output	MIPI transceiver P pads.
TXDN[4:0]	Output	MIPI transceiver N pads.

<sup>(8)</sup> Refer to the MIPI Camera Serial Interface 2 (MIPI CSI-2) for more information about frame formats.

Table 26: MIPI TX Settings in Efinity® Interface Designer

Tab	Parameter	Choices	Notes
Base	PHY Frequency (MHz)	80.00 - 1500.00	Choose one of the possible PHY frequency values.
	Frequency (reference clock)	6, 12, 19.2, 25, 26, 27, 38.4, or 52 MHz	Reference clock frequency.
	Enable Continuous PHY Clocking	On or Off	Turns continuous clock mode on or off.
Control	Escape Clock Pin Name	User defined	
	Invert Escape Clock	On or Off	
	Pixel Clock Pin Name	User defined	
	Invert Pixel Clock	On or Off	
Lane Mapping	TXD0, TXD1, TXD2, TXD3, TXD4	clk, data0, data1, data2, or data3	Map the physical lane to a clock or data lane.
<b>Clock Timer</b>			
Timing	T <sub>CLK-POST</sub> T <sub>CLK-TRAIL</sub> T <sub>CLK-PREPARE</sub> T <sub>CLK-ZERO</sub>	Varies depending on the PHY frequency	Changes the MIPI transmitter timing parameters per the DPHY specification. Refer to <b>D-PHY Timing Parameters</b> on page 33.
	Escape Clock Frequency (MHz)	User defined	Specify a number between 11 and 20 MHz.
	T <sub>CLK-PRE</sub>	Varies depending on the escape clock frequency	Changes the MIPI transmitter timing parameters per the DPHY specification. Refer to <b>D-PHY Timing Parameters</b> on page 33.
	<b>Data Timer</b>		
	T <sub>HS-PREPARE</sub> T <sub>HS-ZERO</sub> T <sub>HS-PTRAIL</sub>	Varies depending on the PHY frequency	Changes the MIPI transmitter timing parameters per the DPHY specification. Refer to <b>D-PHY Timing Parameters</b> on page 33.

## MIPI TX Video Data TYPE[5:0] Settings

The video data type can only be changed when HSYNC is low.

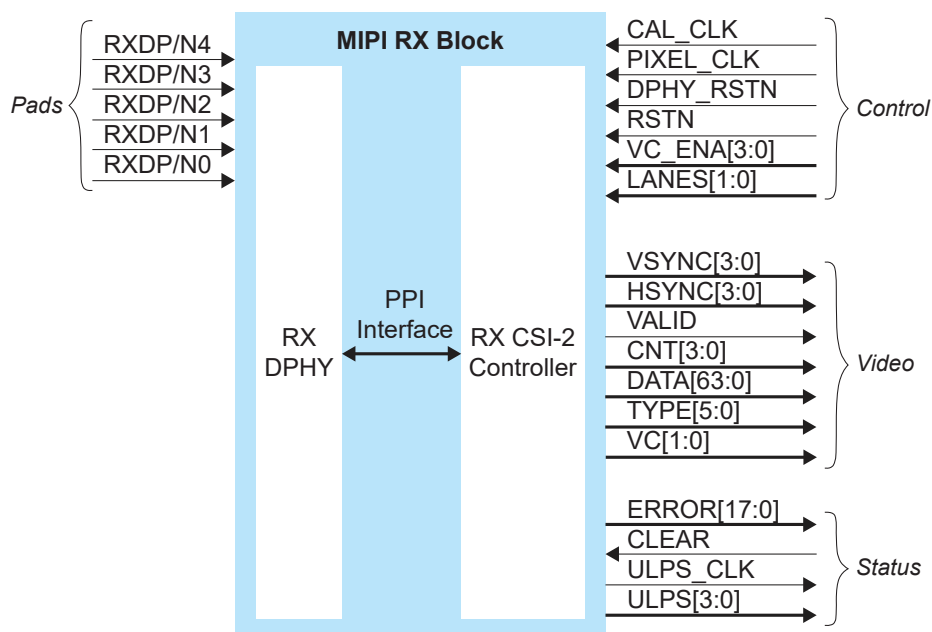
Table 27: MIPI TX TYPE[5:0]

TYPE[5:0]	Data Type	Pixel Data Bits per Pixel Clock	Pixels per Clock	Bits per Pixel	Maximum Data Pixels per Line
0x20	RGB444	48	4	12	2,880
0x21	RGB555	60	4	15	2,880
0x22	RGB565	64	4	16	2,880
0x23	RGB666	54	3	18	2,556
0x24	RGB888	48	2	24	1,920
0x28	RAW6	60	10	6	7,680
0x29	RAW7	56	8	7	6,576
0x2A	RAW8	64	8	8	5,760
0x2B	RAW10	60	6	10	4,608
0x2C	RAW12	60	5	12	3,840
0x2D	RAW14	56	4	14	3,288
0x18	YUV420 8 bit	Odd line: 64 Even line: 64	Odd line: 8 Even line: 4	Odd line: 8 Even line: 8, 24	2,880
0x19	YUV420 10 bit	Odd line: 60 Even line: 40	Odd line: 6 Even line: 2	Odd line: 10 Even line: 10, 30	2,304
0x1A	Legacy YUV420 8 bit	48	4	8, 16	3,840
0x1C	YUV420 8 bit (CSPS)	Odd line: 64 Even line: 64	Odd line: 8 Even line: 4	Odd line: 8 Even line: 8, 24	2,880
0x1D	YUV420 10 bit (CSPS)	Odd line: 60 Even line: 40	Odd line: 6 Even line: 2	Odd line: 10 Even line: 10, 30	2,304
0x1E	YUV422 8 bit	64	4	8, 24	2,880
0x1F	YUV422 10 bit	40	2	10, 30	2,304
0x30 - 37	User defined 8 bit	64	8	8	5,760

## MIPI RX

The MIPI RX is a receiver interface that translates HSSI signals from the board to video data in the Trion® core. Five high-speed differential pin pairs (one clock, four data), each of which represent a lane, connect to the board. Control, video, and status signals connect from the MIPI interface to the core.

Figure 21: MIPI RX x4 Block Diagram

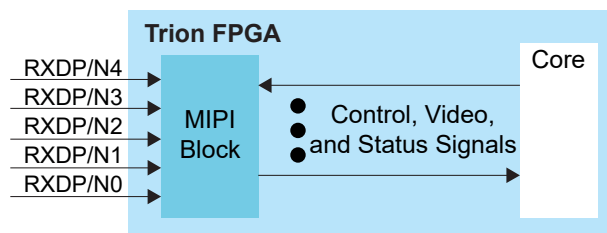


The control signals determine the clocking, how many transceiver lanes are used, and how many virtual channels are enabled. All control signals are required except the two reset signals. The reset signals are optional, however, you must use both signals or neither.

The video signals send the decoded video data to the core. All video signals must fully support the MIPI standard.

The status signals provide optional status and error information about the MIPI RX interface operation.

Figure 22: MIPI RX Interface Block Diagram



**Table 28: MIPI RX Control Signals (Interface to FPGA Fabric)**

Signal	Direction	Clock Domain	Notes
CAL_CLK	Input	N/A	Used for D-PHY calibration; must be between 80 and 120 MHz.
PIXEL_CLK	Input	N/A	Clock used for transferring data to the core from the MIPI RX block. The frequency based on the number of lanes and video format.
DPHY_RSTN	Input	N/A	(Optional) Reset for the D-PHY logic, active low. Must be used if RSTN is used. See <b>MIPI Reset Timing</b> on page 46.
RSTN	Input	N/A	(Optional) Reset for the CSI-2 controller logic, active low. Must be used if DPHY_RSTN is used. See <b>MIPI Reset Timing</b> on page 46.
VC_ENA[3:0]	Input	PIXEL_CLK	Enables different VC channels by setting their index high.
LANES[1:0]	Input	PIXEL_CLK	Determines the number of lanes enabled: 00: lane 0 01: lanes 0 and 1 11: all lanes Can only be set during reset.

**Table 29: MIPI RX Video Signals (Interface to FPGA Fabric)**

Signal	Direction	Clock Domain	Notes
VSYNC[3:0]	Output	PIXEL_CLK	Vsync bus. High if vsync is active for this VC.
HSYNC[3:0]	Output	PIXEL_CLK	Hsync bus. High if hsync is active for this VC
VALID	Output	PIXEL_CLK	Valid signal.
CNT[3:0]	Output	PIXEL_CLK	Number of valid pixels contained in the pixel data.
DATA[63:0]	Output	PIXEL_CLK	Video data, format depends on data type. New data every pixel clock.
TYPE[5:0]	Output	PIXEL_CLK	Video data type.
VC[1:0]	Output	PIXEL_CLK	Virtual channel (VC).

**Table 30: MIPI RX Status Signals (Interface to FPGA Fabric)**

Signal	Direction	Signal Interface	Clock Domain	Notes
ERROR[17:0]	Output	IN	PIXEL_CLK	Error bus register. Refer to <b>Table 31: MIPI RX Error Signals (ERROR[17:0])</b> on page 30 for details.
CLEAR	Input	OUT	PIXEL_CLK	Reset the error registers.
ULPS_CLK	Output	IN	PIXEL_CLK	High when the clock lane is in the Ultra-Low-Power State (ULPS).
ULPS[3:0]	Output	IN	PIXEL_CLK	High when the lane is in the ULPS mode.

Table 31: MIPI RX Error Signals (ERROR[17:0])

Bit	Name	Description
0	ERR_ESC	Escape Entry Error. Asserted when an unrecognized escape entry command is received.
1	CRC_ERROR_VC0	CRC Error VC0. Set to 1 when a checksum error occurs.
2	CRC_ERROR_VC1	CRC Error VC1. Set to 1 when a checksum error occurs.
3	CRC_ERROR_VC2	CRC Error VC2. Set to 1 when a checksum error occurs.
4	CRC_ERROR_VC3	CRC Error VC3. Set to 1 when a checksum error occurs.
5	HS_RX_TIMEOUT_ERR	HS RX Timeout Error. The protocol should time out when no EoT is received within a certain period in HS RX mode.
6	ECC_1BIT_ERROR	ECC Single Bit Error. Set to 1 when there is a single bit error.
7	ECC_2BIT_ERROR	ECC 2 Bit Error. Set to 1 if there is a 2 bit error in the packet.
8	ECCBIT_ERROR	ECC Error. Asserted when an error exists in the ECC.
9	ECC_NO_ERROR	ECC No Error. Asserted when an ECC is computed with a result zero. This bit is high when the receiver is receiving data correctly.
10	FRAME_SYNC_ERROR	Frame Sync Error. Asserted when a frame end is not paired with a frame start on the same virtual channel.
11	INVLD_PKT_LEN	Invalid Packet Length. Set to 1 if there is an invalid packet length.
12	INVLD_VC	Invalid VC ID. Set to 1 if there is an invalid CSI VC ID.
13	INVALID_DATA_TYPE	Invalid Data Type. Set to 1 if the received data is invalid.
14	ERR_FRAME	Error In Frame. Asserted when VSYNC END received when CRC error is present in the data packet.
15	CONTROL_ERR	Control Error. Asserted when an incorrect line state sequence is detected.
16	SOT_ERR	Start-of-Transmission (SoT) Error. Corrupted high-speed SoT leader sequence while proper synchronization can still be achieved.
17	SOT_SYNC_ERR	SoT Synchronization Error. Corrupted high-speed SoT leader sequence while proper synchronization cannot be expected.



**Note:** If error report is all logic low, there is an EOT or a contention error. Check the physical connection of MIPI lanes or adjust the EXIT and TRAIL parameters according to the MIPI Utility.

Table 32: MIPI RX Pads

Pad	Direction	Description
RXDP[4:0]	Input	MIPI transceiver P pads.
RXDN[4:0]	Input	MIPI transceiver N pads.

Table 33: MIPI RX Settings in Efinity® Interface Designer

Tab	Parameter	Choices	Notes
Control	DPHY Calibration Clock Pin Name	User defined	
	Invert DPHY Calibration Clock	On or Off	
	Pixel Clock Pin Name	User defined	
	Invert Pixel Clock	On or Off	
Status	Enable Status	On or Off	Indicate whether you want to use the status pins.
Lane Mapping	RXD0, RXD1, RXD2, RXD3, RXD4	clk, data0, data1, data2, or data3	Map the physical lane to a clock or data lane.
	Swap P&N Pin	On or Off	Reverse the P and N pins for the physical lane.
Timing	Calibration Clock Freq (MHz)	User defined	Specify a number between 80 and 120 MHz.
	Clock Timer (T <sub>CLK-SETTLE</sub> )	40 - 2,590 ns	Changes the MIPI receiver timing parameters per the DPHY specification. Refer to <b>D-PHY Timing Parameters</b> on page 33.
	Data Timer (T <sub>HS-SETTLE</sub> )	40 - 2,590 ns	Changes the MIPI receiver timing parameters per the DPHY specification. Refer to <b>D-PHY Timing Parameters</b> on page 33.

## MIPI RX Video Data TYPE[5:0] Settings

The video data type can only be changed when HSYNC is low.

Table 34: MIPI RX TYPE[5:0]

TYPE[5:0]	Data Type	Pixel Data Bits per Pixel Clock	Pixels per Clock	Bits per Pixel	Maximum Data Pixels per Line
0x20	RGB444	48	4	12	2,880
0x21	RGB555	60	4	15	2,880
0x22	RGB565	64	4	16	2,880
0x23	RGB666	54	3	18	2,556
0x24	RGB888	48	2	24	1,920
0x28	RAW6	48	8	6	7,680
0x29	RAW7	56	8	7	6,576
0x2A	RAW8	64	8	8	5,760
0x2B	RAW10	40	4	10	4,608
0x2C	RAW12	48	4	12	3,840
0x2D	RAW14	56	4	14	3,288
0x18	YUV420 8 bit	Odd line: 64 Even line: 64	Odd line: 8 Even line: 4	Odd line: 8 Even line: 8, 24	2,880
0x19	YUV420 10 bit	Odd line: 40 Even line: 40	Odd line: 4 Even line: 2	Odd line: 10 Even line: 10, 30	2,304
0x1A	Legacy YUV420 8 bit	48	4	8, 16	3,840
0x1C	YUV420 8 bit (CSPS)	Odd line: 64 Even line: 64	Odd line: 8 Even line: 4	Odd line: 8 Even line: 8, 24	2,880
0x1D	YUV420 10 bit (CSPS)	Odd line: 40 Even line: 40	Odd line: 4 Even line: 2	Odd line: 10 Even line: 10, 30	2,304
0x1E	YUV422 8 bit	64	4	8, 24	2,880
0x1F	YUV422 10 bit	40	2	10, 30	2,304
0x30 - 37	User defined 8 bit	64	8	8	5,760



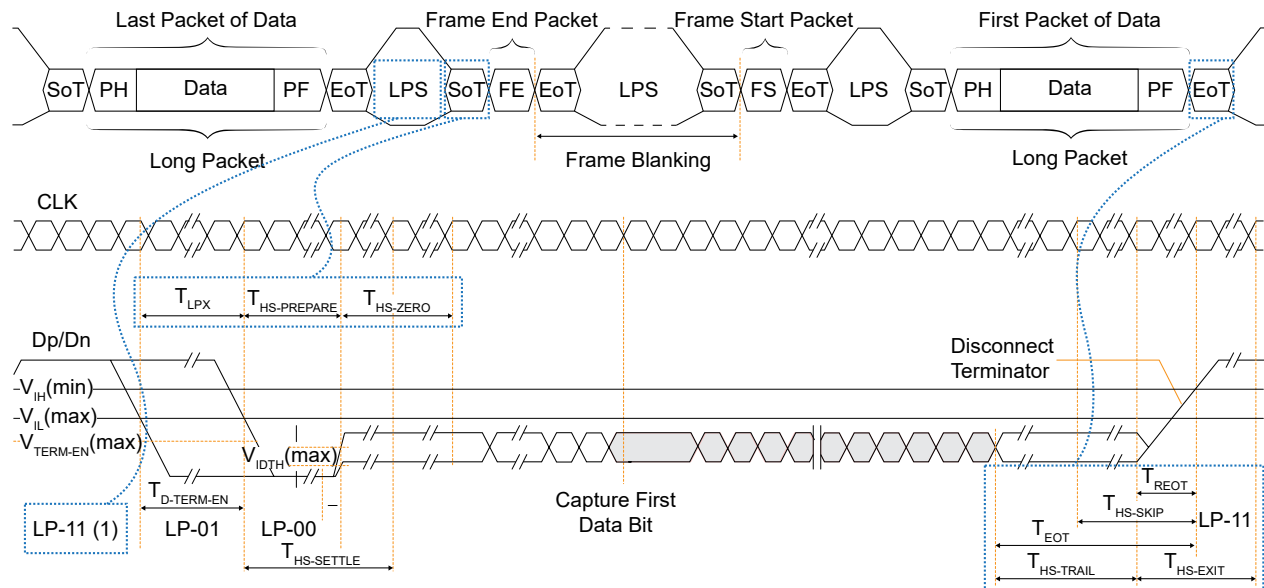
## D-PHY Timing Parameters

During CSI-2 data transmission, the MIPI D-PHY alternates between low power mode and high-speed mode. The D-PHY specification defines timing parameters to facilitate the correct hand-shaking between the MIPI TX and MIPI RX during mode transitions.

You set the timing parameters to correspond to the specifications of your hardware in the Efinity® Interface Designer.

- *RX parameters*— $T_{CLK-SETTLE}$ ,  $T_{HS-SETTLE}$  (see **Table 28: MIPI RX Control Signals (Interface to FPGA Fabric)** on page 29)
- *TX parameters*— $T_{CLK-POST}$ ,  $T_{CLK-TRAIL}$ ,  $T_{CLK-PREPARE}$ ,  $T_{CLK-ZERO}$ ,  $T_{CLK-PRE}$ ,  $T_{HS-PREPARE}$ ,  $T_{HS-ZERO}$ ,  $T_{HS-TRAIL}$  (see **Table 26: MIPI TX Settings in Efinity Interface Designer** on page 26)

Figure 23: High-Speed Data Transmission in Bursts Waveform



Note:

1. To enter high-speed mode, the D-PHY goes through states LP-11, LP-01, and LP-00. The D-PHY generates LP-11 to exit high-speed mode.

Figure 24: Switching the Clock Lane between Clock Transmission and Low Power Mode Waveform

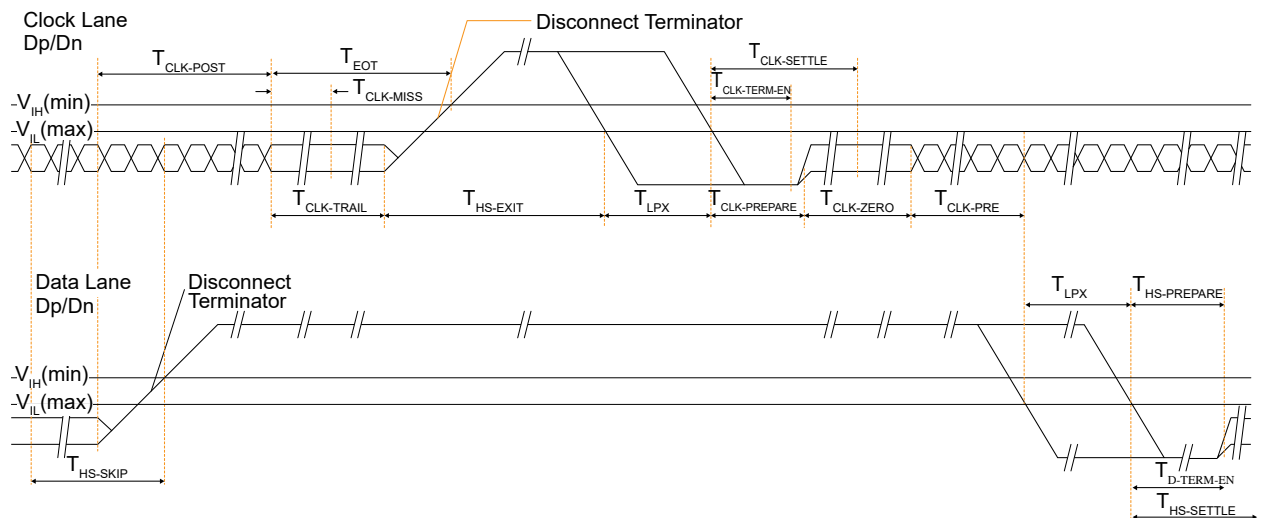


Table 35: D-PHY Timing Specifications

Parameter	Description	Min	Typ	Max	Unit
$T_{CLK-POST}$	Time that the transmitter continues to send HS clock after the last associated Data Lane has transitioned to LP Mode. Interval is defined as the period from the end of $T_{HS-TRAIL}$ to the beginning of $T_{CLK-TRAIL}$ .	$60\text{ ns} + 52*UI$	-	-	ns
$T_{CLK-PRE}$	Time that the HS clock shall be driven by the transmitter prior to any associated Data Lane beginning the transition from LP to HS mode.	8	-	-	UI
$T_{CLK-PREPARE}$	Time that the transmitter drives the Clock Lane LP-00 Line state immediately before the HS-0 Line state starting the HS transmission.	38	-	95	ns
$T_{CLK-SETTLE}$	Time interval during which the HS receiver should ignore any Clock Lane HS transitions, starting from the beginning of $T_{CLK-PREPARE}$ .	95	-	300	ns
$T_{CLK-TRAIL}$	Time that the transmitter drives the HS-0 state after the last payload clock bit of a HS transmission burst.	60	-	-	ns
$T_{CLK-PREPARE} + T_{CLK-ZERO}$	$T_{CLK-PREPARE}$ + time that the transmitter drives the HS-0 state prior to starting the Clock.	300	-	-	ns
$T_{HS-PREPARE}$	Time that the transmitter drives the Data Lane LP-00 Line state immediately before the HS-0 Line state starting the HS transmission	$40\text{ ns} + 4*UI$	-	$85\text{ ns} + 6*UI$	ns
$T_{HS-SETTLE}$	Time interval during which the HS receiver shall ignore any Data Lane HS transitions, starting from the beginning of $T_{HS-PREPARE}$ . The HS receiver shall ignore any Data Lane transitions before the minimum value, and the HS receiver shall respond to any Data Lane transitions after the maximum value.	$85\text{ ns} + 6*UI$	-	$145\text{ ns} + 10*UI$	ns
$T_{HS-TRAIL}$	Time that the transmitter drives the flipped differential state after last payload data bit of a HS transmission burst	$\max(n*8*UI, 60\text{ ns} + n*4*UI)$	-	-	ns
$T_{LPX}$	Transmitted length of any Low-Power state period	50	-	-	ns
$T_{HS-PREPARE} + T_{HS-ZERO}$	$T_{HS-PREPARE}$ + time that the transmitter drives the HS-0 state prior to transmitting the Sync sequence.	$145\text{ ns} + 10*UI$	-	-	ns

# Power Up Sequence

Efnix® recommends the following power up sequence when powering Trion® FPGAs:

1. Power up VCC and VCCA\_XX first.
2. When VCC and VCCA\_XX are stable, power up all VCCIO pins. There is no specific timing delay between the VCCIO pins.
3. Apply power to VCC12A\_MIPI\_TX, VCC12A\_MIPI\_RX, and VCC25A\_MIPI at least  $t_{\text{MIPI\_POWER}}$  after VCC is stable.
4. After all power supplies are stable, hold CRESET\_N low for a duration of  $t_{\text{CRESET\_N}}$  before asserting CRESET\_N from low to high to trigger active SPI programming (the FPGA loads the configuration data from an external flash device).

When you are not using the GPIO, MIPI or PLL resources, connect the pins as shown in the following table.

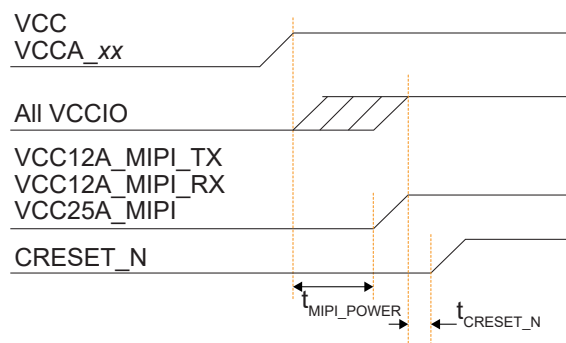
**Table 36: Connection Requirements for Unused Resources**

Unused Resource	Pin	Note
GPIO Bank	VCCIOxx	Connect to either 1.8 V, 2.5 V, or 3.3 V.
PLL	VCCA_PLL	Connect to VCC.
MIPI	VCC12A_MIPI_TX	Connect to VCC.
	VCC12A_MIPI_RX	Connect to VCC.
	VCC25A_MIPI	Connect to VCC.



**Note:** Refer to **Configuration Timing** on page 47 and **MIPI Power-Up Timing** on page 46 for timing information.

**Figure 25: Trion® FPGAs Power Up Sequence**



## Power Supply Current Transient

You may observe an inrush current on the dedicated power rail during power-up. You must ensure that the power supplies selected in your board meets the current requirement during power-up and the estimated current during user mode. Use the Power Estimator to calculate the estimated current during user mode.

*Table 37: Maximum Power Supply Current Transient*

Power Supply	Maximum Power Supply Current Transient <sup>(9)(10)</sup>	Unit
VCC	35	mA

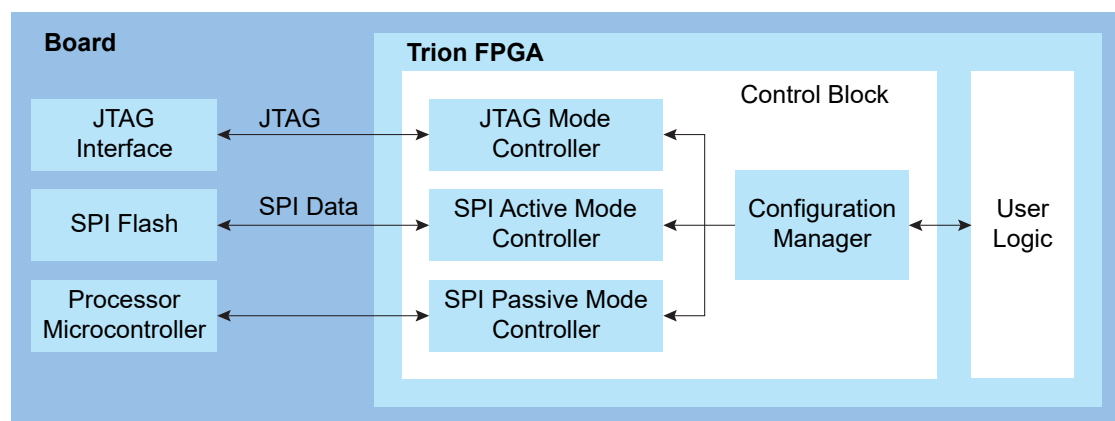
## Configuration

The T13 FPGA contains volatile Configuration RAM (CRAM). The user must configure the CRAM for the desired logic function upon power-up and before the FPGA enters normal operation. The FPGA's control block manages the configuration process and uses a bitstream to program the CRAM. The Efinity<sup>®</sup> software generates the bitstream, which is design dependent. You can configure the T13 FPGA(s) in active, passive, or JTAG mode.



**Learn more:** Refer to [AN 006: Configuring Trion FPGAs](#) for details on the dedicated configuration pins and how to configure FPGA(s).

*Figure 26: High-Level Configuration Options*



In active mode, the FPGA controls the configuration process. An oscillator circuit within the FPGA provides the configuration clock. The bitstream is typically stored in an external serial flash device, which provides the bitstream when the FPGA requests it.

The control block sends out the instruction and address to read the configuration data. First, it issues a release from power-down instruction to wake up the external SPI flash. Then, it waits for at least 30  $\mu$ s before issuing a fast read command to read the content of SPI flash from address 24h'000000.

<sup>(9)</sup> Inrush current for other power rails are not significant in Trion<sup>®</sup> FPGAs.

<sup>(10)</sup> Measured at room temperature.

In passive mode, the FPGA is the slave and relies on an external master to provide the control, bitstream, and clock for configuration. Typically the master is a microcontroller or another FPGA in active mode.

In JTAG mode, you configure the FPGA via the JTAG interface.

## Supported Configuration Modes

*Table 38: T13 Configuration Modes by Package*

Configuration Mode	Width	BGA256	BGA169
Active	x1	✓	✓
	x2	✓	✓
	x4	✓	✓
Passive	x1	✓	✓
	x2	✓	✓
	x4	✓	✓
	x8	✓	
	x16	✓	
	x32	✓	
JTAG	x1	✓	✓



**Learn more:** Refer to [AN 006: Configuring Trion FPGAs](#) for more information.

## Mask-Programmable Memory Option

The T13 FPGA is equipped with one-time programmable MPM. With this feature, you use on-chip MPM instead of an external serial flash device to configure the FPGA. This option is for systems that require an ultra-small factor and the lowest cost structure such that an external serial flash device is undesirable and/or not required at volume production. MPM is a one-time factory programmable option that requires a Non-Recurring Engineering (NRE) payment. To enable MPM, submit your design to our factory; our Applications Engineers (AEs) convert your design into a single configuration mask to be specially fabricated.

# DC and Switching Characteristics

**Table 39: Absolute Maximum Ratings**

Conditions beyond those listed may cause permanent damage to the device. Device operation at the absolute maximum ratings for extended periods of time has adverse effects on the device.

Symbol	Description	Min	Max	Units
VCC	Core power supply	-0.5	1.42	V
VCCIO	I/O bank power supply	-0.5	4.6	V
VCCA_PLL	PLL analog power supply	-0.5	1.42	V
VCC25A_MIP10 VCC25A_MIP11	2.5 V analog power supply for MIPI	-0.5	2.75	V
VCC12A_MIP10_TX VCC12A_MIP11_TX	1.2 V TX analog power supply for MIPI	-0.5	1.42	V
VCC12A_MIP10_RX VCC12A_MIP11_RX	1.2 V RX analog power supply for MIPI	-0.5	1.42	V
V <sub>IN</sub>	I/O input voltage	-0.5	4.6	V
I <sub>IN</sub>	Maximum current through any pin in a powered or unpowered bank when forward biasing the clamp diode. <sup>(12)</sup>	-	10	mA
T <sub>J</sub>	Operating junction temperature	-40	125	°C
T <sub>STG</sub>	Storage temperature, ambient	-55	150	°C

<sup>(11)</sup> Supply voltage specification applied to the voltage taken at the device pins with respect to ground, not at the power supply.

<sup>(12)</sup> Should not exceed a total of 120 mA per bank.

**Table 40: Recommended Operating Conditions (C3, C4, Q4, and I4 Speed Grades)<sup>(11)</sup>**

Symbol	Description	Min	Typ	Max	Units
VCC	Core power supply	1.15	1.2	1.25	V
VCCIO	1.8 V I/O bank power supply	1.71	1.8	1.89	V
	2.5 V I/O bank power supply	2.38	2.5	2.63	V
	3.3 V I/O bank power supply	3.14	3.3	3.47	V
VCCA_PLL	PLL analog power supply	1.15	1.2	1.25	V
VCC25A_MIP10 VCC25A_MIP11	2.5 V analog power supply for MIPI	2.38	2.5	2.63	V
VCC12A_MIP10_TX VCC12A_MIP11_TX	1.2 V TX analog power supply for MIPI	1.15	1.2	1.25	V
VCC12A_MIP10_RX VCC12A_MIP11_RX	1.2 V RX analog power supply for MIPI	1.15	1.2	1.25	V
V <sub>IN</sub>	I/O input voltage <sup>(13)</sup>	-0.3	-	VCCIO + 0.3	V
T <sub>JCOM</sub>	Operating junction temperature, commercial	0	-	85	°C
T <sub>JIND</sub>	Operating junction temperature, industrial	-40	-	100	°C
T <sub>JAUT</sub>	Operating junction temperature, automotive	-40	-	105	°C

**Table 41: Recommended Operating Conditions (C4L and I4L Speed Grades)<sup>(11)</sup>**

Symbol	Description	Min	Typ	Max	Units
VCC	Core power supply	1.05	1.1	1.15	V
VCCIO	1.8 V I/O bank power supply	1.71	1.8	1.89	V
	2.5 V I/O bank power supply	2.38	2.5	2.63	V
	3.3 V I/O bank power supply	3.14	3.3	3.47	V
VCCA_PLL	PLL analog power supply	1.05	1.1	1.15	V
VCC25A_MIP10 VCC25A_MIP11	2.5 V analog power supply for MIPI	2.38	2.5	2.63	V
VCC12A_MIP10_TX VCC12A_MIP11_TX	1.1 V TX analog power supply for MIPI	1.05	1.1	1.15	V
VCC12A_MIP10_RX VCC12A_MIP11_RX	1.1 V RX analog power supply for MIPI	1.05	1.1	1.15	V
V <sub>IN</sub>	I/O input voltage <sup>(14)</sup>	-0.3	-	VCCIO + 0.3	V
T <sub>JCOM</sub>	Operating junction temperature, commercial	0	-	85	°C
T <sub>JIND</sub>	Operating junction temperature, industrial	-40	-	100	°C

<sup>(13)</sup> Values applicable to both input and tri-stated output configuration.<sup>(14)</sup> Values applicable to both input and tri-stated output configuration.

**Table 42: Power Supply Ramp Rates**

Symbol	Description	Min	Max	Units
$t_{RAMP}$	Power supply ramp rate for all supplies.	0.01/VCCIO	10	V/ms

**Table 43: Single-Ended I/O DC Electrical Characteristics**

I/O Standard	$V_{IL}$ (V)		$V_{IH}$ (V)		$V_{OL}$ (V)	$V_{OH}$ (V)
	Min	Max	Min	Max	Max	Min
3.3 V LVCMOS	-0.3	0.8	2	VCCIO + 0.3	0.2	VCCIO - 0.2
3.3 V LVTTTL	-0.3	0.8	2	VCCIO + 0.3	0.4	2.4
2.5 V LVCMOS	-0.3	0.7	1.7	VCCIO + 0.3	0.5	1.8
1.8 V LVCMOS	-0.3	0.35 * VCCIO	0.65 * VCCIO	VCCIO + 0.3	0.45	VCCIO - 0.45

**Table 44: Single-Ended I/O and Dedicated Configuration Pins Schmitt Trigger Buffer Characteristic**

Voltage (V)	VT+ (V) Schmitt Trigger Low-to-High Threshold	VT- (V) Schmitt Trigger High-to-Low Threshold	Input Leakage Current ( $\mu$ A)	Tri-State Output Leakage Current ( $\mu$ A)
3.3	1.73	1.32	$\pm 10$	$\pm 10$
2.5	1.37	1.01	$\pm 10$	$\pm 10$
1.8	1.05	0.71	$\pm 10$	$\pm 10$

**Table 45: Single-Ended I/O Buffer Drive Strength Characteristics**

Junction temperature at  $T_J = 25^\circ\text{C}$ , power supply at nominal voltage.

CDONE and CRESET\_N have a drive strength of 1.

I/O Standard	3.3 V		2.5 V		1.8 V	
	$I_{OH}$ (mA)	$I_{OL}$ (mA)	$I_{OH}$ (mA)	$I_{OL}$ (mA)	$I_{OH}$ (mA)	$I_{OL}$ (mA)
1	14.4	8.0	9.1	8.0	4.4	5.1
2	19.1	10.5	12.2	10.5	5.8	6.8
3	23.9	13.3	15.2	13.4	7.3	8.6
4	28.7	15.8	18.2	15.9	8.6	10.3

**Table 46: Single-Ended I/O Internal Weak Pull-Up and Pull-Down Resistance**

CDONE and CRESET\_N also have an internal weak pull-up with these values.

I/O Standard	Internal Pull-Up			Internal Pull-Down			Units
	Min	Typ	Max	Min	Typ	Max	
3.3 V LVTTTL/LVCMOS	27	40	65	30	47	83	$k\Omega$
2.5 V LVCMOS	35	55	95	37	62	118	$k\Omega$
1.8 V LVCMOS	53	90	167	54	99	202	$k\Omega$



**Table 47: LVDS Pins Configured as Single-Ended I/O DC Electrical Characteristics**

I/O Standard	V <sub>IL</sub> (V)		V <sub>IH</sub> (V)		V <sub>OL</sub> (V)	V <sub>OH</sub> (V)
	Min	Max	Min	Max	Max	Min
3.3 V LVCMOS	-0.3	0.8	2	VCCIO + 0.3	0.2	VCCIO - 0.2
3.3 V LVTTTL	-0.3	0.8	2	VCCIO + 0.3	0.4	2.4

**Table 48: LVDS Pins Configured as Single-Ended I/O DC Electrical Characteristics**

Voltage (V)	Input Leakage Current ( $\mu$ A)	Tri-State Output Leakage Current ( $\mu$ A)
3.3	$\pm 10$	$\pm 10$

**Table 49: LVDS Pins Configured as Single-Ended I/O Internal Weak Pull-Up Resistance**

I/O Standard	Internal Pull-Up			Units
	Min	Typ	Max	
3.3 V LVTTTL/LVCMOS	27	40	65	k $\Omega$

**Table 50: Maximum Toggle Rate**

I/O Standard	Test Condition Load (pF)	Max Toggle Rate (Mbps)
3.3 V LVTTTL/LVCMOS	10	400
2.5 V LVCMOS	10	400
1.8 V LVCMOS	10	400
LVDS	10	800

**Table 51: Single-Ended I/O and LVDS Pins Configured as Single-Ended I/O Rise and Fall Time**

Data are based on the following IBIS simulation setup:

- Weakest drive strength model
- Typical simulation corner setting
- RLC circuit with 6.6 pF capacitance, 16.6 nH inductance, 0.095 ohm resistance, and 25 °C temperature



**Note:** For a more accurate data, you need to perform the simulation with your own circuit.

I/O Standard	Rise Time ( $T_R$ )		Fall Time ( $T_F$ )		Units
	Slow Slew Rate Enabled	Slow Slew Rate Disabled	Slow Slew Rate Enabled	Slow Slew Rate Disabled	
3.3 V LVTTTL/LVCMOS	1.13	1.02	1.24	1.17	ns
2.5 V LVCMOS	1.4	1.3	1.44	1.31	ns
1.8 V LVCMOS	2.14	2.01	2.05	1.85	ns
LVDS pins configured as 3.3 V LVTTTL/LVCMOS	0.45		0.44		ns

**Table 52: Block RAM Characteristics**

Symbol	Description	Speed Grade		Units
		C3, C4L, I4L	C4, I4, Q4	
$f_{MAX}$	Block RAM maximum frequency.	310	400	MHz

**Table 53: Multiplier Block Characteristics**

Symbol	Description	Speed Grade		Units
		C3, C4L, I4L	C4, I4, Q4	
$f_{MAX}$	Multiplier block maximum frequency.	310	400	MHz

# LVDS I/O Electrical and Timing Specifications

The LVDS pins comply with the EIA/TIA-644 electrical specifications.

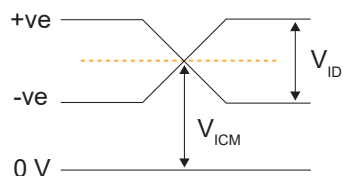


**Note:** The LVDS RX supports the sub-lvds, slvs, HiVcm, RSDS and 3.3 V LVPECL differential I/O standards with a transfer rate of up to 800 Mbps.

**Table 54: LVDS I/O Electrical Specifications**

Parameter	Description	Test Conditions/ Options	Min	Typ	Max	Unit
V <sub>CCIO</sub>	LVDS I/O Supply Voltage	-	2.97	3.3	3.63	V
<b>LVDS TX</b>						
V <sub>OD</sub>	Output Differential Voltage	Reduce VOD Swing option disabled	250	350	450	mV
		Reduce VOD Swing option enabled	150	200	250	mV
Δ V <sub>OD</sub>	Change in V <sub>OD</sub>	-	-	-	50	mV
V <sub>OCM</sub>	Output Common Mode Voltage	RT = 100 Ω	1,125	1,250	1,375	mV
Δ V <sub>OCM</sub>	Change in V <sub>OCM</sub>	-	-	-	50	mV
V <sub>OH</sub>	Output High Voltage	RT = 100 Ω	-	-	1475	mV
V <sub>OL</sub>	Output Low Voltage	RT = 100 Ω	925	-	-	mV
I <sub>SAB</sub>	Output Short Circuit Current	-	-	-	24	mA
<b>LVDS RX</b>						
V <sub>ID</sub>	Input Differential Voltage	-	100	-	600	mV
V <sub>ICM</sub>	Input Common Mode Voltage	-	100	-	2,000	mV
V <sub>TH</sub>	Differential Input Threshold	-	-100	-	100	mV
I <sub>IL</sub>	Input Leakage Current	-	-	-	20	μA

**Figure 27: LVDS RX I/O Electrical Specification Waveform**



**Table 55: LVDS Timing Specifications**

Parameter	Description	Min	Typ	Max	Unit
t <sub>LVDS_DT</sub>	LVDS TX reference clock output duty cycle	45	50	55	%
t <sub>LVDS_skew</sub>	LVDS TX lane-to-lane skew	-	200	-	ps

# ESD Performance

Refer to the [Trion Reliability Report](#) for ESD performance data.

## MIPI Electrical Specifications and Timing

The MIPI D-PHY transmitter and receiver are compliant to the MIPI Alliance Specification for D-PHY Revision 1.2.

*Table 56: High-Speed MIPI D-PHY Transmitter (TX) DC Specifications*

Parameter	Description	Min	Typ	Max	Unit
$V_{CMTX}$	High-speed transmit static common-mode voltage	150	200	250	mV
$ \Delta V_{CMTX(1,0)} $	$V_{CMTX}$ mismatch when output is Differential-1 or Differential-0	-	-	5	mV
$ V_{OD} $	High-speed transmit differential voltage	140	200	270	mV
$ \Delta V_{OD} $	VOD mismatch when output is Differential-1 or Differential-0	-	-	14	mV
$V_{OHHS}$	High-speed output high voltage	-	-	360	mV
$Z_{OS}$	Single ended output impedance	40	50	60	$\Omega$
$\Delta Z_{OS}$	Single ended output impedance mismatch	-	-	20	%

*Table 57: High-Speed MIPI D-PHY Transmitter (TX) AC Specifications*

Parameter	Description	Min	Typ	Max	Unit
$\Delta V_{CMTX(HF)}$	Common-level variations above 450 MHz	-	-	15	mV <sub>RMS</sub>
$\Delta V_{CMTX(LF)}$	Common-level variations between 50 to 450 MHz	-	-	25	mV <sub>PEAK</sub>
$t_R$ and $t_F$	Rise and fall time < 1.0Gbps	-	-	0.3	UI
	Rise and fall time > 1.0Gbps	-	-	0.35	UI
	Rise and fall time > 1.5Gbps	-	-	0.4	UI

*Table 58: Low-Power MIPI D-PHY Transmitter (TX) DC Specifications*

Parameter	Description	Min	Typ	Max	Unit
$V_{OH}$	Thevenin output high level	0.95	1.2	1.3	V
$V_{OL}$	Thevenin output low level	-50	-	50	mV
$Z_{OLP}$	Output impedance of low-power transmitter	110	-	-	$\Omega$

**Table 59: Low-Power MIPI D-PHY Transmitter (TX) AC Specifications**

Parameter	Description	Min	Typ	Max	Unit
$T_{RLP}/T_{FLP}$	15%-85% rise time and fall time	-	-	25	ns
$T_{REOT}$	30%-85% rise time and fall time	-	-	35	ns
$T_{LP-PULSE-TX}$	Pulse width of first LP exclusive-OR clock pulse after Stop state or last pulse before Stop state	40	-	-	ns
	Pulse width of all other pulses	-	20	-	ns
$T_{LP-PER-TX}$	Period of the LP exclusive-OR clock	90	-	-	ns
$\delta V/\delta t_{SR}$	Slew rate @ $C_{LOAD} = 50\text{pF} < 1.5\text{ Gbps}$	30	-	150	mV/ns
	Slew rate @ $C_{LOAD} = 50\text{pF} > 1.5\text{ Gbps}$	25	-	150	mV/ns

**Table 60: High-Speed MIPI D-PHY Receiver (RX) DC Specifications**

Parameter	Description	Min	Typ	Max	Unit
$V_{CMRX(DC)}$	Common mode voltage high-speed receive mode	70	-	330	mV
$Z_{ID}$	Differential input impedance	80	100	120	$\Omega$

**Table 61: High-Speed MIPI D-PHY Receiver (RX) AC Specifications**

Parameter	Description	Min	Typ	Max	Unit
$\Delta V_{CMRX(HF)}$	Common-point interference above 450 MHz	-	-	50	mV
$\Delta V_{CMRX(LF)}$	Common-point interference between 50 MHz to 450 MHz	-	-	25	mV
$V_{IDTH}$	Differential input high threshold	-	-	40	mV
$V_{IDTL}$	Differential input low threshold	-40	-	-	mV
$V_{IHHS}$	Single-ended input high voltage	-	-	460	mV
$V_{ILHS}$	Single-ended input low voltage	-40	-	-	mV
$V_{TERM-EN}$	Single-ended threshold for high-speed termination enable	-	-	450	mV
CCP	Common-point termination	-	-	60	pF

**Table 62: Low-Power MIPI D-PHY Receiver (RX) DC Specifications**

Parameter	Description	Min	Typ	Max	Unit
$V_{IH}$	Logic 1 input voltage	740	-	-	mV
$V_{IL}$	Logic 0 input voltage, not in ULP state	-	-	550	mV
$V_{IL-ULPS}$	Logic 0 input voltage, ULP state	-	-	300	mV
$V_{HYST}$	Input hysteresis	25	-	-	mV

Table 63: Low-Power MIPI D-PHY Receiver (RX) AC Specifications

Parameter	Description	Min	Typ	Max	Unit
$T_{\text{MIN-RX}}$	Minimum pulse width response	20	-	-	ns
$V_{\text{INT}}$	Peak interference amplitude	-	-	200	mV
$f_{\text{INT}}$	Interference frequency	450	-	-	MHz

## MIPI Power-Up Timing

Apply power to VCC18A\_MIPI0\_1\_TX, VCC18A\_MIPI0\_1\_RX, VCC18A\_MIPI2\_3\_TX, and VCC18A\_MIPI2\_3\_RX at least  $t_{\text{MIPI\_POWER}}$  after VCC is stable. See [Power Up Sequence](#) for a power-up sequence diagram.

Table 64: MIPI Timing

Symbol	Parameter	Min	Typ	Max	Units
$t_{\text{MIPI\_POWER}}$	Minimum time after VCC is stable before powering VCC18A_MIPI0_1_TX, VCC18A_MIPI0_1_RX, VCC18A_MIPI2_3_TX, and VCC18A_MIPI2_3_RX.	1	-	-	$\mu\text{s}$

## MIPI Reset Timing

The MIPI RX and TX interfaces have two reset signals (RESET and RST0\_N) to reset the D-PHY controller logic. These signals are active low, and you should use them together to reset the MIPI interface.

The following waveform illustrates the minimum time required to reset the MIPI interface.

Figure 28: RESET and RST0\_N Timing Diagram

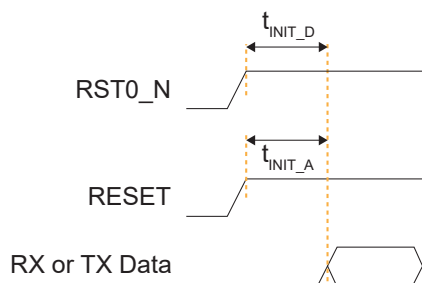


Table 65: MIPI Timing

Symbol	Parameter	Min	Typ	Max	Units
$t_{\text{INIT\_A}}$	Minimum time between the rising edge of RESET and the start of MIPI RX or TX data.	350	-	-	$\mu\text{s}$
$t_{\text{INIT\_D}}$	Minimum time between the rising edge of RST0_N and the start of MIPI RX or TX data.	1	-	-	clk

# Configuration Timing

The T13 FPGA has the following configuration timing specifications. Refer to [AN 006: Configuring Trion FPGAs](#) for detailed configuration information.

## Timing Waveforms

Figure 29: SPI Active Mode (x1) Timing Sequence

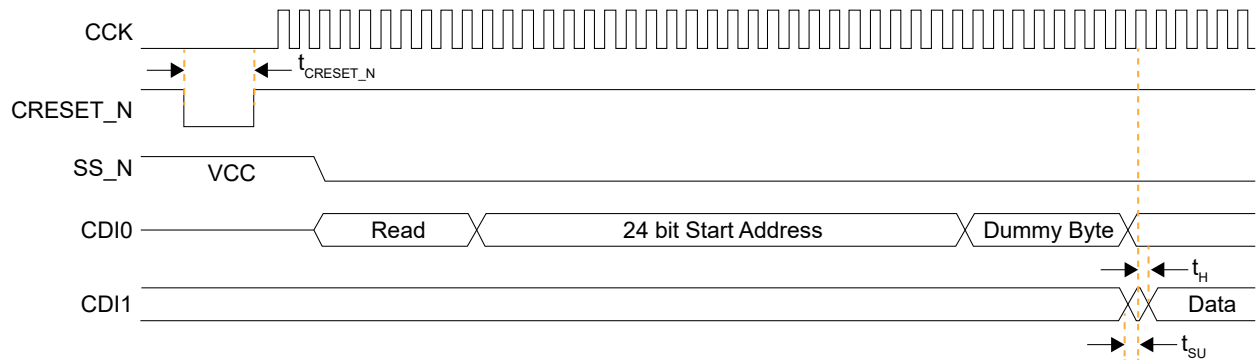


Figure 30: SPI Passive Mode (x1) Timing Sequence

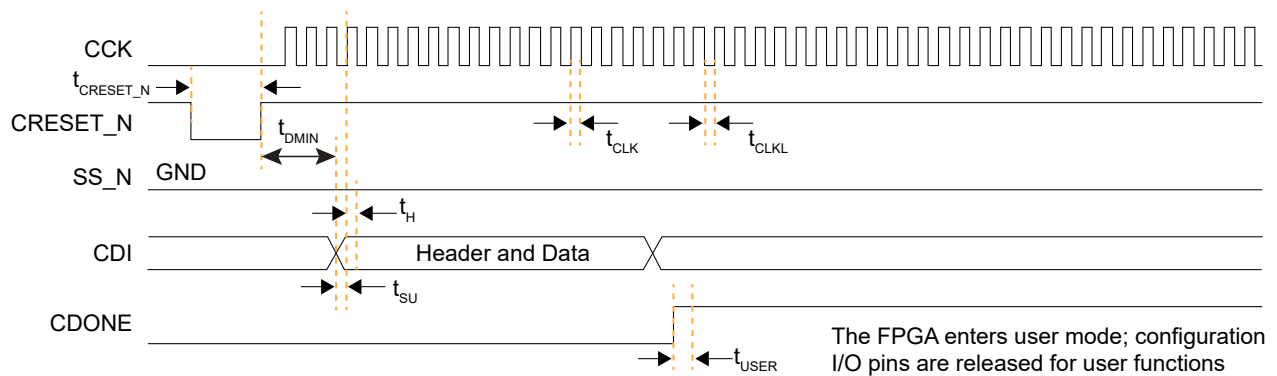
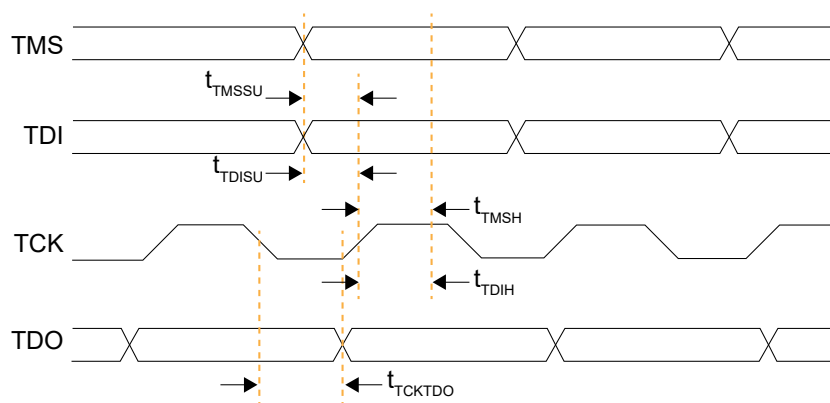


Figure 31: Boundary-Scan Timing Waveform



## Timing Parameters

**Table 66: All Modes**

Symbol	Parameter	Min	Typ	Max	Units
t <sub>CRESET_N</sub>	Minimum creset_n low pulse width required to trigger re-configuration.	320	-	-	ns
t <sub>USER</sub>	Minimum configuration duration after CDONE goes high before entering user mode. <sup>(15)(16)</sup> Test condition at 10 kΩ pull-up resistance and 10 pF output loading on CDONE pin.	12	-	(17)	μs

**Table 67: Active Mode**

Symbol	Parameter	Frequency	Min	Typ	Max	Units
f <sub>MAX_M</sub>	Active mode configuration clock frequency <sup>(18)</sup> .	DIV4	14	20	26	MHz
		DIV8	7	10	13	MHz
t <sub>SU</sub>	Setup time. Test condition at 3.3 V I/O standard and 0 pF output loading.	-	7.5	-	-	ns
t <sub>H</sub>	Hold time. Test condition at 3.3 V I/O standard and 0 pF output loading.	-	1	-	-	ns

**Table 68: Passive Mode**

Symbol	Parameter	Min	Typ	Max	Units
f <sub>MAX_S</sub>	Passive mode X1 configuration clock frequency.	-	-	25	MHz
	Passive mode X2, X4 or X8 configuration clock frequency.	-	-	50	MHz
t <sub>CLKH</sub>	Configuration clock pulse width high.	0.48*1/ f <sub>MAX_S</sub>	-	-	ns
t <sub>CLKL</sub>	Configuration clock pulse width low.	0.48*1/ f <sub>MAX_S</sub>	-	-	ns
t <sub>SU</sub>	Setup time.	6	-	-	ns
t <sub>H</sub>	Hold time.	1	-	-	ns
t <sub>DMIN</sub>	Minimum time between deassertion of CRESET_N to first valid configuration data.	1.2	-	-	μs

<sup>(15)</sup> The FPGA may go into user mode before t<sub>USER</sub> has elapsed. However, Efinix recommends that you keep the system interface to the FPGA in reset until t<sub>USER</sub> has elapsed.

<sup>(16)</sup> For JTAG programming, the min t<sub>USER</sub> configuration time is required after CDONE goes high and FPGA receives the ENTERUSER instruction from JTAG host (TAP controller in UPDATE\_IR state).

<sup>(17)</sup> See **Maximum t<sub>USER</sub> for SPI Active and Passive Modes** on page 49

<sup>(18)</sup> For parallel daisy chain x2 and x4, the active configuration clock frequency, f<sub>MAX\_M</sub>, is required to set to DIV4.

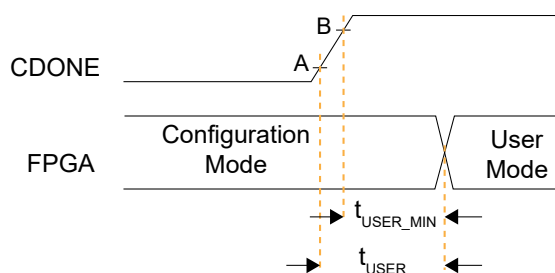


Table 69: JTAG Mode

Symbol	Parameter	Min	Typ	Max	Units
$f_{TCK}$	TCK frequency.	-	-	25	MHz
$t_{DISU}$	TDI setup time.	3.5	-	-	ns
$t_{DIH}$	TDI hold time.	1	-	-	ns
$t_{MSSU}$	TMS setup time.	3	-	-	ns
$t_{MSH}$	TMS hold time.	1	-	-	ns
$t_{CKTDO}$	TCK falling edge to TDO output.	-	-	10.5 <sup>(19)</sup>	ns

## Maximum $t_{USER}$ for SPI Active and Passive Modes

The following waveform illustrates the minimum and maximum values for  $t_{USER}$ .



- *Point A*—User-defined trigger point to start counter on  $t_{USER}$
- *Point B*— $V_{IH}$  (with Schmitt Trigger) of Trion I/Os

The maximum  $t_{USER}$  value can be derived based on the following formula:

Table 70:  $t_{USER}$  Maximum

Configuration Setup	$t_{USER}$ Maximum
Single Trion FPGA	$t_{USER} = t_{(from\ A\ to\ B)} + t_{USER\_MIN}$
Slave FPGA in a dual-Trion FPGA SPI chain	
Master FPGA in a dual-Trion FPGA SPI chain	$t_{USER} = (1344 / SPI\_WIDTH) * CCK\ period + t_{USER\_MIN} + t_{(from\ A\ to\ B)}$

<sup>(19)</sup> 0 pF output loading.

## PLL Timing and AC Characteristics

The following tables describe the PLL timing and AC characteristics.

**Table 71: PLL Timing**

Symbol	Parameter	Min	Typ	Max	Units
$F_{IN}^{(20)}$	Input clock frequency from core.	10	-	330	MHz
	Input clock frequency from GPIO.	10	-	200	MHz
	Input clock frequency from LVDS.	10	-	400	MHz
$F_{OUT}$	Output clock frequency.	0.24	-	500	MHz
$F_{VCO}$	PLL VCO frequency.	500	-	1,600	MHz
$F_{PFD}$	Phase frequency detector input frequency.	10	-	50	MHz

**Table 72: PLL AC Characteristics<sup>(21)</sup>**

Symbol	Parameter	Min	Typ	Max	Units
$t_{DT}$	Output clock duty cycle.	40	50	60	%
$t_{OPJIT} (PK - PK)$ (22)	Output clock period jitter (PK-PK).	-	-	200	ps
$t_{INDT}$	Input clock duty cycle.	45	-	55	%
$t_{LJIT} (PK - PK)$	Input clock long-term jitter (PK-PK)	-	-	800	ps
$t_{LOCK}$	PLL lock-in time.	-	-	0.5	ms

<sup>(20)</sup> When using the Dynamic clock source mode, the maximum input clock frequency is limited by the slowest clock frequency of the assigned clock source. For example, the maximum input clock frequency of a Dynamic clock source mode from core and GPIO is 200 MHz.

<sup>(21)</sup> Test conditions at 3.3 V and room temperature.

<sup>(22)</sup> The output jitter specification applies to the PLL jitter when an input jitter of 20 ps is applied.

# Pinout Description

The following tables describe the pinouts for power, ground, configuration, and interfaces.

**Table 73: General Pinouts**

Function	Group	Direction	Description
VCC	Power	-	Core power supply.
VCCA <sub>xx</sub>	Power	-	PLL analog power supply. <i>xx</i> indicates location: TL: Top left, TR: Top right, BR: bottom right
VCCIO <sub>xx</sub>	Power	-	I/O pin power supply. <i>xx</i> indicates the bank location: 1A: Bank 1A, 3E: Bank 3E 4A: Bank 4A (only for 3.3 V), 4B: Bank 4B (only for 3.3 V)
VCCIO <sub>xx_yy_zz</sub>	Power	-	Power for I/O banks that are shorted together. <i>xx</i> , <i>yy</i> , and <i>zz</i> are the bank locations. For example: VCCIO1B_1C shorts banks 1B and 1C VCCIO3C_TR_BR shorts banks 3C, TR, and BR
GND	Ground	-	Ground.
CLK <sub>n</sub>	Alternate	Input	Global clock network input. <i>n</i> is the number. The number of inputs is package dependent.
CTRL <sub>n</sub>	Alternate	Input	Global network input used for high fanout and global reset. <i>n</i> is the number. The number of inputs is package dependent.
PLLIN	Alternate	Input	PLL reference clock resource. There are 5 PLL reference clock resource assignments. Assign the reference clock resource based on the PLL you are using.
MREFCLK	Alternate	Input	MIPI PLL reference clock source.
GPIO <sub>x_n</sub>	GPIO	I/O	General-purpose I/O for user function. User I/O pins are single-ended. <i>x</i> : Indicates the bank (L or R) <i>n</i> : Indicates the GPIO number.
GPIO <sub>x_n_yyy</sub> GPIO <sub>x_n_yyy_zzz</sub> GPIO <sub>x_zzzn</sub>	GPIO Multi-Function	I/O	Multi-function, general-purpose I/O. These pins are single ended. If these pins are not used for their alternate function, you can use them as user I/O pins. <i>x</i> : Indicates the bank; left (L), right (R), or bottom (B). <i>n</i> : Indicates the GPIO number. <i>yyy</i> , <i>yyy_zzz</i> : Indicates the alternate function. <i>zzzn</i> : Indicates LVDS TX or RX and number.
TXN <sub>n</sub> , TXP <sub>n</sub>	LVDS	I/O	LVDS transmitter (TX). <i>n</i> : Indicates the number.
RXN <sub>n</sub> , RXP <sub>n</sub>	LVDS	I/O	LVDS receiver (RX). <i>n</i> : Indicates the number.
CLKN <sub>n</sub> , CLKP <sub>n</sub>	LVDS	I/O	Dedicated LVDS receiver clock input. <i>n</i> : Indicates the number.
RXN <sub>n_EXTFBn</sub> RXP <sub>n_EXTFBn</sub>	LVDS	I/O	LVDS PLL external feedback. <i>n</i> : Indicates the number.
REF_RES	-	-	REF_RES is a reference resistor to generate constant current for LVDS TX. Connect a 12 kΩ resistor with a tolerance of ±1% to the REF_RES pin with respect to ground. If none of the pins in a bank are used for LVDS, leave this pin floating.

**Table 74: Dedicated Configuration Pins**

These pins cannot be used as general-purpose I/O after configuration.

Pins	Direction	Description	Use External Weak Pull-Up
CDONE	Bidirectional	Configuration done status pin. CDONE is an open drain output; connect it to an external pull-up resistor to VCCIO. When CDONE = 1, configuration is complete. If you hold CDONE low, the device will not enter user mode.	✓
CRESET_N	Input	Initiates FPGA re-configuration (active low). Pulse CRESET_N low for a duration of $t_{\text{creset\_N}}$ before asserting CRESET_N from low to high to initiate FPGA re-configuration. This pin does not perform a system reset.	✓
TCK	Input	JTAG test clock input (TCK). The rising edge loads signals applied at the TAP input pins (TMS and TDI). The falling edge clocks out signals through the TAP TDO pin.	✓
TMS	Input	JTAG test mode select input (TMS). The I/O sequence on this input controls the test logic operation. The signal value typically changes on the falling edge of TCK. TMS is typically a weak pull-up; when it is not driven by an external source, the test logic perceives a logic 1.	✓
TDI	Input	JTAG test data input (TDI). Data applied at this serial input is fed into the instruction register or into a test data register depending on the sequence previously applied at TMS. Typically, the signal applied at TDI changes state following the falling edge of TCK while the registers shift in the value received on the rising edge. Like TMS, TDI is typically a weak pull-up; when it is not driven from an external source, the test logic perceives a logic 1.	✓
TDO	Output	JTAG test data output (TDO). This serial output from the test logic is fed from the instruction register or from a test data register depending on the sequence previously applied at TMS. During shifting, data applied at TDI appears at TDO after a number of cycles of TCK determined by the length of the register included in the serial path. The signal driven through TDO changes state following the falling edge of TCK. When data is not being shifted through the device, TDO is set to an inactive drive state (e.g., high-impedance).	✓



**Note:** All dedicated configuration pins have Schmitt Trigger buffer. See [Table 44: Single-Ended I/O and Dedicated Configuration Pins Schmitt Trigger Buffer Characteristic](#) on page 40 for the Schmitt Trigger buffer specifications.

**Table 75: Dual-Purpose Configuration Pins**

In user mode (after configuration), you can use these dual-purpose pins as general I/O.

Pins	Direction	Description	Use External Weak Pull-Up
CBUS[2:0]	Input	Configuration bus width select. Connect to weak pull-up resistors if using default mode (x1).	✓
CBSEL[1:0]	Input	Optional multi-image selection input (if external multi-image configuration mode is enabled).	N/A
CCK	I/O	Passive SPI input configuration clock or active SPI output configuration clock (active low). Includes an internal weak pull-up.	N/A
CDIn	I/O	<i>n</i> is a number from 0 to 31 depending on the SPI configuration. 0: Passive serial data input or active serial output. 1: Passive serial data output or active serial input. <i>n</i> : Parallel I/O. In multi-bit daisy chain connection, the CDIn (31:0) connects to the data bus in parallel.	N/A
CSI	Input	Chip select. 0: The FPGA is not selected or enabled and will not be configured. 1: Selects the FPGA for configuration (SPI and JTAG configuration).	✓
CSO	Output	Chip select output. Selects the next device for cascading configuration.	N/A
NSTATUS	Output	Status (active low). Indicates a configuration error. When the FPGA drives this pin low, it indicates an ID mismatch, the bitstream CRC check has failed, or remote update has failed.	N/A
SS_N	Input	SPI slave select (active low). Includes an internal weak pull-up resistor to VCCIO during configuration. During configuration, the logic level samples on this pin determine the configuration mode. This pin is an input when sampled at the start of configuration (SS is low); an output in active SPI flash configuration mode. The FPGA senses the value of SS_N when it comes out of reset (pulse CRESET_N low to high). 0: Passive mode 1: Active mode	✓
TEST_N	Input	Active-low test mode enable signal. Set to 1 to disable test mode. During configuration, rely on the external weak pull-up or drive this pin high.	✓
RESERVED_OUT	Output	Reserved pin during user configuration. This pin drives high during user configuration. BGA49 and BGA81 packages only.	N/A

**Table 76: MIPI Pinouts (Dedicated)**

*n* Indicates the number. *L* indicates the lane

Function	Group	Direction	Description
VCC25A_MIPI0 VCC25A_MIPI1	Power	-	MIPI 2.5 V analog power supply.
VCC12A_MIPI0_TX VCC12A_MIPI1_TX	Power	-	MIPI 1.2 V TX analog power supply.
VCC12A_MIPI0_RX VCC12A_MIPI1_RX	Power	-	MIPI 1.2 V RX analog power supply.
GNDA_MIPI	Ground	-	Ground for MIPI analog power supply.
MIPI <sub>n</sub> _TXDPL MIPI <sub>n</sub> _TXDNL	MIPI	I/O	MIPI differential transmit data lane.
MIPI <sub>n</sub> _RXDPL MIPI <sub>n</sub> _RXDNL	MIPI	I/O	MIPI differential receive data lane.
MREFCLK	Clock	Input	MIPI PLL reference clock source.

## Efinity Software Support

The Efinity<sup>®</sup> software provides a complete tool flow from RTL design to bitstream generation, including synthesis, place-and-route, and timing analysis. The software has a graphical user interface (GUI) that provides a visual way to set up projects, run the tool flow, and view results. The software also has a command-line flow and Tcl command console. The Efinity<sup>®</sup> software supports simulation flows using the ModelSim, NCSim, or free iVerilog simulators. An integrated hardware Debugger with Logic Analyzer and Virtual I/O debug cores helps you probe signals in your design. The software-generated bitstream file configures the T13 FPGA. The software supports the Verilog HDL and VHDL languages.

# T13 Interface Floorplan



**Note:** The numbers in the floorplan figures indicate the GPIO and LVDS number ranges. Some packages may not have all GPIO or LVDS pins in the range bonded out. Refer to the **T13 pinout** for information on which pins are available in each package.

Figure 32: Floorplan Diagram for BGA169 Packages (with MIPI)

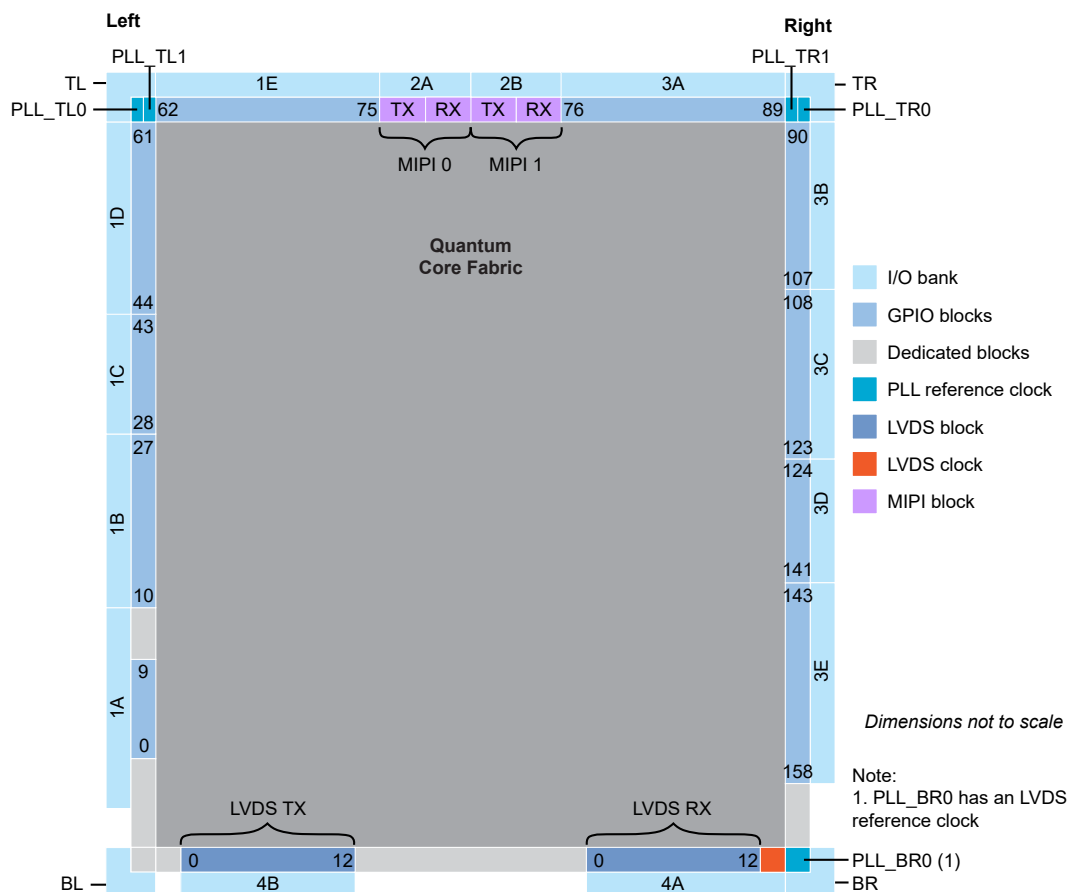
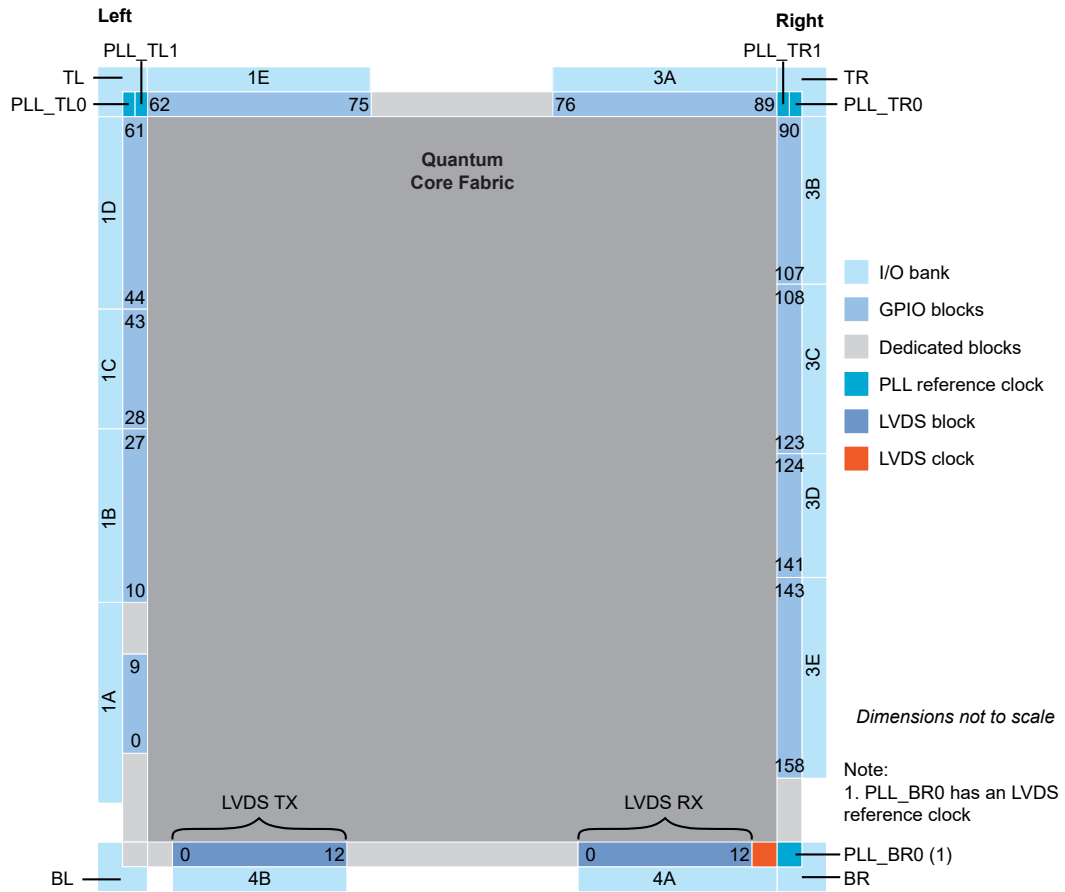


Figure 33: Floorplan Diagram for BGA256 Packages



## Ordering Codes

Refer to the [Trion Selector Guide](#) for the full listing of T13 ordering codes.



# Revision History

Table 77: Revision History

Date	Version	Description
January 2022	3.2	Corrected power supply ramp rate. (DOC-699)
January 2022	3.1	Removed LVDS Pins Configured as Single-Ended I/O Buffer Drive Strength Characteristics. (DOC-679) Added Output Differential Voltage with Reduce VOD Swing option enabled specs. (DOC-648) Added maximum I/O pin input current, $I_{IN}$ , and maximum per bank specs. (DOC-652) Added PLL input clock duty cycle, $t_{INDT}$ , specs. (DOC-661) Updated CDONE pin direction as bidirectional. (DOC-672)
November 2021	3.0	Added storage temperature, $T_{STG}$ spec. (DOC-560) Updated maximum JTAG mode TCK frequency, $f_{TCK}$ . (DOC-574) Updated CSI pin description. (DOC-546) Updated LVDS Pins Configured as Single-Ended I/O Buffer Drive Strength specifications. (DOC-578) Update LVDS standard compliance which is TIA/EIA-644. (DOC-592) Updated $t_{CLKH}$ and $t_{CLKL}$ , and corrected SPI Passive Mode (x1) Timing Sequence waveform. (DOC-590) Updated REF_RES_xx description. (DOC-602, DOC-605) Updated Maximum Toggle Rate table. (DOC-630) Updated minimum Power Supply Ramp Rates and Power Up Sequence figure. (DOC-631)
September 2021	2.14	Added Single-Ended I/O and LVDS Pins Configured as Single-Ended I/O Rise and Fall Time specs. (DOC-522) Added note to Active mode configuration clock frequency stating that for parallel daisy chain x2 and x4 configuration, $f_{MAX\_M}$ , must be set to DIV4. (DOC-528) Added Global Clock Location topic. (DOC-532) Added Maximum $t_{USER}$ for SPI Active and Passive Modes topic. (DOC-535)
August 2021	2.13	Added internal weak pull-up and pull-down resistor specs. (DOC-485) Updated table title for Single-Ended I/O Schmitt Trigger Buffer Characteristic. (DOC-507) Added note in Pinout Description stating all dedicated configuration pins have Schmitt Trigger buffer. (DOC-507)
June 2021	2.12	Updated CRESET_N pin description. (DOC-450)
April 2021	2.11	Updated PLL specs; $t_{LJIT}$ (PK - PK) and $t_{DT}$ . (DOC-403) Added note about limiting number of LVDS as GPIO output and bidirectional per I/O bank to avoid switching noise. (DOC-411)
March 2021	2.10	Added LVDS TX reference clock output duty cycle and lane-to-lane skew specs. (DOC-416)

Date	Version	Description
March 2021	2.9	Added automotive speed grade (Q4) specs for BGA169 package. (DOC-399)
February 2021	2.8	Added I/O input voltage, $V_{IN}$ specification. (DOC-389) Added LVDS TX data and timing relationship waveform. (DOC-359) Added LVDS RX I/O electrical specification waveform. (DOC-346)
December 2020	2.7	Updated NSTATUS pin description. (DOC-335) Added data for C4L and I4L DC speed grades. (DOC-268) Updated PLL reference clock input note by asking reader to refer to PLL Timing and AC Characteristics. (DOC-336) Added other PLL input clock frequency sources in PLL Timing and AC Characteristics. (DOC-336) Removed OE and RST from LVDS block as they are not supported in software. (DOC-328) Added a table to Power Up Sequence topic describing pin connection when PLL, GPIO, or MIPI is not used. (DOC-325) Updated $f_{MAX\_S}$ for passive configuration modes. (DOC-350) Updated $f_{MAX\_S}$ for passive configuration modes. (DOC-350)
September 2020	2.6	Updated pinout links. Corrected speed grades for single-ended I/O and LVDS configured as single-ended I/O $f_{MAX}$ .
August 2020	2.5	Update MIPI TX and RX Interface Block Diagram to include signal names. Updated REF_CLK description for clarity. Added recommended operating conditions and $f_{MAX}$ for C4L and I4L speed grades. Updated $t_{USER}$ timing parameter values and added a note about the conditions for the values. Updated description for GPIO pins state during configuration to exclude LVDS as GPIO. Added $f_{MAX}$ for single-ended I/O and LVDS configured as single-ended I/O. Added maximum power supply current transient during power-up.

Date	Version	Description
July 2020	2.4	<p>Removed preliminary note from MIPI electrical specifications and timing. These specifications are final.</p> <p>Updated timing parameter symbols in boundary scan timing waveform to reflect JTAG mode parameter symbols.</p> <p>Added supported GPIO features.</p> <p>Updated the maximum <math>F_{VCO}</math> for PLL to 1,600 MHz.</p> <p>Updated the C divider requirement for the 90 degrees phase shift in the PLL Interface Designer Settings - Manual Configuration Tab.</p> <p>Updated LVDS electrical specifications note about RX differential I/O standard support, and duplicated the note in LVDS functional description topic.</p> <p>Added note to LVDS RX interface block diagram.</p> <p>Added note to recommended power-up sequence about MIPI power guideline.</p> <p>Updated I/O bank names from TL_CORNER, BL_CORNER, TR_CORNER, and BR_CORNER to TL, BL, TR, and BR respectively.</p> <p>Updated the term DSP to multiplier.</p> <p>Updated power up sequence description about holding CRESET_N low.</p> <p>Updated PLLCLK pin name to PLL_CLKIN.</p> <p>Added PLL_EXTFB and MIPI_CLKIN as an alternative input in GPIO signals table for complex I/O buffer.</p> <p>Updated PLL names in PLL reference clock resource assignments.</p> <p>Updated supported configuration modes.</p> <p>Updated typical leakage current to 6.8 mA and add a note stating it is applicable to BGA256 package.</p>
February 2020	2.3	<p>Added <math>f_{MAX}</math> for DSP blocks and RAM blocks.</p> <p>In MIPI RX and TX interface description, updated maximum data pixels for RAW10 data type.</p> <p>Added MIPI reset timing information.</p> <p>Added Trion power-up sequence. MIPI power-up moved to this topic.</p> <p>VCC12A_MIPI_TX, VCC12A_MIPI_RX maximum recommended operating condition changed to 1.25 V.</p> <p>Added number of global clocks and controls that can come from GPIO pins to package resources table.</p>
December 2019	2.2	<p>Updated PLL Interface Designer settings.</p> <p>Removed MIPI data type bit settings. Refer to AN 015: Designing with the Trion MIPI Interface for the bit settings.</p> <p>Removed DIV1 and DIV2 active mode configuration frequencies; they are not supported.</p> <p>Added note to LVDS electrical specifications about RX differential I/O standard support.</p>
October 2019	2.1	<p>Added explanation that 2 unassigned pairs of LVDS pins should be located between and GPIO and LVDS pins in the same bank.</p> <p>Updated the reference clock pin assignments for TL_PLL0 and TL_PLL1.</p> <p>Added waveforms for configuration timing.</p>
August 2019	2.0	<p>Updated MIPI interface description.</p> <p>Under Ordering Codes, linked to Trion FPGA Selector Guide.</p>

Date	Version	Description
May 2019	1.0	Updated MIPI description, DC characteristics, and pin information. Updated timing specifications. Added information on the signal interface.
January 2019	0.5	Added information on DDIO support.
December 2018	0.4	Updated the package options.
November 2018	0.3	Added GNDA <sub>xx</sub> (PLL analog ground) to pinout. Change VSS <sub>xxA</sub> _MIPI pinout to GND <sub>xxA</sub> _MIPI. Updated PLL block diagram and clarified feedback paths. Added floorplan information. Updated pinout table. Updated packaging options.
October 2018	0.2	Updated LVDS serialization factors.
October 2018	0.1	Initial release.