

FEATURES

10W Constant Current with Dimming

LGUCD010 Series

- Universal AC Input 90~264Vac
- High Efficiency & High Power Factor
- Operation from - 20°C ~ 70°C
- IP67
- RoHS Compliant
- Certified to UL/cUL 8750



SPECIFICATIONS

Model#	Output Constant Current	Output Voltage Range (1)	Over Voltage Protection
LGU-010S017-068PSCD	680mA±10%	4~17V	23~27V
LGU-010S035-034PSCD	340mA±10%	4~35V	41~48V

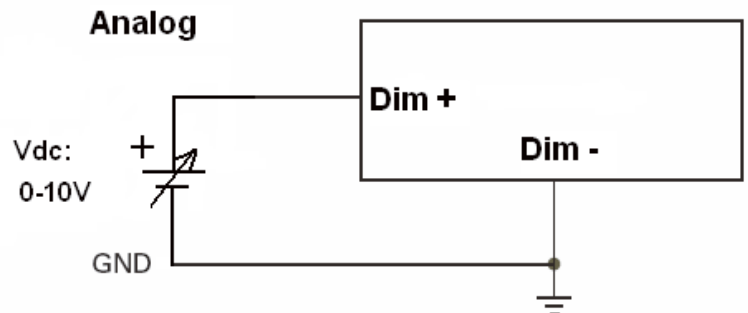
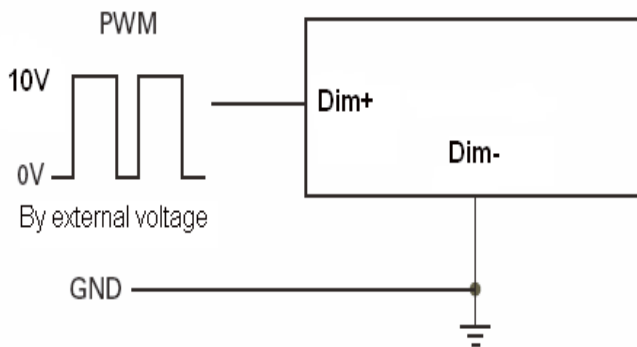
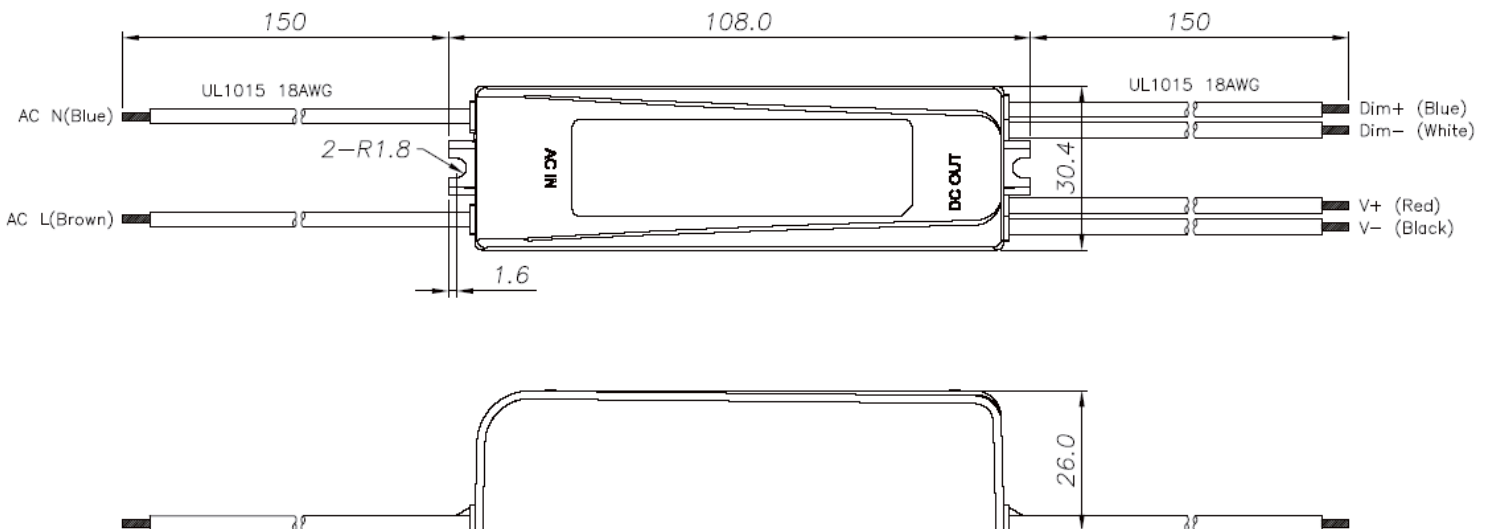
Output	PWM Dimming	0V<Vadj<10V (100HZ-3KHZ)	
	Rated Max. Power	12W	
	Turn-on Delay Time	<200ms at full load	
	Set up time	0.5s/230V AC 1s/115V AC at full load	
Input	Voltage Range	90V AC ~ 264V AC or 127V AC ~ 370V AC	
	Frequency Range	47Hz~63Hz	
	Power Factor Correction	>0.9/115V AC at full load	
	AC Current	0.2A at 115V AC / 0.1A at 230V AC	
	Inrush Current	11A at 115V AC / 15A at 230V AC	
	Leakage Current	<0.25mA / 240V AC	
Protecti ons	Over Load	100~135% rated output power recovers automatically after fault condition has been removed.	
	Short Circuit	Type: By constant current mode. Recovers automatically after fault condition is removed.	
Environmental	Temperature Range	Operational	-20°C~70°C (See derating curve)
		Storage	-40~+80°C
	Humidity	Operational	20%~95%RH
		Storage	10%~95% RH
Safety & EMC	Safety Standards	EN 61347-1, EN61347-2-13, IP67 Approved. UL1310	
	EMI Conduction & Radiation	Meet EN55015, FCC part 18/ class B	
	EMS Immunity	Meet EN61547, EN61000-4-2,3,4,5,6,8,11	
Others	MTBF	400k Hours	
	Dimensions	(L*W*H) 108*30.5*26mm	
	Weight	140g	



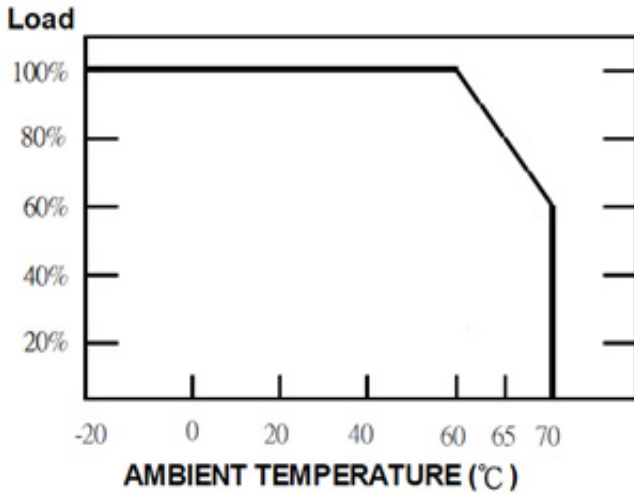
Notes:

1. All parameters NOT specially mentioned are measured at 230V AC input, rated load and 25°C ambient temperature.
2. The constant current operation region is within the specified output voltage range above. This is the suitable operation region for LED related applications.

Mechanical Specification



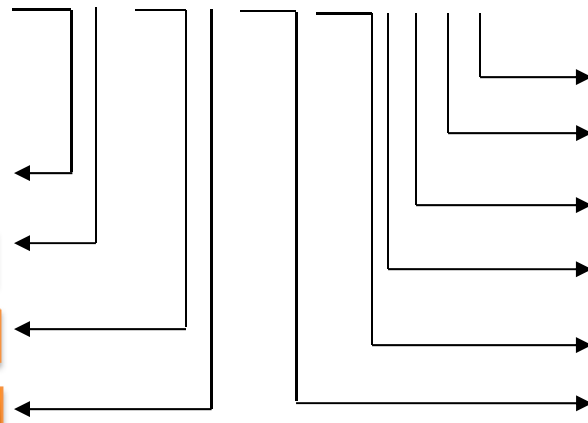
Derating Curve



PART NUMBER SCHEME

LGU-010S***-***PSCD

- L=Led Driver "G" Series
- U = Universal Input 90~264
- 010= Output Power (Watts)
- S= Single Output



- D= 0-10V Analog Dimming
P= PWM Dimming
- C= Constant Current
- S=Class II, 2 Wire Input
- P= Plastic Case
- ***= Current
- ***= Max Voltage

SPECIFICATIONS ARE SUBJECT TO CHANGE WITHOUT NOTICE. AUTEK IS NOT RESPONSIBLE FOR ISSUES ARISING FROM ERRORS OR OMMISIONS

